

VIADO
LIGHT



LED Floodlight



LED Linear wall washer



LED Wall luminaire



LED Luminaire



LED Ceiling Recessed luminaire



LED In-ground Luminaire



LED Underwater light



LED Underwater Light



252 254 256 258 260 262 264 266 268 270 272 274

LED Wall Light



276 278 278 280 282 282 284 284 286 288 290 292



294 295 296 298 300 301 302 304 306 308 310

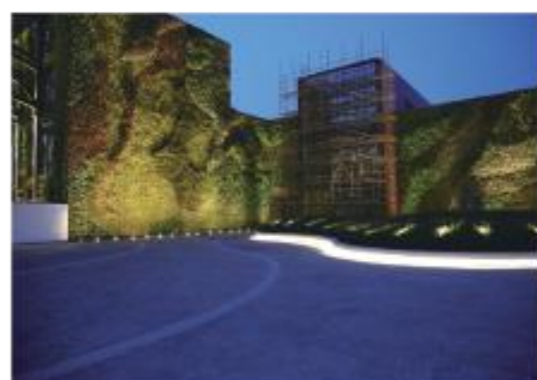
LED Garden Light



312 316 320 324 328 332 334 336 338 340 342 344



346 348 350 350.2 350.4 352 354 356 358 360 362 364



Projects and Cases

Projects and Cases



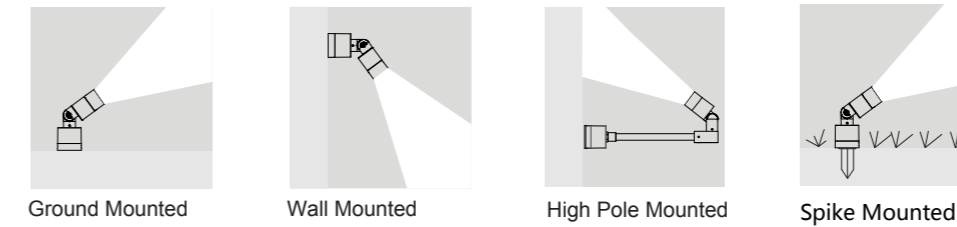
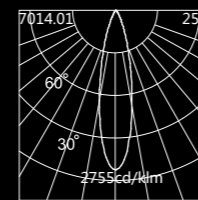
LED Floodlight IP65

LED Floodlight

AVX7014.XX 11W, AVX7021.XX 15W

This model is specially designed for medium power of COB LED, compact and widely applied, two kinds of watts for option. Die casting aluminum housing and optimized heat dissipation structure ensure longer lifetime and better stability. Precise lighting distribution, various lighting beam angles make it applied in different places and projects. 360°horizontal rotate and 180°vertical adjust.

Applied in different outdoor areas, such as architectures, buildings, lawn, garden and etc...



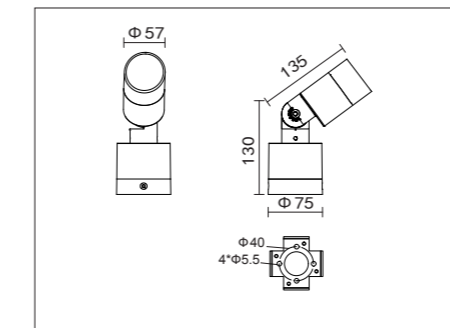
LED Floodlight

Technical Data : Die casting aluminum housing
PC reflector with high reflection, precise distribution
Optional lighting beam angles : 15°, 25°, 38°, 60°
Imported silicon rubber ring
High intensity tempered glass
Constant current driver
Stainless steel screws

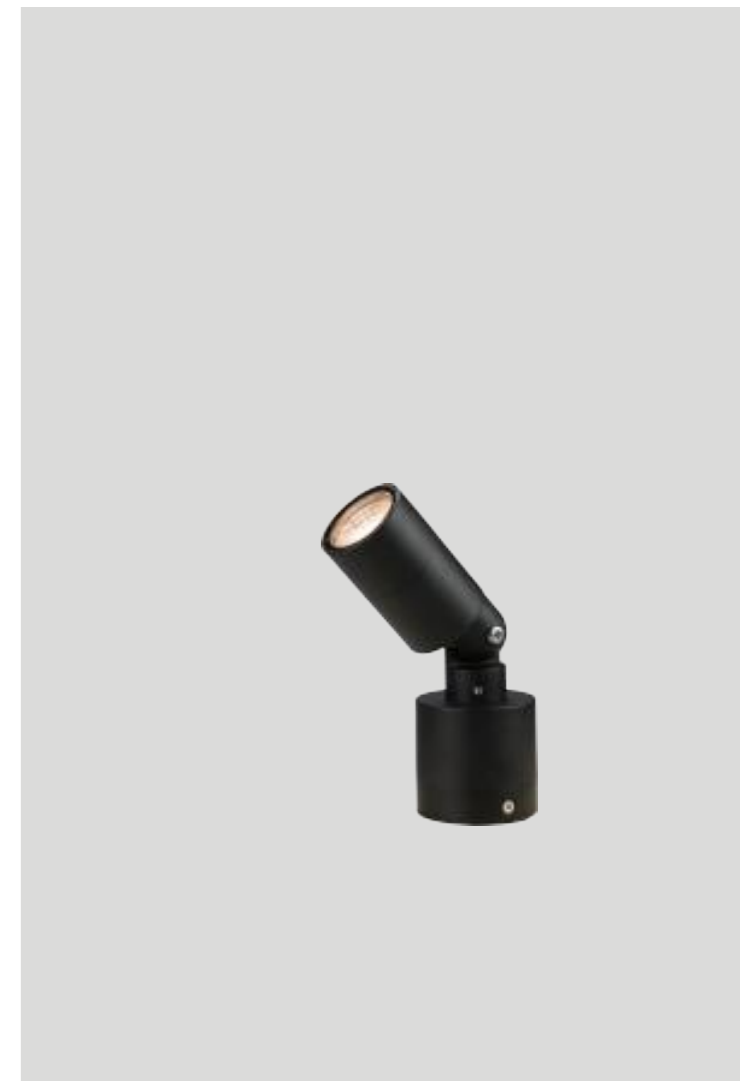
LED : COB LED
XX: 01=3000K, 08=4000K, 02=5000K

Protection Rating : IP65

Dimension



Model No.	Lamp	Luminous flux(lm)	Power(w)	CCT(k)	Beam angle	Voltage					
AVX7014.01	COB LED	1364	11	3000	25°	100V~240V	AH	AV	603	605	256
AVX7014.08	COB LED	1408	11	4000	25°	100V~240V	AH	AV	603	605	256
AVX7014.02	COB LED	1426	11	5000	25°	100V~240V	AH	AV	603	605	256
AVX7021.01	COB LED	1826	15	3000	25°	100V~240V	AH	AV	603	605	256
AVX7021.08	COB LED	1886	15	4000	25°	100V~240V	AH	AV	603	605	256
AVX7021.02	COB LED	1910	15	5000	25°	100V~240V	AH	AV	603	605	256



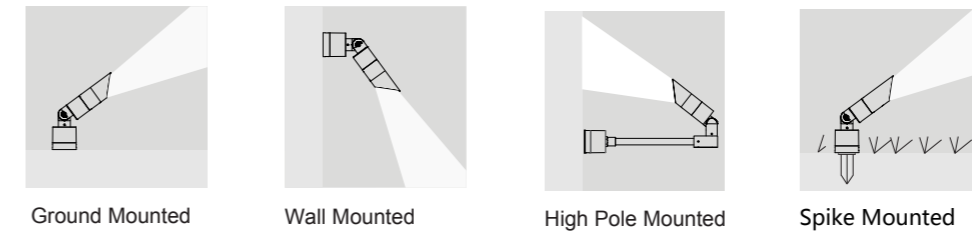
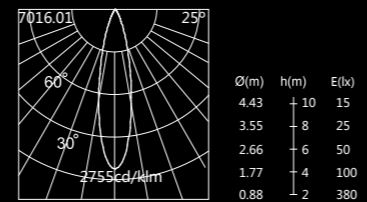
LED Floodlight

AVX7016.XX 11W, AVX7019.XX 15W

This model is specially designed for medium power of COB LED, compact and widely applied, two kinds of watts for option.

Die casting aluminum housing and optimized heat dissipation structure ensure longer lifetime and better stability. Precise lighting distribution, various lighting beam angles make it applied in different places and projects. 360°horizontal rotate and 180°vertical adjust.

Applied in different outdoor areas, such as architectures, buildings, lawn, garden and etc...



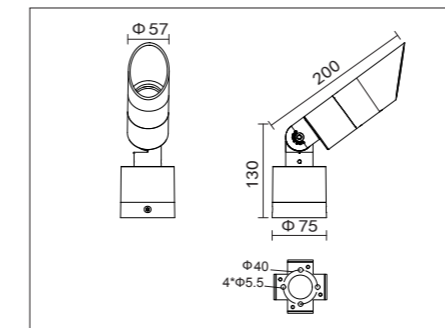
LED Floodlight

Technical Data : Die casting aluminum housing
 PC reflector with high reflection, precise distribution
 Optional lighting beam angles : 15° , 25° , 38° , 60°
 Imported silicon rubber ring
 High intensity tempered glass
 Constant current driver
 Stainless steel screws

LED : COB LED
 XX: 01=3000K, 08=4000K, 02=5000K

Protection Rating : IP65

Dimension



Model No.	Lamp	Luminous flux(lm)	Power(w)	CCT(k)	Beam angle	Voltage	Horizontal Spread Lighting Distribution	Vertical Spread Lighting Distribution	Spike	Fixing belt	Honey comb louver
AVX7016.01	COB LED	1364	11	3000	25°	100V~240V	AH	AV	603	605	256
AVX7016.08	COB LED	1408	11	4000	25°	100V~240V	AH	AV	603	605	256
AVX7016.02	COB LED	1426	11	5000	25°	100V~240V	AH	AV	603	605	256
AVX7019.01	COB LED	1826	15	3000	25°	100V~240V	AH	AV	603	605	256
AVX7019.08	COB LED	1886	15	4000	25°	100V~240V	AH	AV	603	605	256
AVX7019.02	COB LED	1910	15	5000	25°	100V~240V	AH	AV	603	605	256



Horizontal Spread Lighting Distribution | Vertical Spread Lighting Distribution | Spike | Fixing belt | Honey comb louver

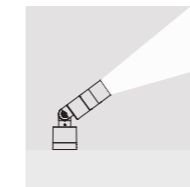
LED Floodlight

AVX7017.XX 11W, AVX7020.XX 15W

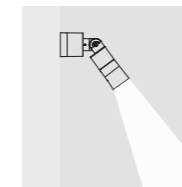
This model is specially designed for medium power of COB LED, compact and widely applied, two kinds of watts for option.

Die casting aluminum housing and optimized heat dissipation structure ensure longer lifetime and better stability. Precise lighting distribution, various lighting beam angles make it applied in different places and projects. 360°horizontal rotate and 180°vertical adjust.

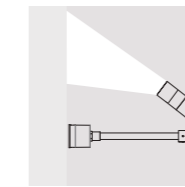
Applied in different outdoor areas, such as architectures, buildings, lawn, garden and etc...



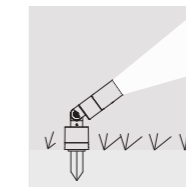
Ground Mounted



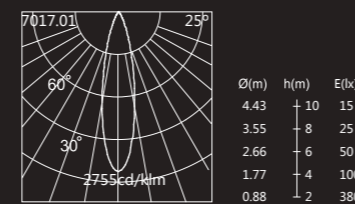
Wall Mounted



High Pole Mounted



Spike Mounted



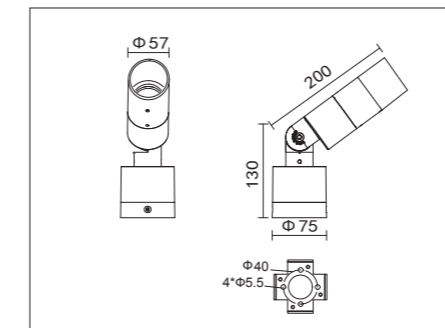
LED Floodlight

Technical Data : Die casting aluminum housing
 PC reflector with high reflection, precise distribution
 Optional lighting beam angles : 15° , 25° , 38° , 60°
 Imported silicon rubber ring
 High intensity tempered glass
 Constant current driver
 Stainless steel screws

LED : COB LED
 XX: 01=3000K, 08=4000K, 02=5000K

Protection Rating : IP65

Dimension



Model No.	Lamp	Luminous flux(lm)	Power(w)	CCT(k)	Beam angle	Voltage					
AVX7017.01	COB LED	1364	11	3000	25°	100V~240V	AH	AV	603	605	256
AVX7017.08	COB LED	1408	11	4000	25°	100V~240V	AH	AV	603	605	256
AVX7017.02	COB LED	1426	11	5000	25°	100V~240V	AH	AV	603	605	256
AVX7020.01	COB LED	1826	15	3000	25°	100V~240V	AH	AV	603	605	256
AVX7020.08	COB LED	1886	15	4000	25°	100V~240V	AH	AV	603	605	256
AVX7020.02	COB LED	1910	15	5000	25°	100V~240V	AH	AV	603	605	256



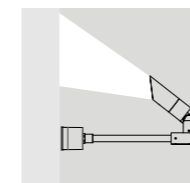
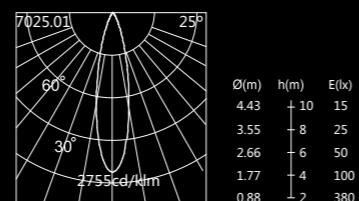
Horizontal Spread Lighting Distribution Vertical Spread Lighting Distribution Spike Fixing belt Honey comb louver

LED Floodlight

AVX7025.XX 11W, AVX7026.XX 15W

This model is specially designed for medium power of COB LED, compact and widely applied, two kinds of watts for option. Die casting aluminum housing and optimized heat dissipation structure ensure longer lifetime and better stability. Precise lighting distribution, various lighting beam angles make it applied in different places and projects. 360°horizontal rotate and 180°vertical adjust.

Applied in different outdoor areas, such as architectures, buildings, lawn, garden and etc...



Wall Mounted

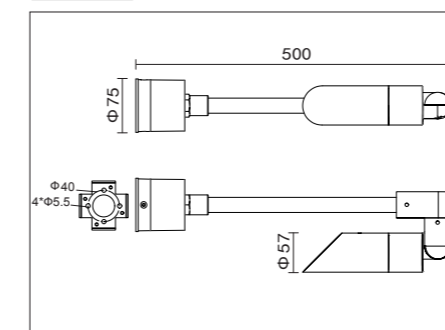
LED Floodlight

Technical Data : Die casting aluminum housing
 PC reflector with high reflection, precise distribution
 Optional lighting beam angles : 15° , 25° , 38° , 60°
 Imported silicon rubber ring
 High intensity tempered glass
 Constant current driver
 Stainless steel screws

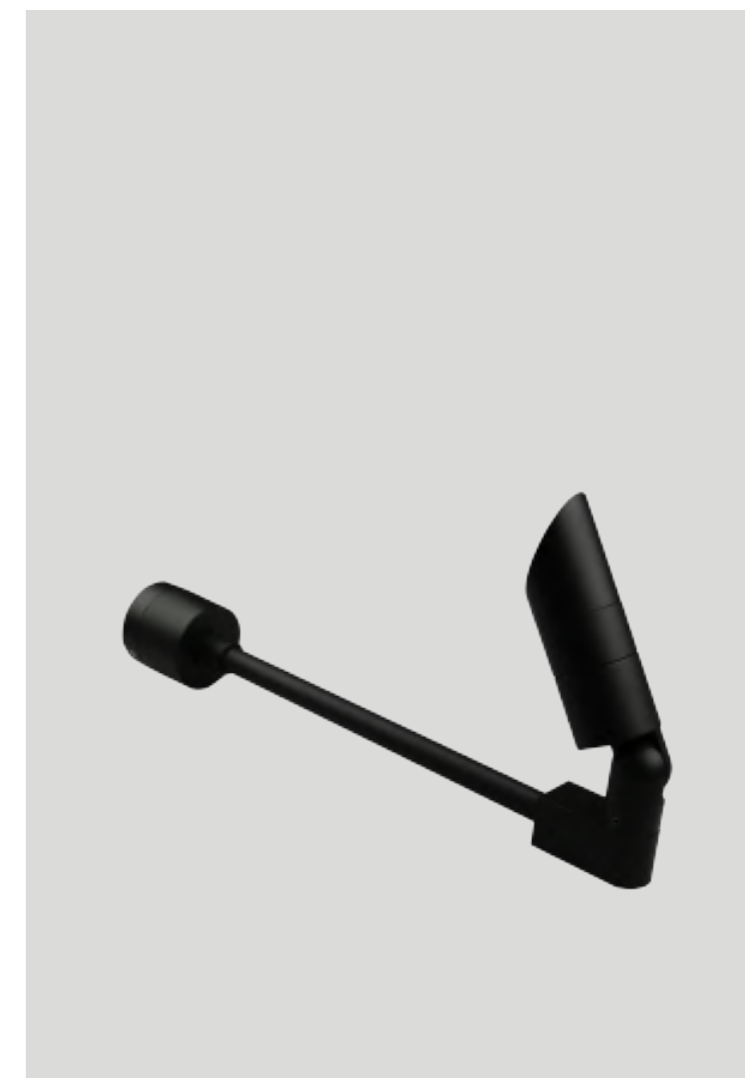
LED : COB LED
 XX: 01=3000K, 08=4000K, 02=5000K

Protection Rating : IP65

Dimension



Model No.	Lamp	Luminous flux(lm)	Power(w)	CCT(k)	Beam angle	Voltage	Horizontal Spread Lighting Distribution	Vertical Spread Lighting Distribution	Spike	Fixing belt	Honey comb louver
AVX7025.01	COB LED	1364	11	3000	25°	100V~240V	AH	AV	256		
AVX7025.08	COB LED	1408	11	4000	25°	100V~240V	AH	AV	256		
AVX7025.02	COB LED	1426	11	5000	25°	100V~240V	AH	AV	256		
AVX7026.01	COB LED	1826	15	3000	25°	100V~240V	AH	AV	256		
AVX7026.08	COB LED	1886	15	4000	25°	100V~240V	AH	AV	256		
AVX7026.02	COB LED	1910	15	5000	25°	100V~240V	AH	AV	256		



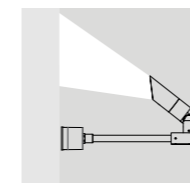
LED Floodlight

AVX7028.XX 11W x2, AVX7029.XX 15W x2

This model is specially designed for medium power of COB LED, compact and widely applied, two kinds of watts for option.

Die casting aluminum housing and optimized heat dissipation structure ensure longer lifetime and better stability. Precise lighting distribution, various lighting beam angles make it applied in different places and projects. 360°horizontal rotate and 180°vertical adjust.

Applied in different outdoor areas, such as architectures, buildings, lawn, garden and etc...



Wall Mounted

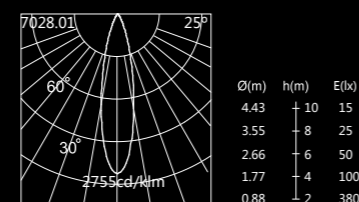
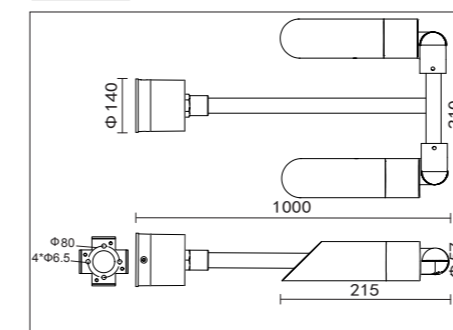
LED Floodlight

Technical Data : Die casting aluminum housing
PC reflector with high reflection, precise distribution
Optional lighting beam angles : 15°, 25°, 38°, 60°
Imported silicon rubber ring
High intensity tempered glass
Constant current driver
Stainless steel screws

LED : COB LED
XX: 01=3000K, 08=4000K, 02=5000K

Protection Rating : IP65

Dimension



Model No.	Lamp	Luminous flux(lm)	Power(w)	CCT(k)	Beam angle	Voltage	Beam angle icons
AVX7028.01	COB LED	1364x2	11 x2	3000	25°	100V~240V	AH AV 256
AVX7028.08	COB LED	1408x2	11 x2	4000	25°	100V~240V	AH AV 256
AVX7028.02	COB LED	1426x2	11 x2	5000	25°	100V~240V	AH AV 256
AVX7029.01	COB LED	1826x2	15 x2	3000	25°	100V~240V	AH AV 256
AVX7029.08	COB LED	1886x2	15 x2	4000	25°	100V~240V	AH AV 256
AVX7029.02	COB LED	1910x2	15 x2	5000	25°	100V~240V	AH AV 256

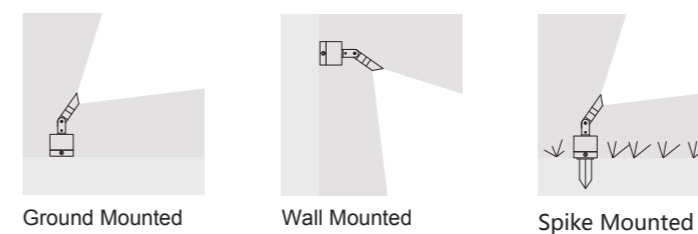


Mini LED spot light. Small dimension, widely applications

AVX7158.XX 3W

Made of die casting aluminum housing, high power LED chip fixed on housing tightly make heat conduct to housing efficiently, professional design of heat dissipation ensures reasonable housing dimension basing on LED power. Longer LED lifetime and better safety. Different and precise optics provide various lighting distributions for different applications, compact appearance. 360° adjustable forwarding, 180° vertical adjusting, flexible lighting to different buildings.

Professional designed for outdoor lighting and different designers requests. Applied widely in architectural lighting, green lighting, park lighting and etc.



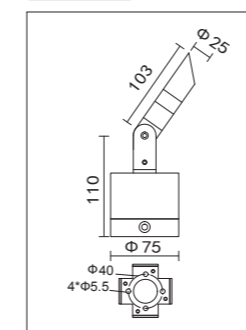
LED Floodlight

Technical Data : Die casting aluminum housing
PC reflector with high reflection, precise distribution
Optional lighting beam angles : 8° , 15° , 25° , 40° , 15°X30°
Imported silicon rubber ring
High intensity tempered glass
Constant current driver
Stainless steel screws

LED : High Power LED
XX: 01=3000K, 08=4000K, 02=6000K

Protection Rating : IP65

Dimension



Model No.	Lamp	Luminous flux(lm)	Power(w)	CCT(k)	Beam angle	Voltage				
AVX7158.01	LED	220	3	3000	25°	100V~240V	AH	AV	603	605
AVX7158.08	LED	230	3	4000	25°	100V~240V	AH	AV	603	605
AVX7158.02	LED	250	3	6000	25°	100V~240V	AH	AV	603	605

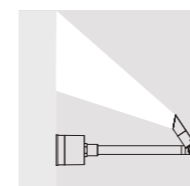
Horizontal Spread Lighting Distribution Vertical Spread Lighting Distribution Spike Fixing belt

Mini LED spot light with double heads. Small dimension, widely applications

AVX7169.XX 3W X2

Made of die casting aluminum housing, high power LED chip fixed on housing tightly make heat conduct to housing efficiently, professional design of heat dissipation ensures reasonable housing dimension basing on LED power. Longer LED lifetime and better safety. Different and precise optics provide various lighting distributions for different applications, compact appearance. 360° adjustable forwarding, 180° vertical adjusting, flexible lighting to different buildings.

Professional designed for outdoor lighting and different designers requests. Applied widely in architectural lighting, green lighting, park lighting and etc.



Wall Mounted

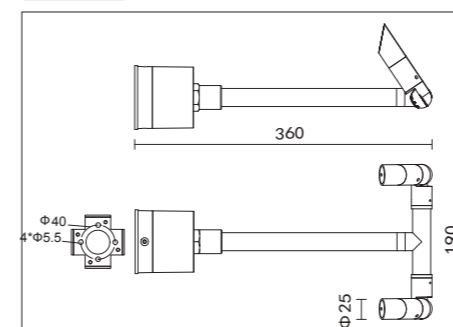
LED Floodlight



Technical Data : Die casting aluminum housing
PC reflector with high reflection, precise distribution
Optional lighting beam angles : 8° , 15° , 25° , 40° , 15°X30°
Imported silicon rubber ring
High intensity tempered glass
Constant current driver
Stainless steel screws

LED : High Power LED
XX: 01=3000K, 08=4000K, 02=6000K

Protection Rating : IP65

Dimension



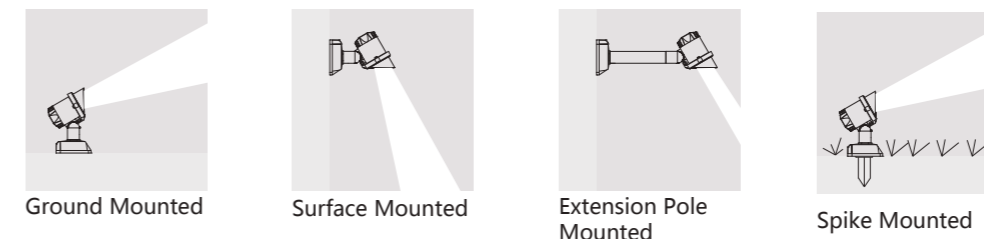
Model No.	Lamp	Luminous flux(lm)	Power(w)	CCT(k)	Beam angle	Voltage		
AVX7169.01	LED	220X2	3WX2	3000	25°	100V~240V	AH	AV
AVX7169.02	LED	250X2	3WX2	6000	25°	100V~240V	AH	AV

 Horizontal Spread Lighting Distribution  Vertical Spread Lighting Distribution

LED Floodlight Dubhe

AVX7309.XX 6W , AVX7310.XX 11W

This model is specially designed for small power of COB LED, compact and widely applied, two kinds of watts for option.
Die casting aluminum housing and optimized heat dissipation structure ensure longer lifetime and better stability. Precise lighting distribution, various lighting beam angles make Dubhe applied in different places and projects. Replaceable mounting base allows the cable out from bottom or side either.
Dubhe is applied in different outdoor areas, such as architectures, buildings, lawn, garden and etc...



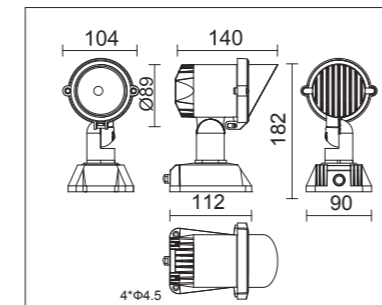
LED Floodlight

Technical Data : Die casting aluminum housing
Aluminum reflector with high reflection
Optional lighting beam angles : 15° , 30° , 45° , 20°x45°
Imported silicon rubber ring
High intensity tempered glass
Constant current driver
Stainless steel screws

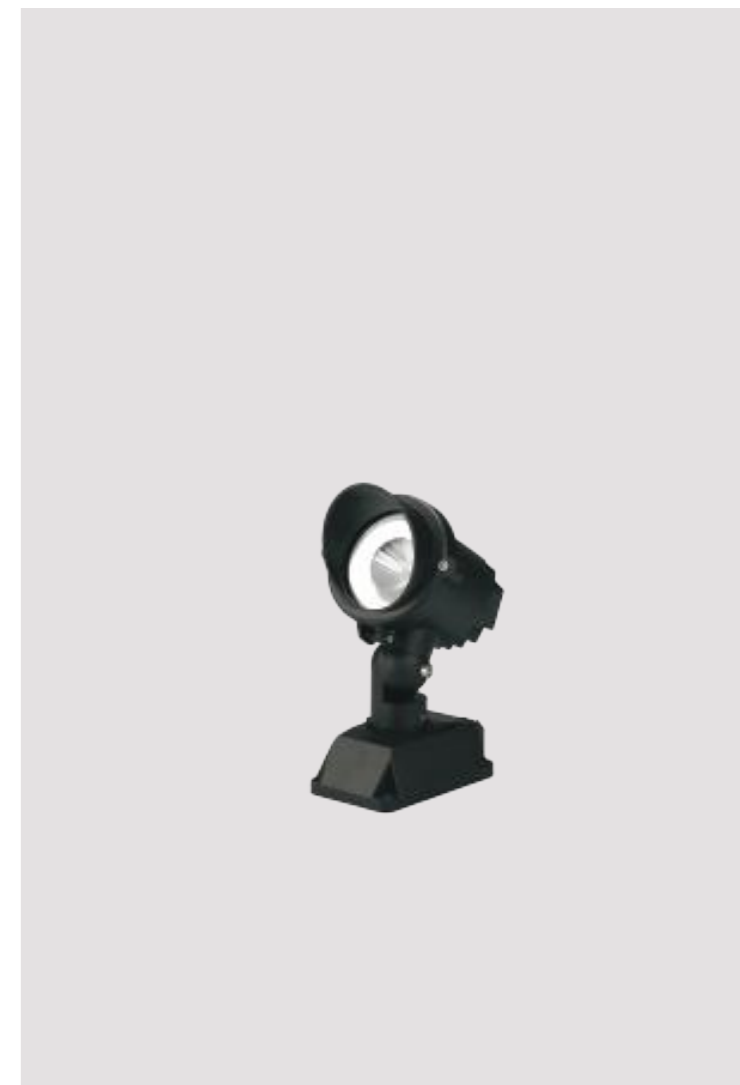
LED : COB LED
3000K, 4000K, 5000K

Protection Rating : IP65

Dimension



Model No.	Lamp	Luminous flux(lm)	Power(w)	CCT(k)	Beam angle	Voltage	Horizontal Spread Lighting Distribution	Vertical Spread Lighting Distribution	Cross baffle	Ring	Spike	Fixing belt	Concentric louver
AVX7309.01	COB LED	656	6	3000	30°	100V~240V	AH	AV	CC	CR	603	605	257
AVX7309.08	COB LED	675	6	4000	30°	100V~240V	AH	AV	CC	CR	603	605	257
AVX7309.02	COB LED	687	6	5000	30°	100V~240V	AH	AV	CC	CR	603	605	257
AVX7310.01	COB LED	1364	11	3000	30°	100V~240V	AH	AV	CC	CR	603	605	257
AVX7310.08	COB LED	1408	11	4000	30°	100V~240V	AH	AV	CC	CR	603	605	257
AVX7310.02	COB LED	1426	11	5000	30°	100V~240V	AH	AV	CC	CR	603	605	257



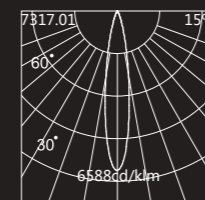
LED Floodlight Dubhe

AVX7317.XX 20W

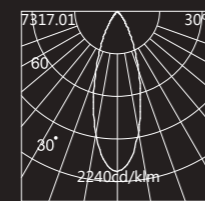
This model is specially designed for medium power of COB LED, compact and widely applied, two kinds of watts for option.

Die casting aluminum housing and optimized heat dissipation structure ensure longer lifetime and better stability. Precise lighting distribution, various of lighting beam angles make Dubhe applied in different places and projects. Replaceable mounting base allows the cable out from bottom or side both.

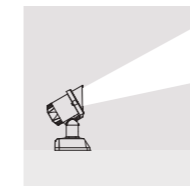
Dubhe is applied in different outdoor areas, such as architectures, buildings, lawn, garden and etc...



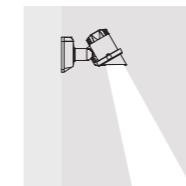
Ø(m)	h(m)	E lx
2.68	+ 10	104
2.15	+ 8	162
1.61	+ 6	288
1.07	+ 4	647
0.54	+ 2	2586



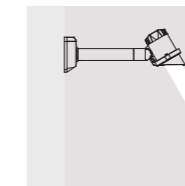
Ø(m)	h(m)	E lx
3.77	+ 8	63
2.83	+ 6	112
1.88	+ 4	252
0.94	+ 2	1007
0.47	+ 1	4028



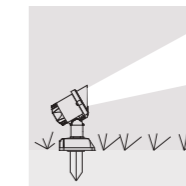
Ground Mounted



Surface Mounted



Extension Pole Mounted



Spike Mounted

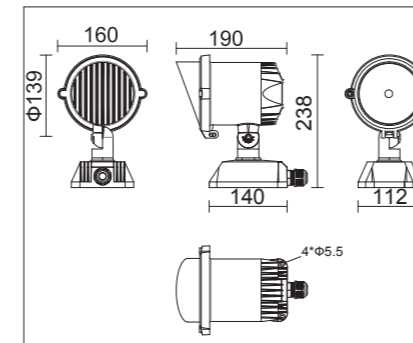
LED Floodlight

Technical Data : Die casting aluminum housing
 Aluminum reflector with high reflection
 Optional lighting beam angles : 15° , 30° , 45° , 20°x45°
 Imported silicon rubber ring
 High intensity tempered glass
 Constant current driver
 Stainless steel screws

LED : COB LED
 XX: 01=3000K, 08=4000K, 02=5000K

Protection Rating : IP65

Dimension



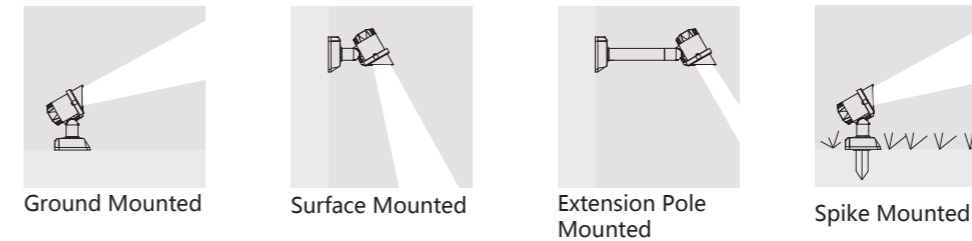
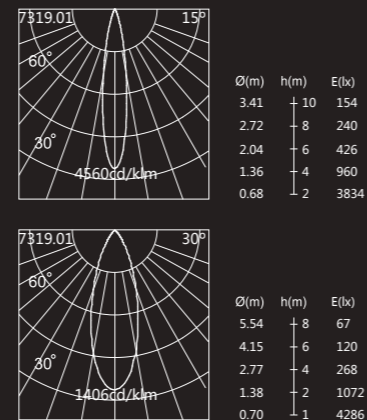
Model No.	Lamp	Luminous flux(lm)	Power(w)	CCT(k)	Beam angle	Voltage	Horizontal Spread Lighting Distribution	Vertical Spread Lighting Distribution	Cross baffle	Ring	Spike	Fixing belt	Concentric louver
AVX7317.01	COB LED	2619	20	3000	30°	100V~240V	AH	AV	CC	CR	603	605	258
AVX7317.08	COB LED	2702	20	4000	30°	100V~240V	AH	AV	CC	CR	603	605	258
AVX7317.02	COB LED	2737	20	5000	30°	100V~240V	AH	AV	CC	CR	603	605	258



LED Floodlight Dubhe

AVX7319.XX 36W

This model is specially designed for high power of COB LED, compact and widely applied, two kinds of watts for option.
 Die casting aluminum housing and optimized heat dissipation structure ensure longer lifetime and better stability. Precise lighting distribution, various of lighting beam angles make Dubhe applied in different places and projects.
 Replaceable mounting base allows the cable out from bottom or side both.
 Dubhe is applied in different outdoor areas, such as architectures, buildings, lawn, garden and etc...



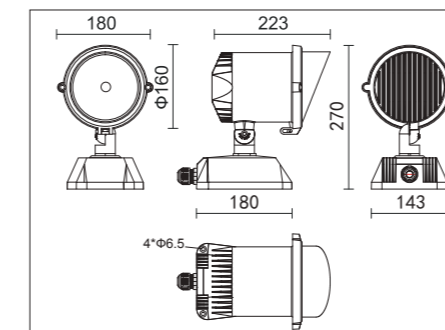
LED Floodlight

Technical Data : Die casting aluminum housing
 Aluminum reflector with high reflection
 Optional lighting beam angles : 15° , 30° , 45° , 20°x45°
 Imported silicon rubber ring
 High intensity tempered glass
 Constant current driver
 Stainless steel screws

LED : COB LED
 XX: 01=3000K, 08=4000K, 02=5000K

Protection Rating : IP65

Dimension



Model No.	Lamp	Luminous flux(lm)	Power(w)	CCT(k)	Beam angle	Voltage	Horizontal Spread Lighting Distribution	Vertical Spread Lighting Distribution	Cross baffle	Ring	Spike	Fixing belt	Concentric louver
AVX7319.01	COB LED	4815	36	3000	30°	100V~240V	■	■	○	○		⌋	⊙
AVX7319.08	COB LED	4964	36	4000	30°	100V~240V	■	■	○	○		⌋	⊙
AVX7319.02	COB LED	5034	36	5000	30°	100V~240V	■	■	○	○		⌋	⊙



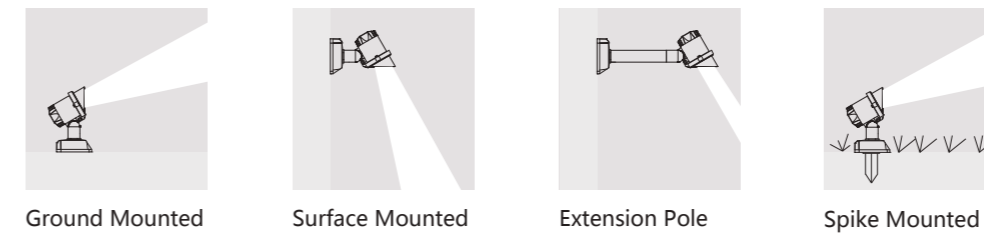
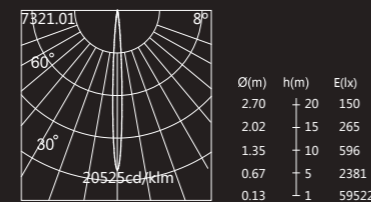
LED Floodlight Dubhe 8°

AVX7321.XX 28W, AVX7321.03 26W RGBW

This model is specially designed for high power of COB LED, compact and widely applied, two kinds of watts for option.

Die casting aluminum housing and optimized heat dissipation structure ensure longer lifetime and better stability. Precise lighting distribution, various of lighting beam angles make Dubhe applied in different places and projects. Replaceable mounting base allows the cable out from bottom or side both.

Dubhe is applied in different outdoor areas, such as architectures, buildings, lawn, garden and etc...



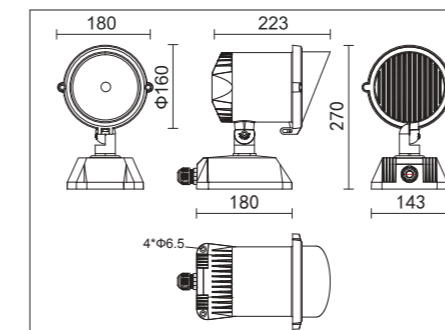
LED Floodlight

Technical Data : Die casting aluminum housing
 Aluminum reflector with high reflection
 Optional lighting beam angles : 8° , 18° , 36° , 72° , 25°x45°
 Imported silicon rubber ring
 High intensity tempered glass
 Constant current driver
 Stainless steel screws

LED : COB LED
 XX: 01=3000K, 08=4000K, 02=5000K, 03=RGBW

Protection Rating : IP65

Dimension



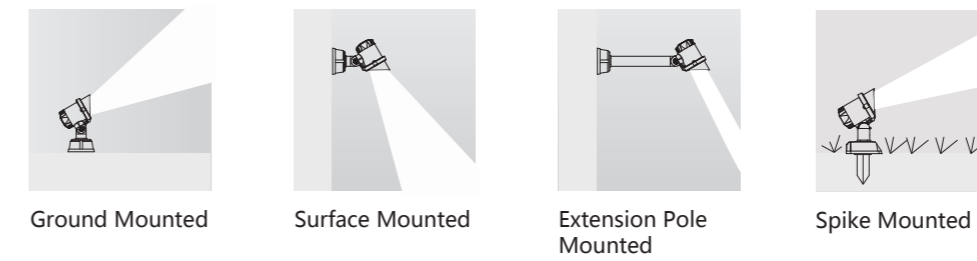
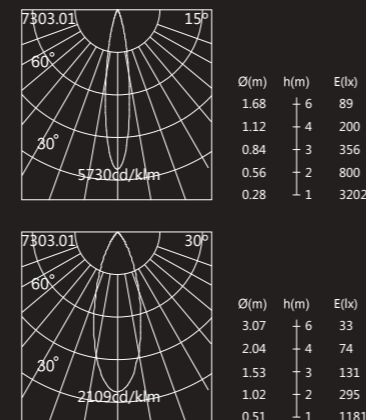
Model No.	Lamp	Luminous flux(lm)	Power(w)	CCT(k)	Beam angle	Voltage	Horizontal Spread Lighting Distribution	Vertical Spread Lighting Distribution	Cross baffle	Ring	Spike	Fixing belt	Concentric louver
AVX7321.01	COB LED	2900	28	3000	8°	100V~240V	AH	AV	CC	CR	603	605	259
AVX7321.08	COB LED	2900	28	4000	8°	100V~240V	AH	AV	CC	CR	603	605	259
AVX7321.02	COB LED	2900	28	5000	8°	100V~240V	AH	AV	CC	CR	603	605	259
AVX7321.03	COB LED	2200	26	RGBW	18°	100V~240V	AH	AV	CC	CR	603	605	259



LED Floodlight Dubhe I

AVX7303.XX 6W , AVX7304.XX 11W

This model is specially designed for small power of COB LED, compact and widely applied, two kinds of watts for option.
Die casting aluminum housing and optimized heat dissipation structure ensure longer lifetime and better stability. Precise lighting distribution, various lighting beam angles make Dubhe I applied in different places and projects. Replaceable mounting base allows the cable out from bottom or side either.
Dubhe I is applied in different outdoor areas, such as architectures, buildings, lawn, garden and etc...



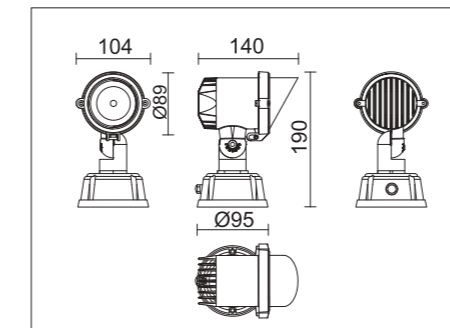
LED Floodlight

Technical Data : Die casting aluminum housing
Aluminum reflector with high reflection
Optional lighting beam angles : 15° , 30° , 45° , 20°x45°
Imported silicon rubber ring
High intensity tempered glass
Constant current driver
Stainless steel screws

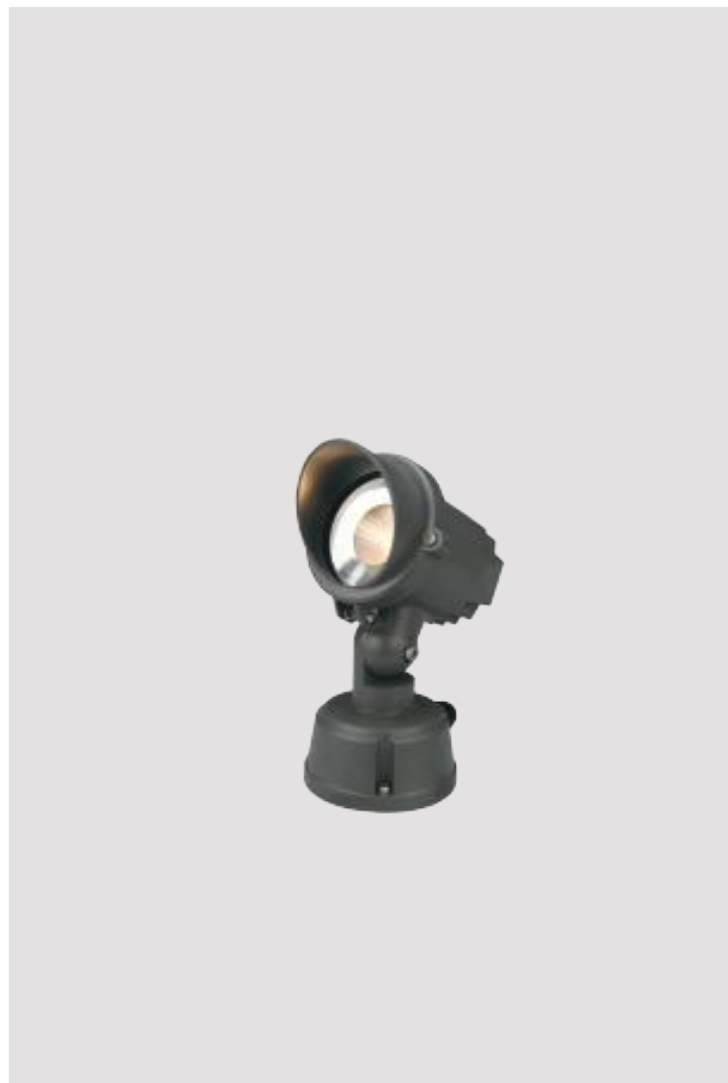
LED : COB LED
XX: 01=3000K, 08=4000K, 02=5000K

Protection Rating : IP65

Dimension



Model No.	Lamp	Luminous flux(lm)	Power(w)	CCT(k)	Beam angle	Voltage	Horizontal Spread Lighting Distribution	Vertical Spread Lighting Distribution	Cross baffle	Ring	Spike	Fixing belt	Concentric louver
AVX7303.01	COB LED	656	6	3000	30°	100V~240V	AH	AV	CC	CR	603	605	257
AVX7303.08	COB LED	675	6	4000	30°	100V~240V	AH	AV	CC	CR	603	605	257
AVX7303.02	COB LED	687	6	5000	30°	100V~240V	AH	AV	CC	CR	603	605	257
AVX7304.01	COB LED	1364	11	3000	30°	100V~240V	AH	AV	CC	CR	603	605	257
AVX7304.08	COB LED	1408	11	4000	30°	100V~240V	AH	AV	CC	CR	603	605	257
AVX7304.02	COB LED	1426	11	5000	30°	100V~240V	AH	AV	CC	CR	603	605	257



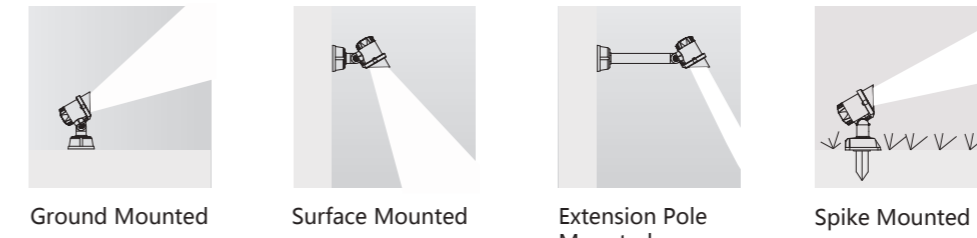
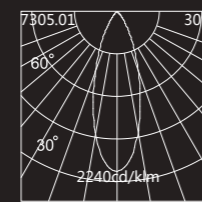
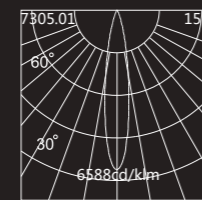
LED Floodlight Dubhe I

AVX7305.XX 20W

This model is specially designed for small power of COB LED, compact and widely applied, two kinds of watts for option.

Die casting aluminum housing and optimized heat dissipation structure ensure longer lifetime and better stability. Precise lighting distribution, various lighting beam angles make Dubhe I applied in different places and projects. Replaceable mounting base allows the cable out from bottom or side either.

Dubhe I is applied in different outdoor areas, such as architectures, buildings, lawn, garden and etc...



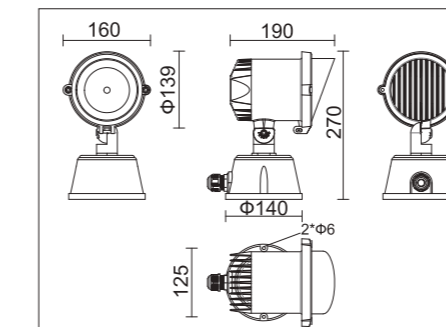
LED Floodlight

Technical Data : Die casting aluminum housing
Aluminum reflector with high reflection
Optional lighting beam angles : 15° , 30° , 45° , 20°x45°
Imported silicon rubber ring
High intensity tempered glass
Constant current driver
Stainless steel screws

LED : COB LED
XX: 01=3000K, 08=4000K, 02=5000K

Protection Rating : IP65

Dimension



Model No.	Lamp	Luminous flux(lm)	Power(w)	CCT(k)	Beam angle	Voltage	Horizontal Spread Lighting Distribution	Vertical Spread Lighting Distribution	Cross baffle	Ring	Spike	Fixing belt	Concentric louver
AVX7305.01	COB LED	2619	20	3000	30°	100V~240V	AH	AV	CC	CR	603	605	258
AVX7305.08	COB LED	2702	20	4000	30°	100V~240V	AH	AV	CC	CR	603	605	258
AVX7305.02	COB LED	2737	20	5000	30°	100V~240V	AH	AV	CC	CR	603	605	258



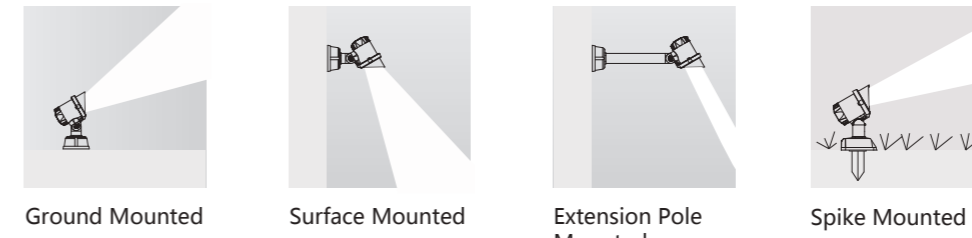
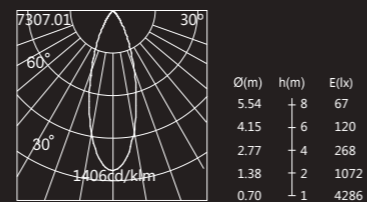
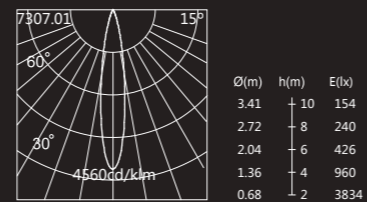
LED Dubhe I

AVX7307.XX 36W

This model is specially designed for small power of COB LED, compact and widely applied, two kinds of watts for option.

Die casting aluminum housing and optimized heat dissipation structure ensure longer lifetime and better stability. Precise lighting distribution, various lighting beam angles make Dubhe I applied in different places and projects. Replaceable mounting base allows the cable out from bottom or side either.

Dubhe I is applied in different outdoor areas, such as architectures, buildings, lawn, garden and etc...



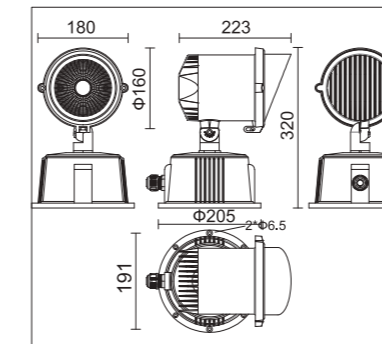
LED Floodlight

Technical Data : Die casting aluminum housing
 Aluminum reflector with high reflection
 Optional lighting beam angles : 15° , 30° , 45° , 20°x45°
 Imported silicon rubber ring
 High intensity tempered glass
 Constant current driver
 Stainless steel screws

LED : COB LED
 XX: 01=3000K, 08=4000K, 02=5000K

Protection Rating : IP65

Dimension



Model No.	Lamp	Luminous flux(lm)	Power(w)	CCT(k)	Beam angle	Voltage	Horizontal Spread Lighting Distribution	Vertical Spread Lighting Distribution	Cross baffle	Ring	Spike	Fixing belt	Concentric louver
AVX7307.01	COB LED	4815	36	3000	30°	100V~240V	■	■	○	○		⌋	⊗
AVX7307.08	COB LED	4964	36	4000	30°	100V~240V	■	■	○	○		⌋	⊗
AVX7307.02	COB LED	5034	36	5000	30°	100V~240V	■	■	○	○		⌋	⊗



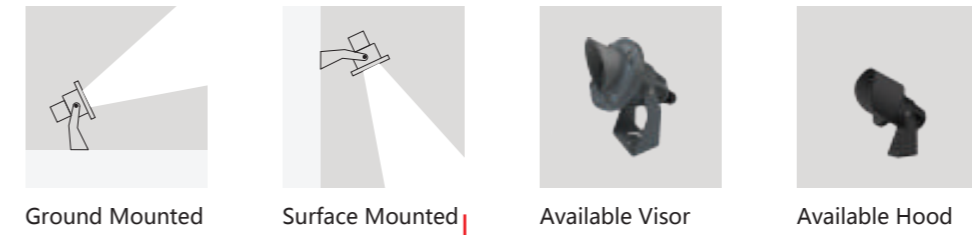
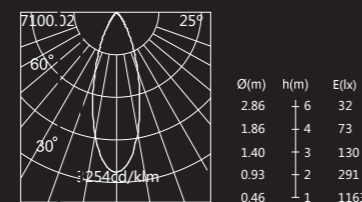
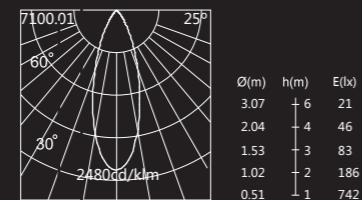
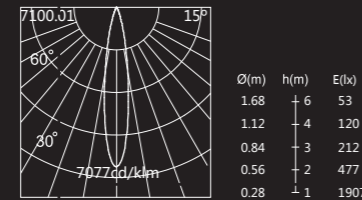
LED Floodlight MERAK

AVX7100.XX 4W

Merak serves as easily installation, compact and high power LED floodlight, simple but practical. Die casting aluminum housing and rugged bracket. Completed with USA CREE high brightness LED. Low energy consumption and fast starting. Advanced LED technology keeps Merak reliability and low cost of maintenance . IP65.

To protect Merak from corrosion of salty or seaside environment, more processes are needed and which must be clarified in advance. DMX system or Dimming is compatible and available.

Merak is applied widely in surface lighting of buildings, accent lighting, sculptures, artistic decoration, bushes, trees ,corridors of garden and other places..



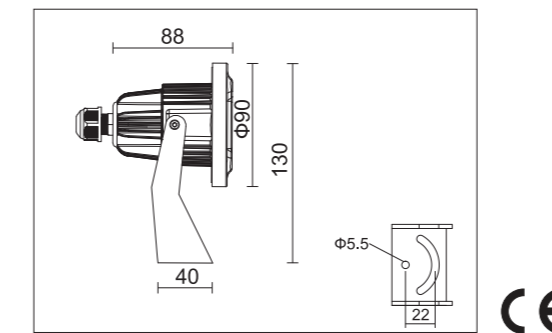
LED Floodlight

Technical Data : Die casting aluminum housing
 Precise optical lens and lighting distribution
 Optional lighting beam angles : 5°,15°,25°,38°,45°,60°,15°*50°,10°*60°,15°*35°
 Imported silicon rubber ring
 High intensity tempered glass
 Constant current driver
 Stainless steel screws
 Adjustable mounting bracket

LED : High Power Led
 AVX7100: 1w x3 350mA
 XX: 01=3000K, 02=6000K

Protection Rating : IP65

Dimension



Model No.	Lamp	Luminous Flux(lm)	Power(w)	CCT(k)	Beam Angle	Voltage	Horizontal Spread Lighting Distribution	Vertical Spread Lighting Distribution	Visor	Hood	Spike	Fixing belt
AVX7100.01	LED	329	4	3000	25°	100V~240V	AH AV	312	327	603	605	
AVX7100.02	LED	375	4	6000	25°	100V~240V	AH AV	312	327	603	605	



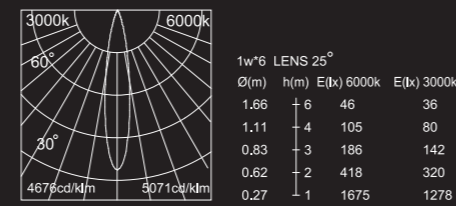
LED Floodlight MERAK

AVX7102.XX 8W, AVX7104.XX 12W

Merak serves as easily installation, compact and high power LED floodlight, simple but practical. Die casting aluminum housing and rugged bracket. Completed with USA CREE high brightness LED. Low energy consumption and fast starting. Advanced LED technology keeps Merak reliability and low cost of maintenance . IP65.

To protect Merak from corrosion of salty or seaside environment, more processes are needed and which must be clarified in advance. DMX system or Dimming is compatible and available.

Merak is applied widely in surface lighting of buildings, accent lighting, sculptures, artistic decoration, bushes, trees ,corridors of garden and other places..



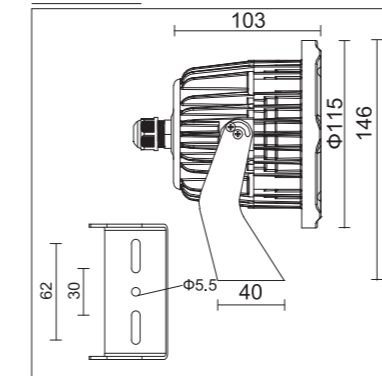
LED Floodlight

Technical Data : Die casting aluminum housing
 Precise optical lens and lighting distribution
 Optional lighting beam angles : 5°,15°,25°,38°,45°,60°,15°*50°,10°*60°,15°*35°
 Imported silicon rubber ring
 High intensity tempered glass
 Constant current driver
 Stainless steel screws
 Adjustable mounting bracket

LED : High Power Led
 AVX7102: 1w x6 350mA, AVX7104: 1.5w x6 500mA
 XX: 01=3000K, 02=6000K

Protection Rating : IP65

Dimension



Model No.	Lamp	Luminous Flux(lm)	Power(w)	CCT(k)	Beam Angle	Voltage	Horizontal Spread Lighting Distribution	Vertical Spread Lighting Distribution	Visor	Hood	Spike	Fixing belt
AVX7102.01	LED	744	8	3000	25°	100V~240V	AH	AV	313	328	603	605
AVX7102.02	LED	852	8	6000	25°	100V~240V	AH	AV	313	328	603	605
AVX7104.01	LED	996	12	3000	25°	100V~240V	AH	AV	313	328	603	605
AVX7104.02	LED	1134	12	6000	25°	100V~240V	AH	AV	313	328	603	605



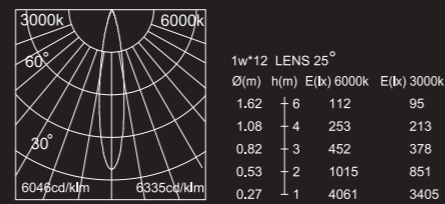
LED Floodlight MERAK

AVX7106.XX 11W, AVX7112.XX 13W

Merak serves as easily installation, compact and high power LED floodlight, simple but practical. Die casting aluminum housing and rugged bracket. Completed with USA CREE high brightness LED. Low energy consumption and fast starting. Advanced LED technology keeps Merak reliability and low cost of maintenance . IP65.

To protect Merak from corrosion of salty or seaside environment, more processes are needed and which must be clarified in advance. DMX system or Dimming is compatible and available.

Merak is applied widely in surface lighting of buildings, accent lighting, sculptures, artistic decoration, bushes, trees ,corridors of garden and other places..

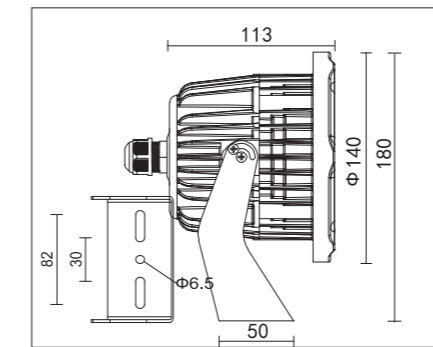


LED Floodlight

Technical Data : Die casting aluminum housing
 Precise optical lens and lighting distribution
 Optional lighting beam angles:AVX7106: 5°,15°,25°,38°,45°,60°,15°*50°,10°*60°,15°*35°
 AVX7112: 5°, 15°, 25°, 38°, 45°, 60°, 15°*35°
 Imported silicon rubber ring
 High intensity tempered glass
 Constant current driver
 Stainless steel screws
 Adjustable mounting bracket
 LED: High Power Led AVX7106: 1w x9 350mA, AVX7112: 1w x12 350mA
 XX: 01=3000K, 02=6000K

Protection Rating : IP65

Dimension



Model No.	Lamp	Luminous Flux(lm)	Power(w)	CCT(k)	Beam Angle	Voltage	Horizontal Spread Lighting Distribution	Vertical Spread Lighting Distribution	Visor	Hood	Spike	Fixing belt
AVX7106.01	LED	990	11	3000	15°	100V~240V	■	■	▽	□		⌋
AVX7106.02	LED	1125	11	6000	15°	100V~240V	■	■	▽	□		⌋
AVX7106.03	LED	780	11	RGB	15°	24V.DC	■	■	▽	□		⌋
AVX7112.01	LED	1320	13	3000	25°	100V~240V	■	■	▽	□		⌋
AVX7112.02	LED	1500	13	6000	25°	100V~240V	■	■	▽	□		⌋
AVX7112.03	LED	950	13	RGB	25°	24V.DC	■	■	▽	□		⌋



LED Floodlight MERAK I

AVX7008.XX 4W

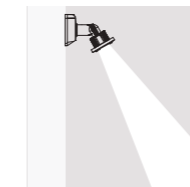
Merak I serves as easily installation, compact and high power LED floodlight, simple but practical. Die casting aluminum housing and rugged bracket. Completed with USA CREE high brightness LED. Low energy consumption and fast starting. Advanced LED technology keeps Merak I reliability and low cost of maintenance . IP65.

To protect Merak I from corrosion of salty or seaside environment, more processes are needed and which must be clarified in advance. DMX system or Dimming is compatible and available.

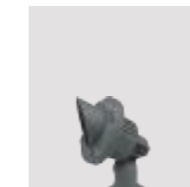
Merak I is applied widely in surface lighting of buildings, accent lighting, sculptures, artistic decoration, bushes, trees ,corridors of garden and other places..



Ground Mounted



Surface Mounted



Available Visor



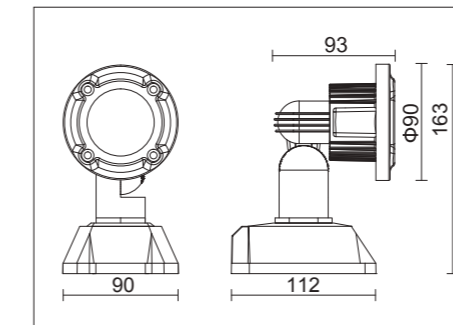
Available Hood

LED Floodlight

Technical Data : Die casting aluminum housing
 Precise optical lens and lighting distribution
 Optional lighting beam angles: : 5°,15°,25°,38°,45°,60°,15°*50°,10°*60°,15°*35°
 Imported silicon rubber ring
 High intensity tempered glass
 Constant current driver
 Stainless steel screws
 Adjustable mounting bracket
 LED: High Power LED, AVX7008: 1w x3 350mA
 XX: 01=3000K, 02=6000K

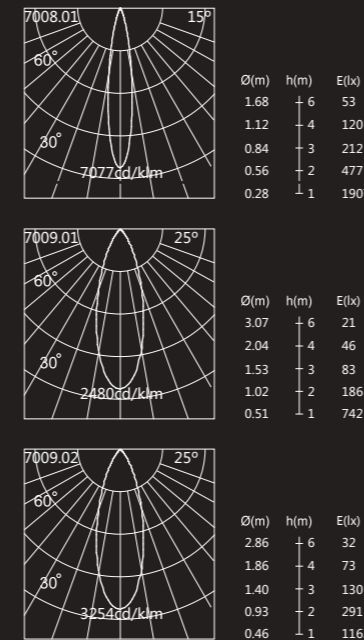
Protection Rating : IP65

Dimension



Model No.	Lamp	Luminous Flux(lm)	Power(w)	CCT(k)	Beam Angle	Voltage						
AVX7008.01	LED	329	4	3000	25°	100V~240V	AH	AV	312	327	603	605
AVX7008.02	LED	375	4	6000	25°	100V~240V	AH	AV	312	327	603	605

Horizontal Spread Lighting Distribution Vertical Spread Lighting Distribution Visor Hood Spike Fixing belt



LED Floodlight MERAK I

AVX7010.XX 8W, AVX7011.XX 12W

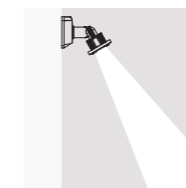
Merak I serves as easily installation, compact and high power LED floodlight, simple but practical. Die casting aluminum housing and rugged bracket. Completed with USA CREE high brightness LED. Low energy consumption and fast starting. Advanced LED technology keeps Merak I reliability and low cost of maintenance . IP65.

To protect Merak I from corrosion of salty or seaside environment, more processes are needed and which must be clarified in advance. DMX system or Dimming is compatible and available.

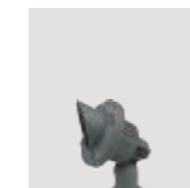
Merak I is applied widely in surface lighting of buildings, accent lighting, sculptures, artistic decoration, bushes, trees ,corridors of garden and other places..



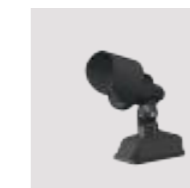
Ground Mounted



Surface Mounted



Available Visor



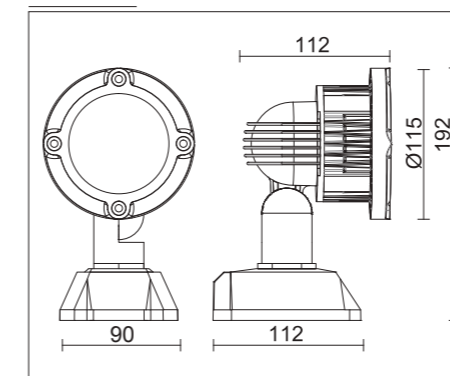
Available Hood

LED Floodlight

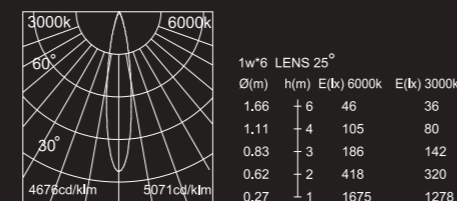
Technical Data : Die casting aluminum housing
 Precise optical lens and lighting distribution
 Optional lighting beam angles: : 5°,15°,25°,38°,45°,60°,15°*50°,10°*60°,15°*35°
 Imported silicon rubber ring
 High intensity tempered glass
 Constant current driver
 Stainless steel screws
 Adjustable mounting bracket
 LED: High Power LED, AVX7010: 1w x6 350mA, AVX7011: 1.5w x6 500mA
 XX: 01=3000K, 02=6000K, 03=R.G.B

Protection Rating : IP65

Dimension



Model No.	Lamp	Luminous Flux(lm)	Power(w)	CCT(k)	Beam Angle	Voltage	Horizontal Spread Lighting Distribution	Vertical Spread Lighting Distribution	Visor	Hood	Spike	Fixing belt
AVX7010.01	LED	744	8	3000	25°	100V~240V	AH	AV	313	328	603	605
AVX7010.02	LED	852	8	6000	25°	100V~240V	AH	AV	313	328	603	605
AVX7011.01	LED	996	12	3000	25°	100V~240V	AH	AV	313	328	603	605
AVX7011.02	LED	1134	12	6000	25°	100V~240V	AH	AV	313	328	603	605



Horizontal Spread Lighting Distribution Vertical Spread Lighting Distribution Visor Hood Spike Fixing belt

LED Floodlight MERAK I

AVX7013.XX 11W, AVX7015.XX 13W

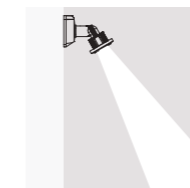
Merak I serves as easily installation, compact and high power LED floodlight, simple but practical. Die casting aluminum housing and rugged bracket. Completed with USA CREE high brightness LED. Low energy consumption and fast starting. Advanced LED technology keeps Merak I reliability and low cost of maintenance . IP65.

To protect Merak I from corrosion of salty or seaside environment, more processes are needed and which must be clarified in advance. DMX system or Dimming is compatible and available.

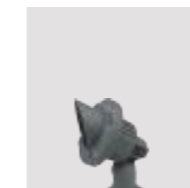
Merak I is applied widely in surface lighting of buildings, accent lighting, sculptures, artistic decoration, bushes, trees ,corridors of garden and other places..



Ground Mounted



Surface Mounted



Available Visor



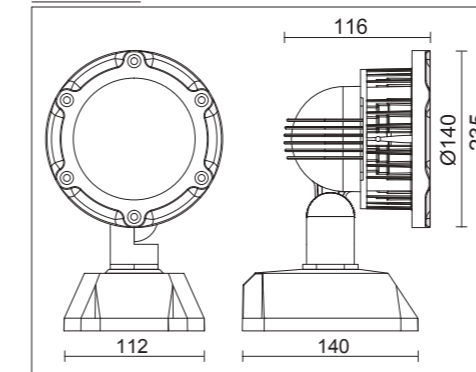
Available Hood

LED Floodlight

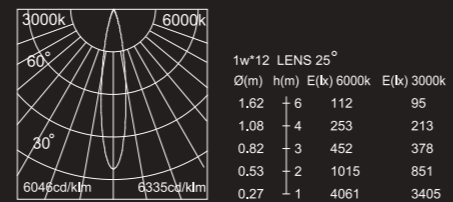
Technical Data : Die casting aluminum housing
 Precise optical lens and lighting distribution
 Optional lighting beam angles: AVX7013: 5°,15°,25°,38°,45°,60°,15°*50°,10°*60°,15°*35°
 AVX7015: 5°, 15°, 25°, 38°, 45°, 60°, 15°*35°
 Imported silicon rubber ring
 High intensity tempered glass
 Constant current driver
 Stainless steel screws
 Adjustable mounting bracket
 High Power LED AVX7013: 1w x9 350mA AVX7015: 1w x12 350mA
 XX: 01=3000K, 02=6000K, 03=R.G.B

Protection Rating : IP65

Dimension



Model No.	Lamp	Luminous Flux(lm)	Power(w)	CCT(k)	Beam Angle	Voltage	Horizontal Spread Lighting Distribution	Vertical Spread Lighting Distribution	Visor	Hood	Spike	Fixing belt
AVX7013.01	LED	990	11	3000	15°	100V~240V	AH	AV	315	329	603	605
AVX7013.02	LED	1125	11	6000	15°	100V~240V	AH	AV	315	329	603	605
AVX7013.03	LED	780	11	RGB	15°	24V.DC	AH	AV	315	329	603	605
AVX7015.01	LED	1320	13	3000	25°	100V~240V	AH	AV	315	329	603	605
AVX7015.02	LED	1500	13	6000	25°	100V~240V	AH	AV	315	329	603	605
AVX7015.03	LED	950	13	RGB	25°	24V.DC	AH	AV	315	329	603	605



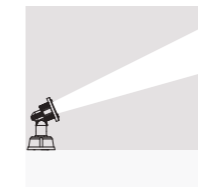
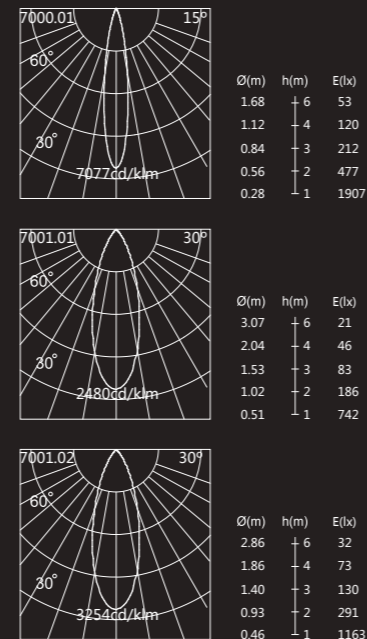
LED Floodlight MERAK II

AVX7000.XX 4W

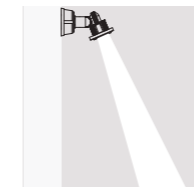
Merak II serves as easily installation, compact and high power LED floodlight, simple but practical. Die casting aluminum housing and rugged bracket. Completed with USA CREE high brightness LED. Low energy consumption and fast starting. Advanced LED technology keeps Merak II reliability and low cost of maintenance . IP65.

To protect Merak II from corrosion of salty or seaside environment, more processes are needed and which must be clarified in advance. DMX system or Dimming is compatible and available.

Merak II is applied widely in surface lighting of buildings, accent lighting, sculptures, artistic decoration, bushes, trees ,corridors of garden and other places..



Ground Mounted



Surface Mounted



Available Visor



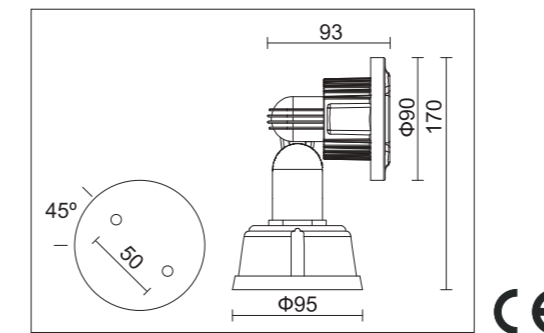
Available Hood

LED Floodlight

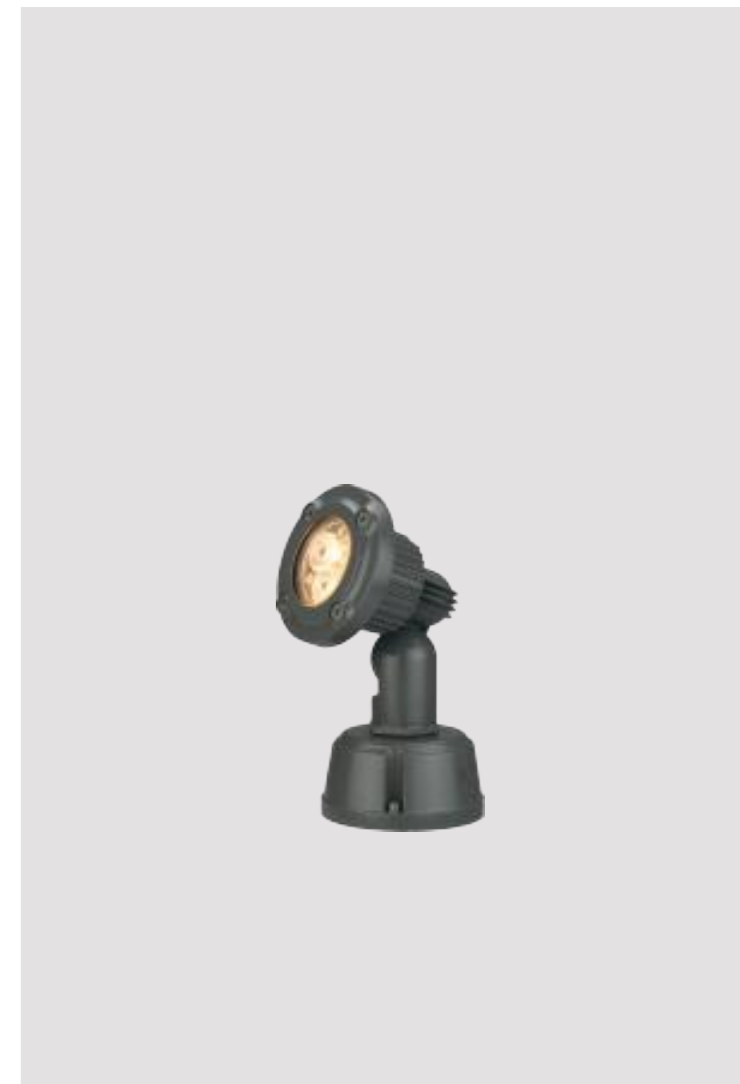
Technical Data : Die casting aluminum housing
 Precise optical lens and lighting distribution
 Optional lighting beam angles: 5°,15°,25°,38°,45°,60°,15°*50°,10°*60°,15°*35°
 Imported silicon rubber ring
 High intensity tempered glass
 Constant current driver
 Stainless steel screws
 Adjustable mounting bracket
 LED : High Power LED
 AVX7000: 1w x3 350mA
 XX: 01=3000K, 02=6000K

Protection Rating : IP65

Dimension



Model No.	Lamp	Luminous Flux(lm)	Power(w)	CCT(k)	Beam Angle	Voltage	Horizontal Spread Lighting Distribution	Vertical Spread Lighting Distribution	Visor	Hood	Spike	Fixing belt
AVX7000.01	LED	329	4	3000	25°	100V~240V	AH AV	312 327	603 605			
AVX7000.02	LED	375	4	6000	25°	100V~240V	AH AV	312 327	603 605			



Horizontal Spread Lighting Distribution Vertical Spread Lighting Distribution Visor Hood Spike Fixing belt

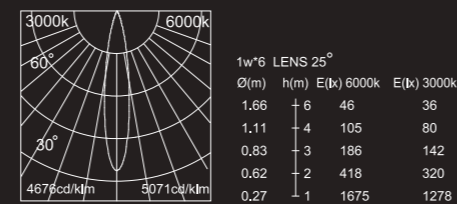
LED Floodlight MERAK II

AVX7002.XX 8W, AVX7003.XX 12W

Merak II serves as easily installation, compact and high power LED floodlight, simple but practical. Die casting aluminum housing and rugged bracket. Completed with USA CREE high brightness LED. Low energy consumption and fast starting. Advanced LED technology keeps Merak II reliability and low cost of maintenance . IP65.

To protect Merak II from corrosion of salty or seaside environment, more processes are needed and which must be clarified in advance. DMX system or Dimming is compatible and available.

Merak II is applied widely in surface lighting of buildings, accent lighting, sculptures, artistic decoration, bushes, trees ,corridors of garden and other places..



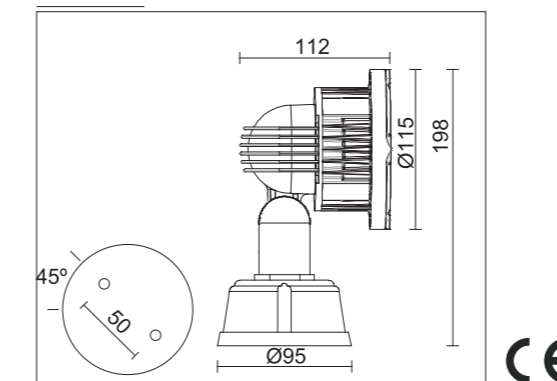
LED Floodlight

Technical Data : Die casting aluminum housing
 Precise optical lens and lighting distribution
 Optional lighting beam angles: 5°,15°,25°,38°,45°,60°,15°*50°,10°*60°,15°*35°
 Imported silicon rubber ring
 High intensity tempered glass
 Constant current driver
 Stainless steel screws
 Adjustable mounting bracket

LED :
 High Power LED
 AVX7002: 1w x6 350mA
 AVX7003: 1.5w x6 500mA
 XX: 01=3000K, 02=6000K, 03=R.G.B

Protection Rating : IP65

Dimension



Model No.	Lamp	Luminous Flux(lm)	Power(w)	CCT(k)	Beam Angle	Voltage	Horizontal Spread Lighting Distribution	Vertical Spread Lighting Distribution	Visor	Hood	Spike	Fixing belt
AVX7002.01	LED	744	8	3000	25°	100V~240V	AH	AV	313	328	603	605
AVX7002.02	LED	852	8	6000	25°	100V~240V	AH	AV	313	328	603	605
AVX7003.01	LED	996	12	3000	25°	100V~240V	AH	AV	313	328	603	605
AVX7003.02	LED	1134	12	6000	25°	100V~240V	AH	AV	313	328	603	605



Horizontal Spread Lighting Distribution Vertical Spread Lighting Distribution Visor Hood Spike Fixing belt

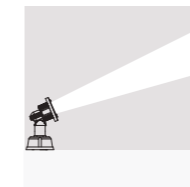
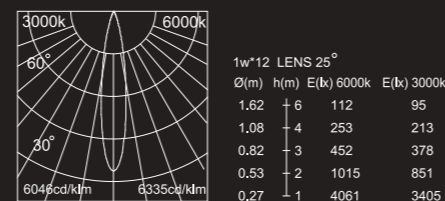
LED Floodlight MERAK II

AVX7004.XX 11W, AVX7005.XX 13W

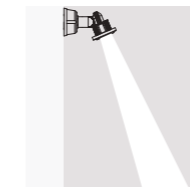
Merak II serves as easily installation, compact and high power LED floodlight, simple but practical. Die casting aluminum housing and rugged bracket. Completed with USA CREE high brightness LED. Low energy consumption and fast starting. Advanced LED technology keeps Merak II reliability and low cost of maintenance . IP65.

To protect Merak II from corrosion of salty or seaside environment, more processes are needed and which must be clarified in advance. DMX system or Dimming is compatible and available.

Merak II is applied widely in surface lighting of buildings, accent lighting, sculptures, artistic decoration, bushes, trees ,corridors of garden and other places..



Ground Mounted



Surface Mounted



Available Visor



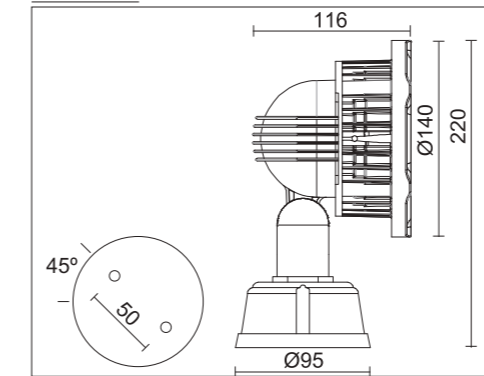
Available Hood

LELED Floodlight

Technical Data : Die casting aluminum housing
 Precise optical lens and lighting distribution
 Optional lighting beam angles: AVX7004: 5°,15°,25°,38°,45°,60°,15°*50°,10°*60°,15°*35°
 AVX7005: 5°,15°,25°,38°,45°,60°,15°*35°
 Imported silicon rubber ring
 High intensity tempered glass
 Constant current driver
 Stainless steel screws
 Adjustable mounting bracket
 High Power LED AVX7004: 1w x9 350mA , AVX7005: 1w x12 350mA
 XX: 01=3000K, 02=6000K, 03=R.G.B

Protection Rating : IP65

Dimension



Model No.	Lamp	Luminous Flux(lm)	Power(w)	CCT(k)	Beam Angle	Voltage	Horizontal Spread Lighting Distribution	Vertical Spread Lighting Distribution	Visor	Hood	Spike	Fixing belt
AVX7004.01	LED	990	11	3000	15°	100V~240V	■	■	▽	□	⌋	⌋
AVX7004.02	LED	1125	11	6000	15°	100V~240V	■	■	▽	□	⌋	⌋
AVX7004.03	LED	780	11	RGB	15°	24V.DC	■	■	▽	□	⌋	⌋
AVX7005.01	LED	1320	13	3000	25°	100V~240V	■	■	▽	□	⌋	⌋
AVX7005.02	LED	1500	13	6000	25°	100V~240V	■	■	▽	□	⌋	⌋
AVX7005.03	LED	950	13	RGB	25°	24V.DC	■	■	▽	□	⌋	⌋



Horizontal Spread Lighting Distribution Vertical Spread Lighting Distribution Visor Hood Spike Fixing belt

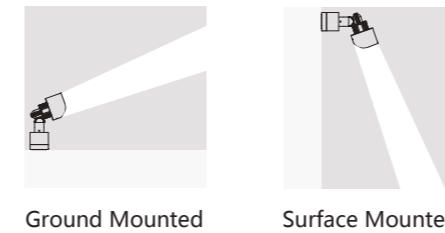
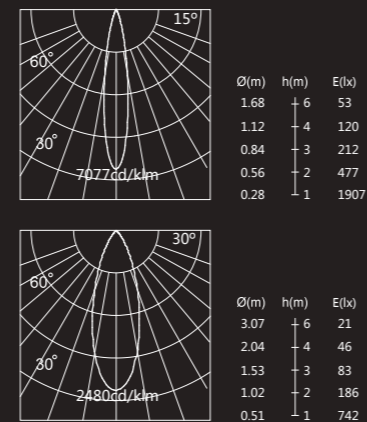
LED Floodlight MERAK III

AVX7060.XX 4W

Merak III serves as easily installation, compact and high power LED floodlight, simple but practical. Die casting aluminum housing and rugged bracket. Completed with USA CREE high brightness LED. Low energy consumption and fast starting. Advanced LED technology keeps Merak III reliability and low cost of maintenance . IP65.

To protect Merak II from corrosion of salty or seaside environment, more processes are needed and which must be clarified in advance. DMX system or Dimming is compatible and available.

Merak III is applied widely in surface lighting of buildings, accent lighting, sculptures, artistic decoration, bushes, trees ,corridors of garden and other places.



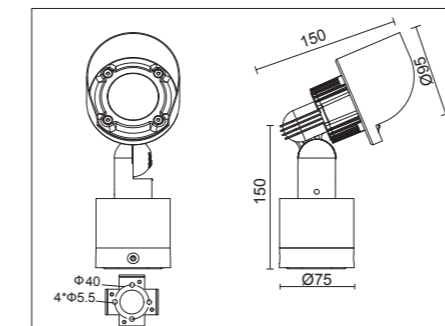
LELED Floodlight

Technical Data : Die casting aluminum housing
 Precise optical lens and lighting distribution
 Optional lighting beam angles: 5°, 15°, 25°, 38°, 45°, 60°, 15°*50°, 10°*60°, 15°*35°
 Imported silicon rubber ring
 High intensity tempered glass
 Constant current driver
 Stainless steel screws
 Adjustable mounting bracket

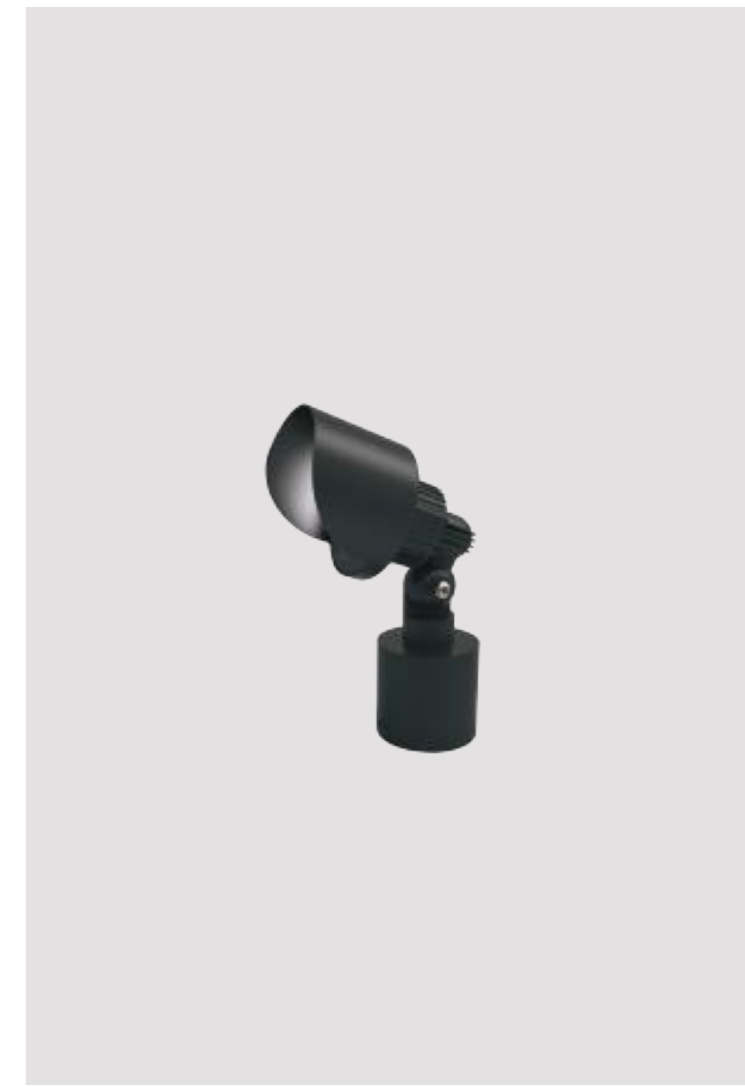
LED : High Power LED 1w x3 350mA
 XX: 01=3000K, 02=6000K

Protection Rating : IP65

Dimension



Model No.	Lamp	Luminous Flux(lm)	Power(w)	CCT(k)	Beam Angle	Voltage				
AVX7060.01	LED	329	4	3000	30°	100V~240V	AH	AV	603	605
AVX7060.02	LED	375	4	6000	30°	100V~240V	AH	AV	603	605



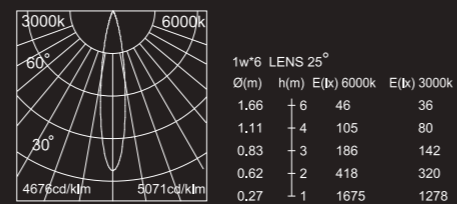
LED Floodlight MERAK III

AVX7062.XX 8W, AVX7063.XX 12W

Merak III serves as easily installation, compact and high power LED floodlight, simple but practical. Die casting aluminum housing and rugged bracket. Completed with USA CREE high brightness LED. Low energy consumption and fast starting. Advanced LED technology keeps Merak III reliability and low cost of maintenance . IP65.

To protect Merak II from corrosion of salty or seaside environment, more processes are needed and which must be clarified in advance. DMX system or Dimming is compatible and available.

Merak III is applied widely in surface lighting of buildings, accent lighting, sculptures, artistic decoration, bushes, trees ,corridors of garden and other places.



Ground Mounted Surface Mounted

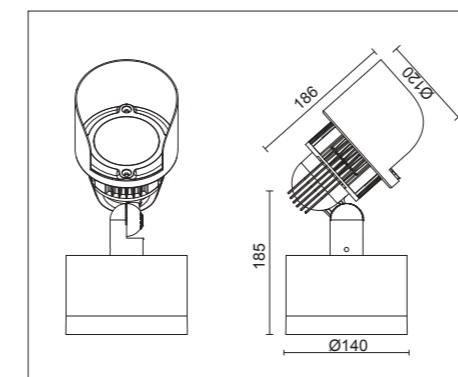
LELED Floodlight

Technical Data : Die casting aluminum housing
 Precise optical lens and lighting distribution
 Optional lighting beam angles: 5°, 15°, 25°, 38°, 45°, 60°, 15°*50°, 10°*60°, 15°*35°
 Imported silicon rubber ring
 High intensity tempered glass
 Constant current driver
 Stainless steel screws
 Adjustable mounting bracket

LED :
 High Power LED
 AVX7062: 1w x6 350mA
 AVX7063: 1.5w x6 500mA
 XX: 01=3000K, 02=6000K, 03=R.G.B

Protection Rating: IP65

Dimension



Model No.	Lamp	Luminous Flux(lm)	Power(w)	CCT(k)	Beam Angle	Voltage	Horizontal Spread Lighting Distribution	Vertical Spread Lighting Distribution	Spike	Fixing belt
AVX7062.01	LED	744	8	3000	25°	100V~240V	AH	AV	603	605
AVX7062.02	LED	852	8	6000	25°	100V~240V	AH	AV	603	605
AVX7063.01	LED	996	12	3000	25°	100V~240V	AH	AV	603	605
AVX7063.02	LED	1134	12	6000	25°	100V~240V	AH	AV	603	605



Horizontal Spread Lighting Distribution Vertical Spread Lighting Distribution Spike Fixing belt

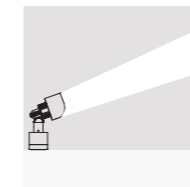
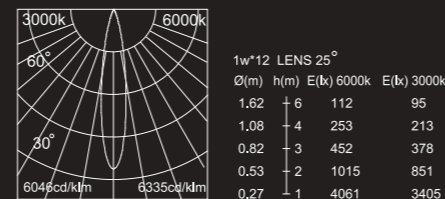
LED Floodlight MERAK III

AVX7064.XX 11W, AVX7065.XX 13W

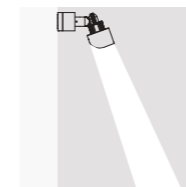
Merak III serves as easily installation, compact and high power LED floodlight, simple but practical. Die casting aluminum housing and rugged bracket. Completed with USA CREE high brightness LED. Low energy consumption and fast starting. Advanced LED technology keeps Merak III reliability and low cost of maintenance . IP65.

To protect Merak II from corrosion of salty or seaside environment, more processes are needed and which must be clarified in advance. DMX system or Dimming is compatible and available.

Merak III is applied widely in surface lighting of buildings, accent lighting, sculptures, artistic decoration, bushes, trees ,corridors of garden and other places.



Ground Mounted



Surface Mounted

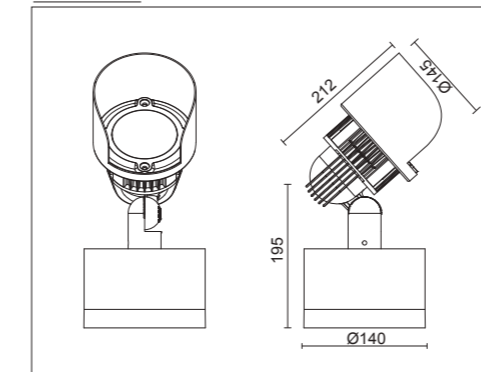
LELED Floodlight

Technical Data : Die casting aluminum housing
Precise optical lens and lighting distribution
Optional lighting beam angles:
AVX7064: 5°, 15°, 25°, 38°, 45°, 60°, 15°*50°, 10°*60°, 15°*35°
AVX7065: 5°, 15°, 25°, 38°, 45°, 60°, 15°*35°

Imported silicon rubber ring
High intensity tempered glass
Constant current driver
Stainless steel screws
LED: High Power LED AVX7064: 1w x9 350mA , AVX7065: 1w x12 350mA
XX: 01=3000K, 02=6000K, 03=R.G.B

Protection Rating: IP65

Dimension



Model No.	Lamp	Luminous Flux(lm)	Power(w)	CCT(k)	Beam Angle	Voltage				
AVX7064.01	LED	990	11	3000	15°	100V~240V	AH	AV	603	605
AVX7064.02	LED	1125	11	6000	15°	100V~240V	AH	AV	603	605
AVX7064.03	LED	780	11	RGB	15°	24V.DC	AH	AV	603	605
AVX7065.01	LED	1320	13	3000	25°	100V~240V	AH	AV	603	605
AVX7065.02	LED	1500	13	6000	25°	100V~240V	AH	AV	603	605
AVX7065.03	LED	950	13	RGB	25°	24V.DC	AH	AV	603	605



Horizontal Spread Lighting Distribution Vertical Spread Lighting Distribution Spike Fixing belt

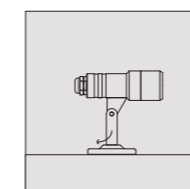
LED Floodlight MINI

AVX7110.XX 1.1W, AVX7111.XX 2W

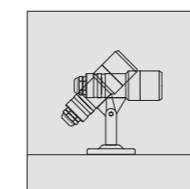
"Mini serves" as small and durable accent lighting. One or three LED chips transmits high brightness lighting output. With driving by 350mA or 700mA, power is differed from 1W to 2W.

Different lighting beam angles, especially square lighting spot allow Mini widely and specially applied. Low power consumption, high brightness. Durable and light aluminum alloy housing with efficient heat dissipation, ensure long lifetime and less maintenance or replacement. 360°rotation, vertical adjustable.

No ultraviolet or infrared rays, energy saving and environmental. Mini is applied widely indoor, outdoor and in other places. IP65.



360°Rotational



Vertical Adjustable

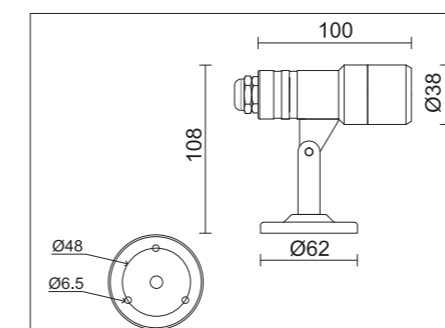
LED Accent lighting

Technical data : Turned Aluminum alloy housing
 Precise optical lens and lighting distribution
 Imported silicon rubber ring
 High intensity tempered glass
 Constant current driver
 Stainless steel bracket and mounting base

LED : High Power LED
 AVX7110: 1w x1 350mA
 AVX7111: 2w x1 500mA
 XX: 01=3000K, 08=4000K, 02=6000K
 04=Red, 05=Green, 06=Blue, 07=Amber

Protection rating : IP65

Dimension



Model No.	Lamp	Luminous Flux(lm)	Power(w)	CCT(k)	Beam Angle	Voltage			
AVX7110.01	LED	90	1.1	3000	30°	100V~240V	330	603	605
AVX7110.02	LED	110	1.1	6000	30°	100V~240V	330	603	605
AVX7111.01	LED	126	2	3000	30°	100V~240V	330	603	605
AVX7111.02	LED	155	2	6000	30°	100V~240V	330	603	605

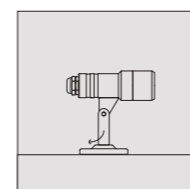
Visor Spike Fixing belt



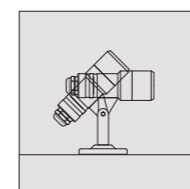
LED Floodlight MINI

AVX7120.XX 4W

"Mini serves" as small and durable accent lighting. One or three LED chips transmits high brightness lighting output. With driving by 350mA or 700mA, power is differed from 1W to 2W.
 Different lighting beam angles, especially square lighting spot allow Mini widely and specially applied. Low power consumption, high brightness.
 Durable and light aluminum alloy housing with efficient heat dissipation, ensure long lifetime and less maintenance or replacement. 360°rotation, vertical adjustable.
 No ultraviolet or infrared rays, energy saving and environmental. Mini is applied widely indoor, outdoor and in other places. IP65.



360°Rotational



Vertical Adjustable

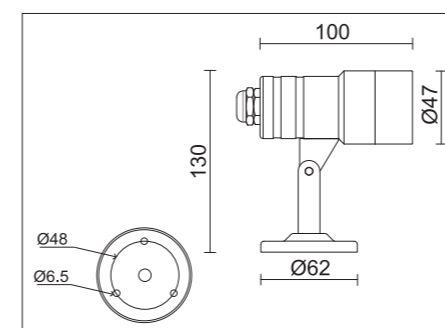
LED Accent lighting

Technical data : Turned Aluminum alloy housing
 Precise optical lens and lighting distribution
 Imported silicon rubber ring
 High intensity tempered glass
 Constant current driver
 Stainless steel bracket and mounting base

LED : High Power LED
 AVX7120: 1w x3 350mA
 XX: 01=3000K, 08=4000K, 02=6000K
 04=Red, 05=Green, 06=Blue, 07=Amber

Protection rating: IP65

Dimension



Model No.	Lamp	Luminous Flux(lm)	Power(w)	CCT(k)	Beam Angle	Voltage			
AVX7120.01	LED	329	4	3000	25°	100V~240V	331	603	605
AVX7120.02	LED	375	4	6000	25°	100V~240V	331	603	605

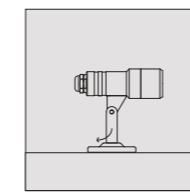
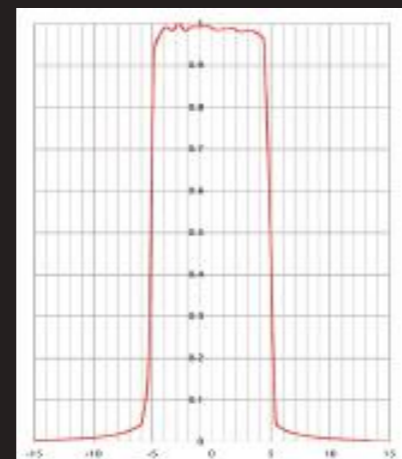
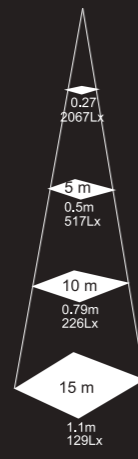
Visor Spike Fixing belt



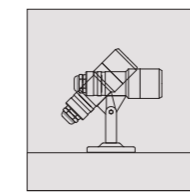
LED Floodlight MINI

AVX7006.XX 2W

"Mini serves" as small and durable accent lighting. One or three LED chips transmits high brightness lighting output. With driving by 350mA or 700mA, power is differed from 1W to 2W.
 Different lighting beam angles, especially square lighting spot allow Mini widely and specially applied. Low power consumption, high brightness.
 Durable and light aluminum alloy housing with efficient heat dissipation, ensure long lifetime and less maintenance or replacement. 360°rotation, vertical adjustable.
 No ultraviolet or infrared rays, energy saving and environmental. Mini is applied widely indoor, outdoor and in other places. IP65.



360°Rotational



Vertical Adjustable

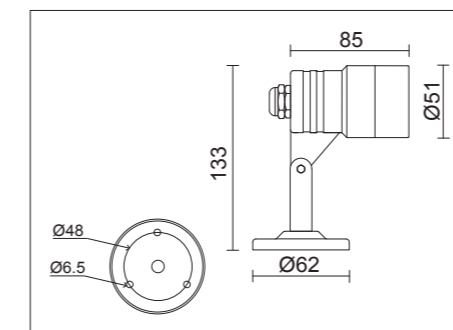
LED Accent lighting

Technical data : Turned Aluminum alloy housing
 Precise optical lens and lighting distribution
 Imported silicon rubber ring
 High intensity tempered glass
 Constant current driver
 Stainless steel bracket and mounting base

LED : LED 2w
 XX: 01=3000K, 08=4000K, 02=5700K
 04=Red, 05=Green, 06=Blue, 07=Amber

Protection rating : IP65

Dimension



Model No.	Lamp	Luminous Flux(lm)	Power(w)	CCT(k)	Beam Angle	Voltage	□		⊕
AVX7006.01	LED	125	2	3000	10°	100V~240V	332	603	605
AVX7006.02	LED	145	2	5700	10°	100V~240V	332	603	605

□ Visor | Spike ⊕ Fixing belt



LED Spot lighting Megrez Narrow beam angle

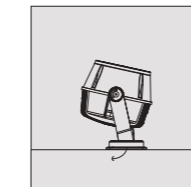
AVX7269.XX 18W, AVX7270.XX 38W

Megrez serves as spot lighting, is a optimization between modern LED technology and professional designation. High efficiency, energy saving and durability. Narrow, medium and wide beam angles make Megrez widely applied and popular with designers.

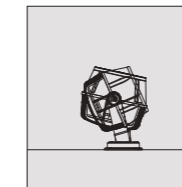
Use USA CREE 18 or 36 unit high brightness LED chips, 1W to 2W differed by driving with 350mA to 700mA. DMX and dimming system are both compatible and available.

Professional design of heat dissipation ensures long lifetime of in built driver, line voltage input directly.

Die casting aluminum housing and stainless steel mounting bracket allow Megrez applied widely in lighting of buildings, bollards, sculptures, masts, bridges and high trees.



±60° Horizontal rotational



Vertical Adjustable



Hood AVX316

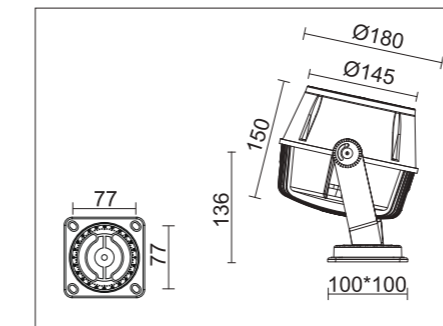
LED Spot lighting

Technical Data : Die casting aluminum housing
 Precise optical lens and lighting distribution
 Optional lighting beam angles : 5°, 15°, 25°, 45°, 60°, 15°*50°, 10°*60, 15°*35°
 Imported silicon rubber ring
 High intensity tempered glass
 Constant current driver
 Stainless steel bracket and screws
 Square die casting aluminum mounting base

LED : High Power LED AVX7269 1w x15, AVX7270 2w x15
 XX: 01=3000K, 08=4000K, 02=6000K, 03=R.G.B
 04=Red, 05=Green, 06=Blue, 07=Amber

Protection Rating : IP65

Dimension



Model No.	Lamp	Luminous Flux(lm)	Power(w)	CCT(k)	Beam angle	Voltage	
AVX7269.01	LED	1875	18	3000	5°	100V~240V	316
AVX7269.02	LED	2136	18	6000	5°	100V~240V	316
AVX7269.03	LED	1200	18	R.G.B	5°	100V~240V	316
AVX7270.01	LED	3210	38	3000	5°	100V~240V	316
AVX7270.02	LED	3660	38	6000	5°	100V~240V	316
AVX7270.03	LED	2400	38	R.G.B	5°	100V~240V	316

Hood



LED Spot lighting Megrez

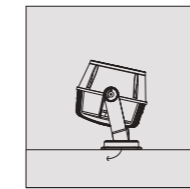
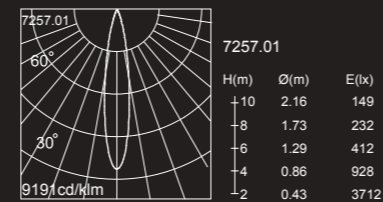
AVX7257.XX 24W

Megrez serves as spot lighting, is a optimization between modern LED technology and professional designation. High efficiency, energy saving and durability. Narrow, medium and wide beam angles make Megrez widely applied and popular with designers.

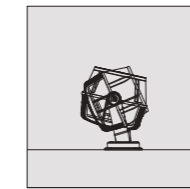
Use USA CREE 18 or 36 unit high brightness LED chips, 1W to 2W differed by driving with 350mA to 700mA. DMX and dimming system are both compatible and available.

Professional design of heat dissipation ensures long lifetime of in built driver, line voltage input directly.

Die casting aluminum housing and stainless steel mounting bracket allow Megrez applied widely in lighting of buildings, bollards, sculptures, masts, bridges and high trees.



±60° Horizontal rotational



Vertical Adjustable



HoodAVX316

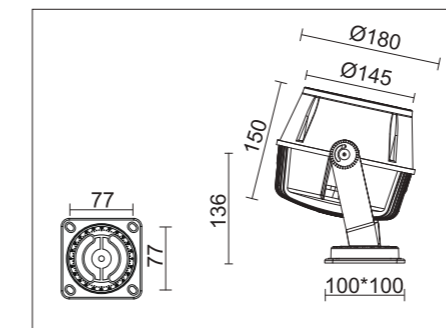
LED Spot lighting


Technical Data : Die casting aluminum housing
 Precise optical lens and lighting distribution
 Optional lighting beam angles : 15°, 25°, 38°, 45°, 60°, 25°*35°, 15°*35°
 Imported silicon rubber ring
 High intensity tempered glass
 Constant current driver
 Stainless steel bracket and screws
 Square die casting aluminum mounting base

LED : High Power LED 1w x18
 XX: 01=3000K, 08=4000K, 02=6000K, 03=R.G.B
 04=Red, 05=Green, 06=Blue, 07=Amber

Protection Rating : IP65

Dimension



Model No.	Lamp	Luminous Flux(lm)	Power(w)	CCT(k)	Beam angle	Voltage	
AVX7257.01	LED	2250	24	3000	25°	100V~240V	316
AVX7257.02	LED	2564	24	6000	25°	100V~240V	316
AVX7257.03	LED	1074	24	R.G.B	25°	100V~240V	316

 Hood



LED Spot lighting Megrez Narrow beam angle

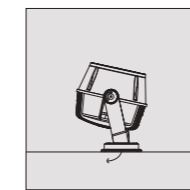
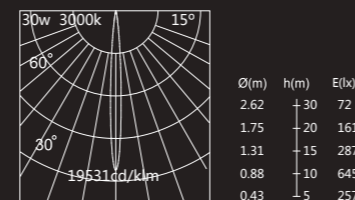
AVX7283.XX 35W, AVX7290.XX 65W

Megrez serves as spot lighting, is a optimization between modern LED technology and professional designation. High efficiency, energy saving and durability. Narrow, medium and wide beam angles make Megrez widely applied and popular with designers.

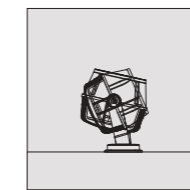
Use USA CREE 18 or 36 unit high brightness LED chips, 1W to 2W differed by driving with 350mA to 700mA. DMX and dimming system are both compatible and available.

Professional design of heat dissipation ensures long lifetime of in built driver, line voltage input directly.

Die casting aluminum housing and stainless steel mounting bracket allow Megrez applied widely in lighting of buildings, bollards, sculptures, masts, bridges and high trees.



±60° Horizontal rotational



Vertical Adjustable



Hood AVX317

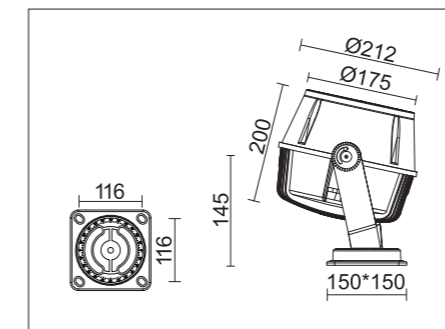
LED Spot lighting


Technical Data : Die casting aluminum housing
 Precise optical lens and lighting distribution
 Optional lighting beam angles : 5°, 15°, 25°, 45°, 60°, 15°*50°, 10°*60°, 15°*35°
 Imported silicon rubber ring
 High intensity tempered glass
 Constant current driver
 Stainless steel bracket and screws
 Square die casting aluminum mounting base

LED : High Power LED AVX7283 1w x27, AVX7290 2w x27
 XX: 01=3000K, 08=4000K, 02=6000K, 03=R.G.B
 04=Red, 05=Green, 06=Blue, 07=Amber

Protection Rating : IP65

Dimension



Model No.	Lamp	Luminous Flux(lm)	Power(w)	CCT(k)	Beam angle	Voltage	
AVX7283.01	LED	3374	35	3000	5°	100V~240V	317
AVX7283.02	LED	3834	35	6000	5°	100V~240V	317
AVX7283.03	LED	2160	35	R.G.B	5°	100V~240V	317
AVX7290.01	LED	5278	65	3000	5°	100V~240V	317
AVX7290.02	LED	6588	65	6000	5°	100V~240V	317
AVX7290.03	LED	4320	65	R.G.B	5°	100V~240V	317

 Hood



LED Spot lighting Megrez

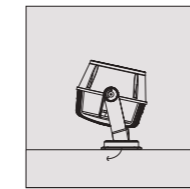
AVX7260.XX 42W

Megrez serves as spot lighting, is a optimization between modern LED technology and professional designation. High efficiency, energy saving and durability. Narrow, medium and wide beam angles make Megrez widely applied and popular with designers.

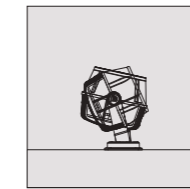
Use USA CREE 18 or 36 unit high brightness LED chips, 1W to 2W differed by driving with 350mA to 700mA. DMX and dimming system are both compatible and available.

Professional design of heat dissipation ensures long lifetime of in built driver, line voltage input directly.

Die casting aluminum housing and stainless steel mounting bracket allow Megrez applied widely in lighting of buildings, bollards, sculptures, masts, bridges and high trees.



±60° Horizontal rotational



Vertical Adjustable



Hood AVX317

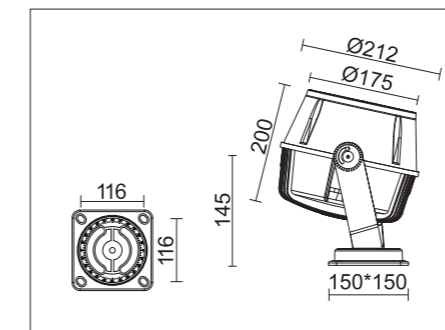
LED Spot lighting


Technical Data : Die casting aluminum housing
 Precise optical lens and lighting distribution
 Optional lighting beam angles : 8°, 15°, 25°, 25°*35°, 15°*35°
 Imported silicon rubber ring
 High intensity tempered glass
 Constant current driver
 Stainless steel bracket and screws
 Square die casting aluminum mounting base

LED : High Power LED 1w x36
 XX: 01=3000K, 08=4000K, 02=6000K, 03=R.G.B
 04=Red, 05=Green, 06=Blue, 07=Amber

Protection Rating : IP65

Dimension



Model No.	Lamp	Luminous Flux(lm)	Power(w)	CCT(k)	Beam angle	Voltage	
AVX7260.01	LED	4500	42	3000	25°	100V~240V	317
AVX7260.02	LED	5112	42	6000	25°	100V~240V	317
AVX7260.03	LED	3078	42	R.G.B	25°	100V~240V	317

 Hood



LED Spot lighting Megrez

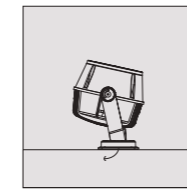
AVX7334.XX 13W 3°

Megrez serves as spot lighting, is a optimization between modern LED technology and professional designation. High efficiency, energy saving and durability. Narrow, medium and wide beam angles make Megrez widely applied and popular with designers.

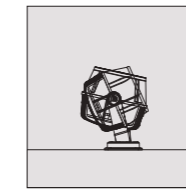
Use USA CREE 18 or 36 unit high brightness LED chips, 1W to 2W differed by driving with 350mA to 700mA. DMX and dimming system are both compatible and available.

Professional design of heat dissipation ensures long lifetime of in built driver, line voltage input directly.

Die casting aluminum housing and stainless steel mounting bracket allow Megrez applied widely in lighting of buildings,



±60° Horizontal rotational



Vertical Adjustable



Hood AVX316

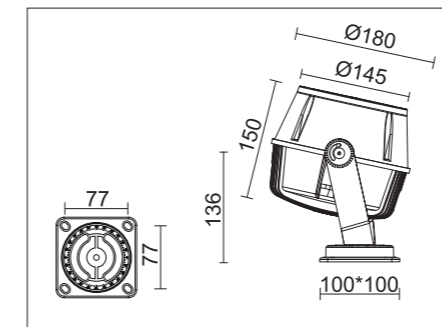
LED Spot lighting


Technical Data : Die casting aluminum housing
 Precise optical lens and lighting distribution
 Optional lighting beam angles : 3°
 Imported silicon rubber ring
 High intensity tempered glass
 Constant current driver
 Stainless steel bracket and screws
 Square die casting aluminum mounting base

LED : High Power LED
 XX: 01=3000K, 08=4000K, 02=6000K, 03=R.G.B

Protection Rating : IP65

Dimension



Model No.	Lamp	Luminous Flux(lm)	Power(w)	CCT(k)	Beam angle	Voltage	
AVX7334.01	LED	1070	13	3000	3°	100V~240V	316
AVX7334.02	LED	1220	13	6000	3°	100V~240V	316

 Hood



LED Spot lighting Megrez

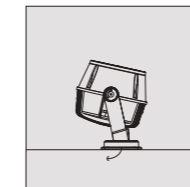
AVX7335.XX 24W 3°

Megrez serves as spot lighting, is a optimization between modern LED technology and professional designation. High efficiency, energy saving and durability. Narrow, medium and wide beam angles make Megrez widely applied and popular with designers.

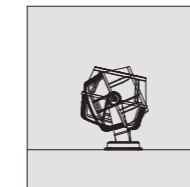
Use USA CREE 18 or 36 unit high brightness LED chips, 1W to 2W differed by driving with 350mA to 700mA. DMX and dimming system are both compatible and available.

Professional design of heat dissipation ensures long lifetime of in built driver, line voltage input directly.

Die casting aluminum housing and stainless steel mounting bracket allow Megrez applied widely in lighting of buildings, bollards, sculptures, masts, bridges and high trees.



±60° Horizontal rotational



Vertical Adjustable



Hood AVX317

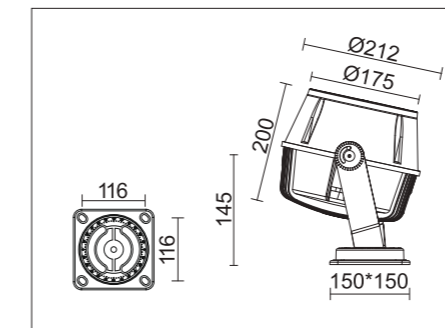
LED Spot lighting

Technical Data : Die casting aluminum housing
Precise optical lens and lighting distribution
Optional lighting beam angles : 3°
Imported silicon rubber ring
High intensity tempered glass
Constant current driver
Stainless steel bracket and screws
Square die casting aluminum mounting base

LED : High Power LED
XX: 01=3000K, 08=4000K, 02=6000K, 03=R.G.B

Protection Rating : IP65

Dimension



Model No.	Lamp	Luminous Flux(lm)	Power(w)	CCT(k)	Beam angle	Voltage	
AVX7335.01	LED	1712	24	3000	3°	100V~240V	317
AVX7335.02	LED	1952	24	6000	3°	100V~240V	317

 Hood



LED Spot lighting Megrez

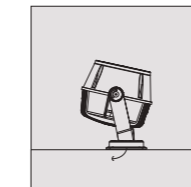
AVX7331.XX 32W, AVX7332.XX 48W, AVX7333.03 26W

Megrez serves as spot lighting, is a optimization between modern LED technology and professional designation. High efficiency, energy saving and durability. Narrow, medium and wide beam angles make Megrez widely applied and popular with designers.

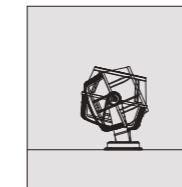
Use USA CREE 18 or 36 unit high brightness LED chips, 1W to 2W differed by driving with 350mA to 700mA. DMX and dimming system are both compatible and available.

Professional design of heat dissipation ensures long lifetime of in built driver, line voltage input directly.

Die casting aluminum housing and stainless steel mounting bracket allow Megrez applied widely in lighting of buildings, bollards, sculptures, masts, bridges and high trees.



±60° Horizontal rotational



Vertical Adjustable



Hood AVX317

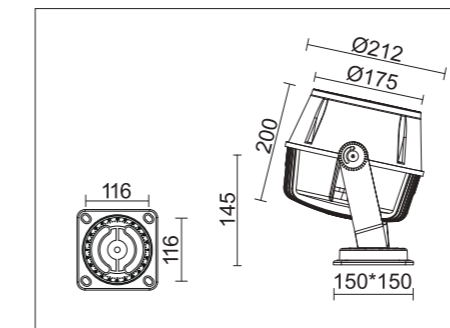
LED Spot lighting


Technical Data : Die casting aluminum housing
 Precise optical lens and lighting distribution
 Optional lighting beam angles : 8°、18°、36°、72°
 Imported silicon rubber ring
 High intensity tempered glass
 Constant current driver
 Stainless steel bracket and screws
 Square die casting aluminum mounting base

LED : High Power LED
 XX: 01=3000K, 08=4000K, 02=6000K, 03=R.G.B

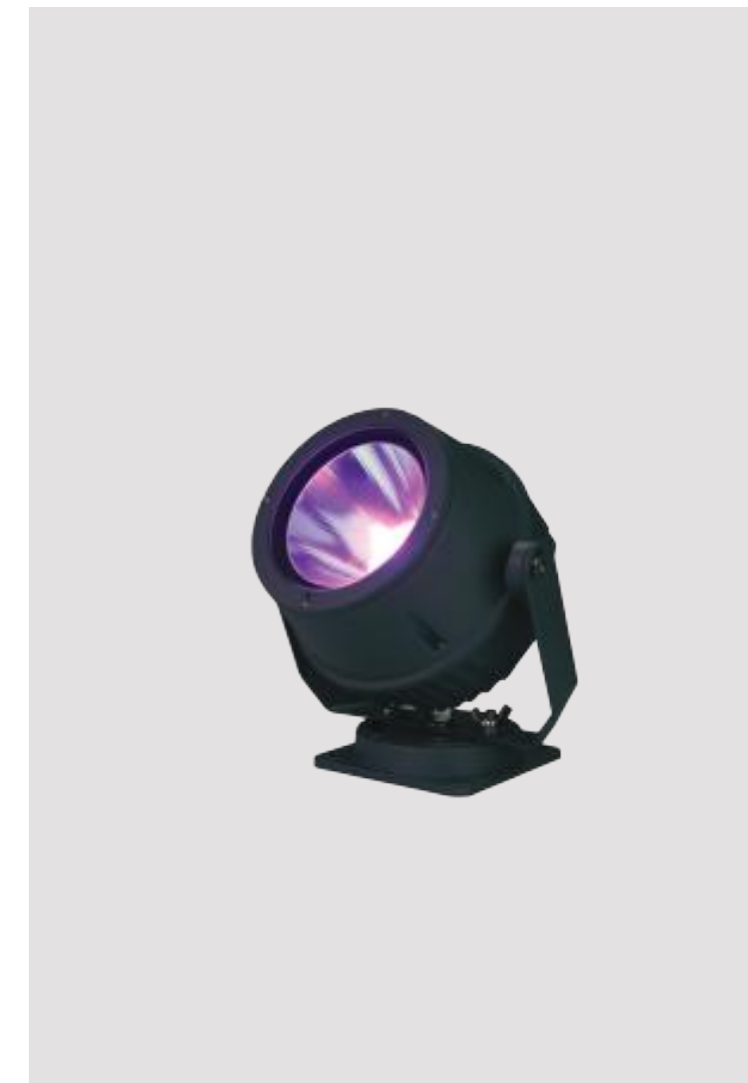
Protection Rating : IP65

Dimension



Model No.	Lamp	Luminous Flux(lm)	Power(w)	CCT(k)	Beam angle	Voltage	
AVX7331.01	LED	3776	32	3000	18°	100V~240V	317
AVX7332.01	LED	5334	48	3000	18°	100V~240V	317
AVX7333.03	LED	2200	26	R.G.B	18°	100V~240V	317

 Hood



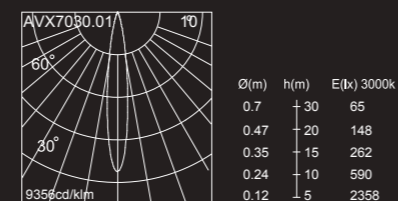
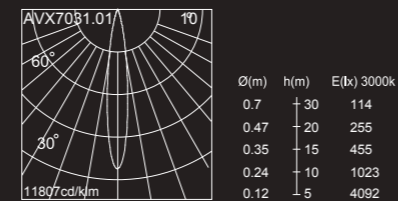
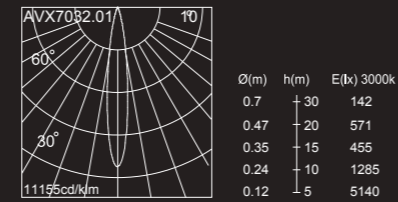
LED Floodlight

AVX7030.XX 48W, AVX7031.XX 72W, AVX7032.XX 100W

Ultra-thin Floodlight with strong function, designed with the advanced LED technology, high lighting transmitting, energy saving, long lifetime. Precise lighting optical lens provide various beam angles for different applications. Professional optical software help to design optics

Optimized designation for heat dissipation provides a safe and ideal inside environment to build the driver in, line voltage input directly, convenient installation, lower cost. Tough and durable casting aluminum housing, aluminum profile mounting bracket apply to outdoors.

Applied in architecture lighting, small stadium, sculpture, advertising board and etc.



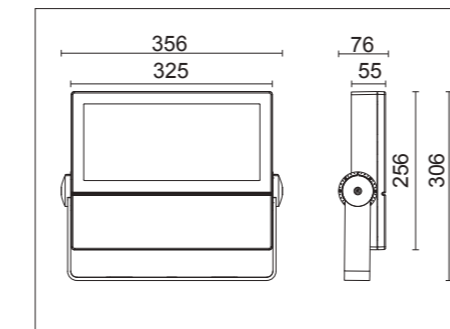
LED Floodlight

Technical Data : Die casting aluminum housing
 Precise lighting beam angles
 Available : 10°, 25°, 50°, 65°, 90°, Asymmetrical : 35°X155°, 45°X155°, 85°X135°
 Imported silicon rubber ring
 High intensity tempered glass
 Constant current driver.
 Aluminum profile bracket.

LED : High Power LED 7030: 1WX40; 7031: 1.5WX40; 7032: 2.5WX40
 XX: 01=3000K, 08=4000K, 02=6000K, 03=R.G.B

Protection Rating : IP65

Dimension



Model No.	Lamp	Luminous flux(lm)	Power(w)	CCT(k)	Beam angle	Voltage	▽
AVX7030.01	LED	6304	48	3000	50°	100V~240V	335
AVX7030.02	LED	6712	48	6000	50°	100V~240V	335
AVX7031.01	LED	8680	72	3000	50°	100V~240V	335
AVX7031.02	LED	9224	72	6000	50°	100V~240V	335
AVX7032.01	LED	11520	100	3000	50°	100V~240V	335
AVX7032.02	LED	12240	100	6000	50°	100V~240V	335



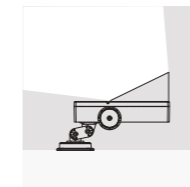
LED Floodlight

AVX7033.XX 48W, AVX7034.XX 72W, AVX7035.XX 100W

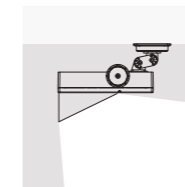
Ultra-thin Floodlight with strong function, designed with the advanced LED technology, high lighting transmitting, energy saving, long lifetime. Precise lighting optical lens provide various beam angles for different applications. Professional optical software help to design optics

Optimized designation for heat dissipation provides a safe and ideal inside environment to build the driver in, line voltage input directly, convenient installation, lower cost. Tough and durable casting aluminum housing, aluminum profile mounting bracket apply to outdoors.

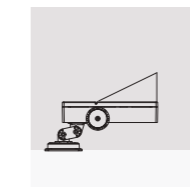
Applied in architecture lighting, small stadium, sculpture, advertising board and etc.



Ground Mounted



Wall Mounted



Anti Glare Visor

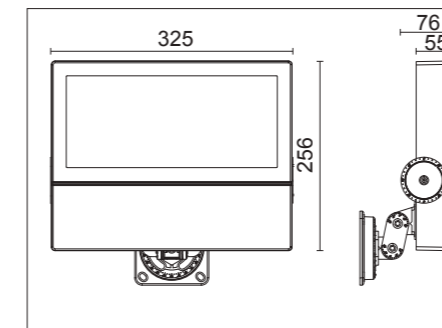
LED Floodlight

Technical Data : Die casting aluminum housing
 Precise lighting beam angles
 Available : 10°, 25°, 50°, 65°, 90°, Asymmetrical : 35°X155°, 45°X155°, 85°X135°
 Imported silicon rubber ring
 High intensity tempered glass
 Constant current driver.
 Aluminum profile bracket.

LED : High Power LED 7030: 1WX40; 7031: 1.5WX40; 7032: 2.5WX40
 XX: 01=3000K, 08=4000K, 02=6000K, 03=R.G.B

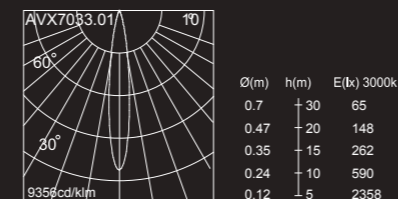
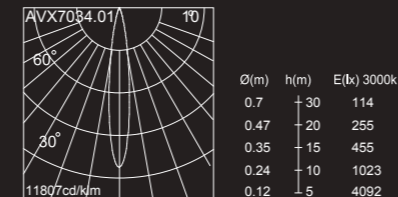
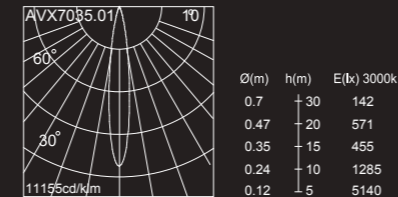
Protection Rating : IP65

Dimension



Model No.	Lamp	Luminous flux(lm)	Power(w)	CCT(k)	Beam angle	Voltage	▽
AVX7033.01	LED	6304	48	3000	50°	100V~240V	335
AVX7033.02	LED	6712	48	6000	50°	100V~240V	335
AVX7034.01	LED	8680	72	3000	50°	100V~240V	335
AVX7034.02	LED	9224	72	6000	50°	100V~240V	335
AVX7035.01	LED	11520	100	3000	50°	100V~240V	335
AVX7035.02	LED	12240	100	6000	50°	100V~240V	335

▽ Anti Glare Visor



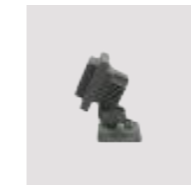
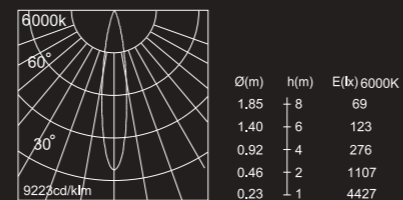
LED Floodlight Phecda

AVX7475.XX 8W

Phecda Series is widely applied in building lighting for its special geometrical performance and super coordination. As a kind of LED floodlight, Phecda comes with most advanced LED from CREE USA, 6 or 16 units Cree 1W LED chips combined with precise optical lens makes Phecda's lighting distribution more like sunlight.

The conductivity of aluminum housing and optimized designation of heat dissipation make Phecda long lifetime in normal ambient temperature.

Flexible and adjustable mounting bracket, different lighting beam angles. IP65. Phecda is applied widely outdoor. More processes are needed if it's used near seaside.



Forward adjust 0°-160°



Backward adjust 0°-160°



±60° Horizontal rotational

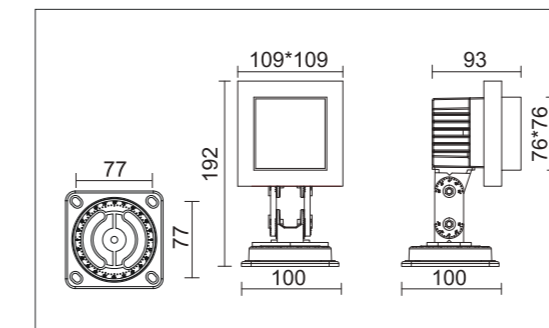
LED Floodlight

Technical Data : Die casting aluminum housing
 Precise optical lens and lighting distribution
 Optional lighting beam angles : 5°, 15°, 25°, 45°, 60°, 15°*50°, 10°*60°
 Imported silicon rubber ring
 High intensity tempered glass
 Constant current driver
 Stainless steel bracket and screws
 Square die casting aluminum mounting base

LED : High Power LED 1w x6
 XX: 01=3000K, 08=4000K, 02=6000K
 04=Red, 05=Green, 06=Blue

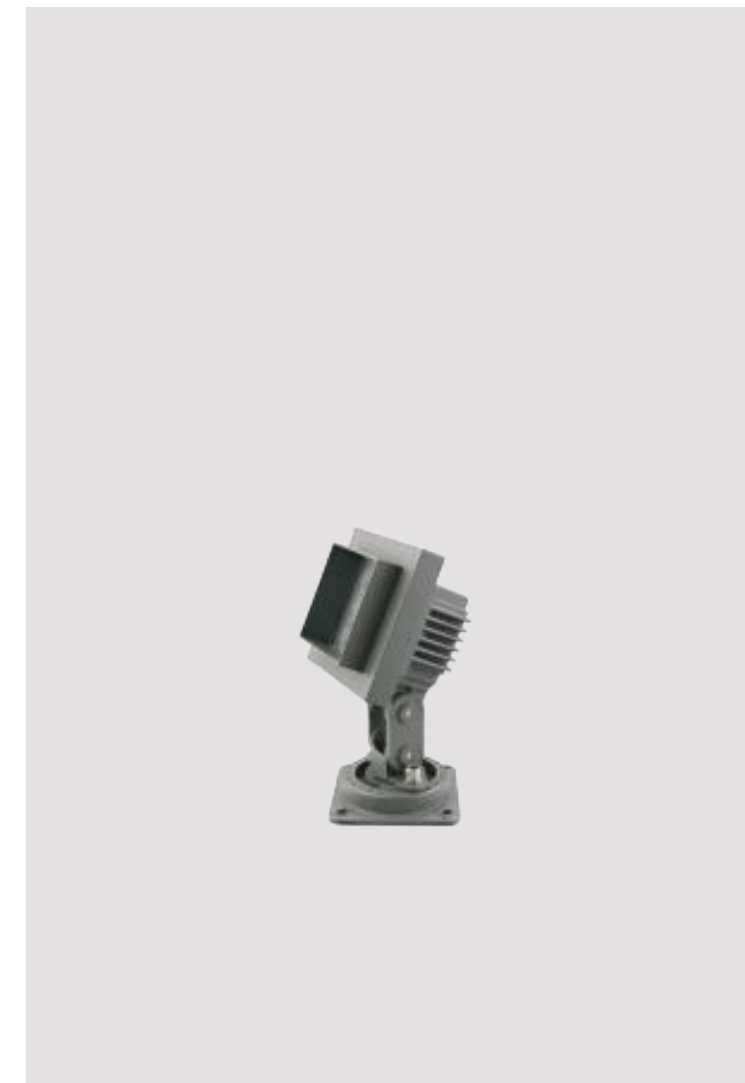
Protection Rating : IP65

Dimension



Model No.	Lamp	Luminous Flux(lm)	Power(w)	CCT(k)	Beam angle	Voltage	V	Ⓜ
AVX7475.01	LED	750	8	3000	30°	100V~240V	604	605
AVX7475.02	LED	852	8	6000	30°	100V~240V	604	605

V Spike Ⓜ Fixing belt



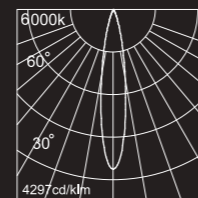
LED Floodlight Phecda

AVX7478.XX 19W

Phecda Series is widely applied in building lighting for its special geometrical performance and super coordination. As a kind of LED floodlight, Phecda comes with most advanced LED from CREE USA, 6 or 16 units Cree 1W LED chips combined with precise optical lens makes Phecda's lighting distribution more like sunlight.

The conductivity of aluminum housing and optimized designation of heat dissipation make Phecda long lifetime in normal ambient temperature.

Flexible and adjustable mounting bracket, different lighting beam angles. IP65. Phecda is applied widely outdoor. More processes are needed if it's used near seaside.



Forward adjust
0°-160°



Backward adjust
0°-160°



±60° Horizontal
rotational

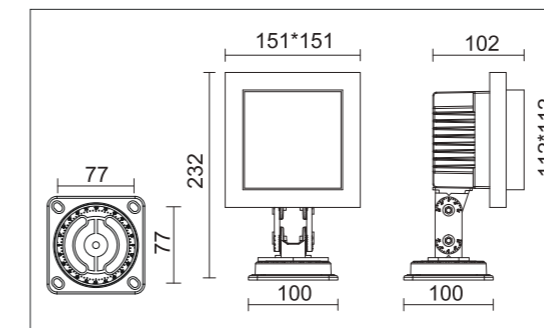
LED Floodlight

Technical Data : Die casting aluminum housing
Precise optical lens and lighting distribution
Optional lighting beam angles : 5°, 15°, 25°, 45°, 60°, 15°*50°, 10°*60°
Imported silicon rubber ring
High intensity tempered glass
Constant current driver
Die casting aluminum adjustable bracket
Square die casting aluminum mounting base
Stainless steel screws

LED : High Power LED 1w x16
XX: 01=3000K, 08=4000K, 02=6000K
04=Red, 05=Green, 06=Blue

Protection Rating : IP65

Dimension



Model No.	Lamp	Luminous Flux(lm)	Power(w)	CCT(k)	Beam angle	Voltage	V	Fixing belt
AVX7478.01	LED	1984	19	3000	30°	100V~240V	604	605
AVX7478.02	LED	2272	19	6000	30°	100V~240V	604	605

V Spike Fixing belt



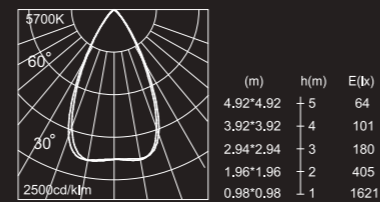
LED Floodlight Phecda

AVX7328.XX 8W

Phecda Series is widely applied in building lighting for its special geometrical performance and super coordination. As a kind of LED floodlight, Phecda comes with high quality and most advanced LED chips from Illumitex USA Of which company specialized in combination research between chips and optics. Up to 7 watts per module.

The conductivity of aluminum housing and optimized designation of heat dissipation make Phecda long lifetime in normal ambient temperature.

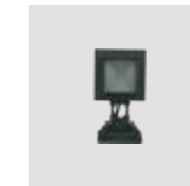
Flexible and adjustable mounting bracket, different lighting beam angles. IP65. Phecda is applied widely outdoor. More processes are needed if its used near seaside.



Forward adjust
0°-160°



Backward adjust
0°-160°



±60° Horizontal
rotational

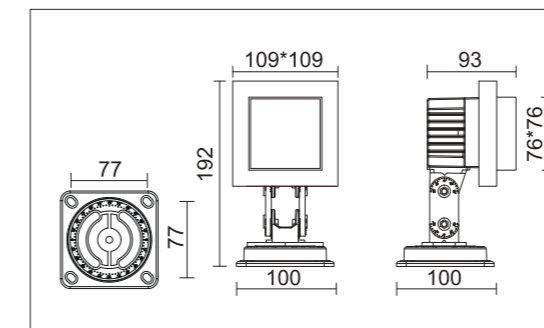
LED Floodlight

Technical Data : Die casting aluminum housing
Precise integrated optical lens
Available beam angle : 115°
Imported silicon rubber ring
High intensity tempered glass
Constant current driver
Die casting aluminum adjustable bracket
Square die casting aluminum mounting base
Stainless steel screws

LED : COB LED 6w x1
XX: 01=3000K, 08=4000K, 02=5000K

Protection Rating : IP65

Dimension



Model No.	Lamp	Luminous Flux(lm)	Power(w)	CCT(k)	Beam angle	Voltage	V	🔧
AVX7328.01	LED	475	8	3000	115°	100V~240V	604	605
AVX7328.02	LED	498	8	5000	115°	100V~240V	604	605

V Spike 🔧 Fixing belt



LED Floodlight Phecda

AVX7330.XX 20W

Phecda Series is widely applied in building lighting for its special geometrical performance and super coordination. As a kind of LED floodlight, Phecda comes with high quality and most advanced LED chips from Illumitex USA Of which company specialized in combination research between chips and optics. Up to 7 watts per module.

The conductivity of aluminum housing and optimized designation of heat dissipation make Phecda long lifetime in normal ambient temperature.

Flexible and adjustable mounting bracket, different lighting beam angles. IP65. Phecda is applied widely outdoor. More processes are needed if its used near seaside.



Forward adjust
0°-160°



Backward adjust
0°-160°



±60° Horizontal
rotational

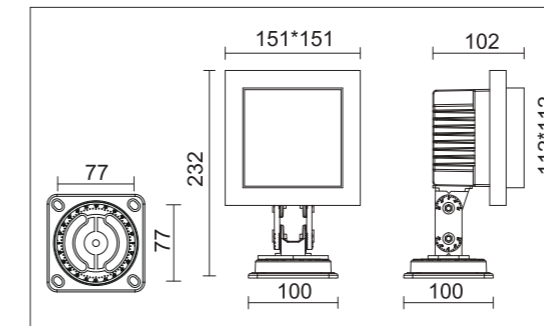
LED Floodlight

Technical Data : Die casting aluminum housing
Precise integrated optical lens
Available beam angle : 115°
Imported silicon rubber ring
High intensity tempered glass
Constant current driver
Die casting aluminum adjustable bracket
Square die casting aluminum mounting base
Stainless steel screws

LED : COB LED 5w x4
XX: 01=3000K, 08=4000K, 02=5000K
04=Red, 05=Green, 06=Blue, 07=Amber

Protection Rating : IP65

Dimension



Model No.	Lamp	Luminous Flux(lm)	Power(w)	CCT(k)	Beam angle	Voltage	V	⌘
AVX7330.01	LED	1800	20	3000	115°	100V~240V	604	605
AVX7330.02	LED	1892	20	5000	115°	100V~240V	604	605

V Spike ⌘ Fixing belt



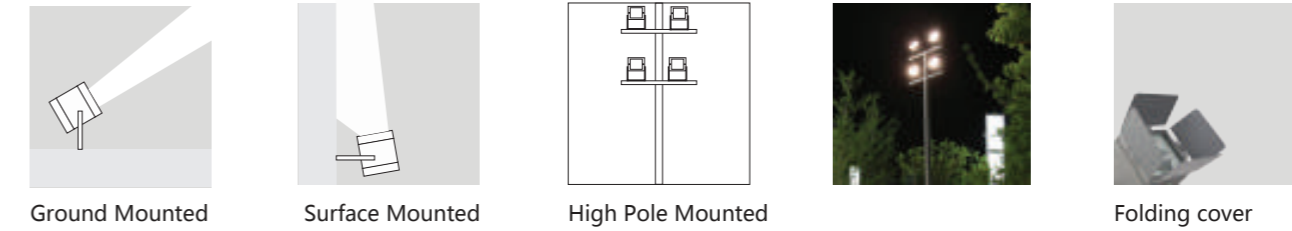
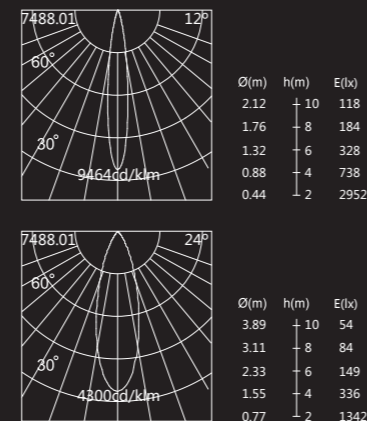
LED Floodlight Alioth

AVX7488.XX 15W

AVX7488 and AVX7489 are small version of Alioth which come with different watts of COB LED, completed with precise and high reflection aluminum reflector, high lighting output, low energy consumption, long lifetime. Triac dimming and 0-10V dimming are for option.

The character of dissipation of aluminum ensures well operation and long lifetime. IP65. Corrosion resistant powder painting. Alioth is capable to be applied outdoor.

Alioth is applied widely in lighting on buildings, views, sculptures, advertisement brands, artistic decoration and some other working places and is also a best option to replace traditional lighting products.



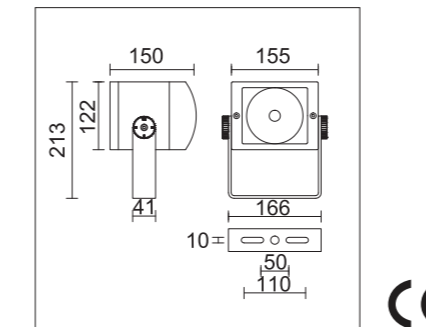
LED Floodlight

Technical Data : Die casting aluminum housing
 Aluminum reflector with high reflection , precise distribution
 Optional lighting beam angles : 12° , 24° , 40° , 18°x40°
 Imported silicon rubber ring
 High intensity tempered glass
 Constant current drive
 Aluminum adjustable bracket
 Available square die casting aluminum mounting base
 Stainless steel screws

LED: Cree COB LED AVX7488.XX: 15w x1
 XX: 01=3000K, 08=4000K, 02=5000K

Protection Rating : IP65

Dimension



Model No.	Lamp	Luminous Flux(lm)	Power(w)	CCT(k)	Beam angle	Voltage	▽	▽	⌋	⌋	⌋
AVX7488.01	LED	1250	15	3000	24°	100V~240V	302	604	605	701	318
AVX7488.02	LED	1250	15	5000	24°	100V~240V	302	604	605	701	318
AVX7488.08	LED	1780	15	4000	24°	100V~240V	302	604	605	701	318



▽ Visor ▽ Spike ⌋ Fixing belt ⌋ Square mounting base ⌋ Folding cover

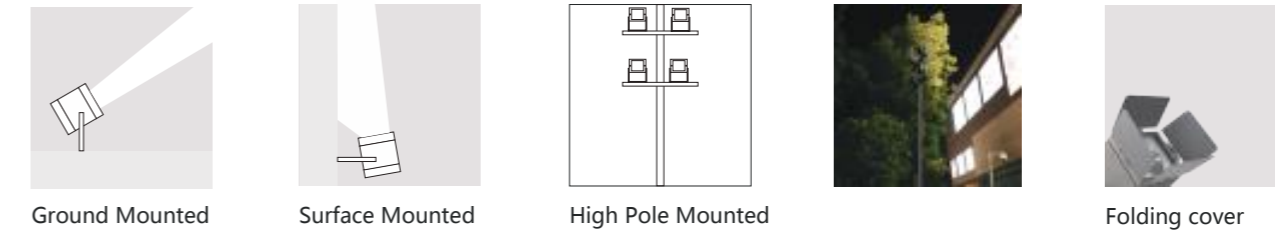
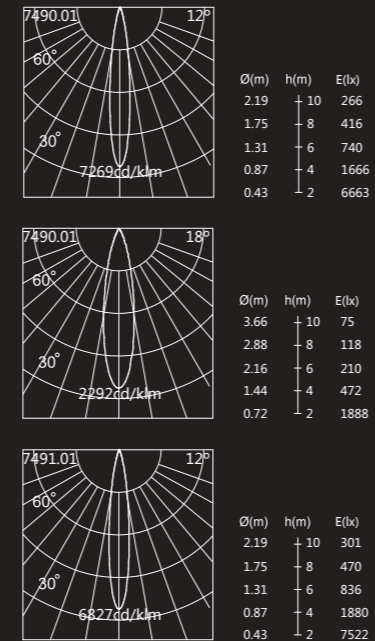
LED Floodlight Alioth

AVX7490.XX 28W, AVX7490.03 26W R.G.B.W

AVX7490 and AVX7491 are big version of Alioth which come with different watts of COB LED, completed with precise and high reflection aluminum reflector, high lighting output, low energy consumption, long lifetime. Triac dimming and 0-10V dimming are for option.

The character of dissipation of aluminum ensures well operation and long lifetime. IP65. Corrosion resistant powder painting. Alioth is capable to be applied outdoor.

Alioth is applied widely in lighting on buildings, views, sculptures, advertisement brands, artistic decoration and some other working places and is also a best option to replace traditional lighting products.

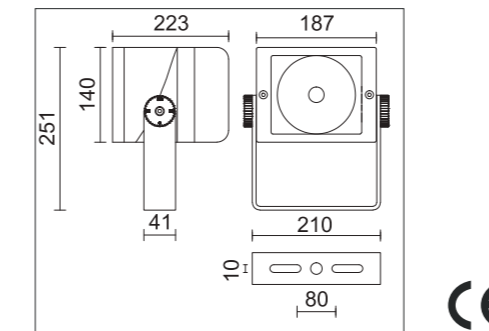


LED Floodlight

Technical Data : Die casting aluminum housing
 Aluminum reflector with high reflection , precise distribution
 Optional lighting beam angles : 8° , 18° , 36° , 72° , 20°x55°
 Imported silicon rubber ring
 High intensity tempered glass
 Constant current drive
 Aluminum adjustable bracket
 Available square die casting aluminum mounting base
 Stainless steel screws
 LED: COB LED AVX7490: 28w x1
 XX: 01=3000K, 08=4000K, 02=5000K, , 03=R.G.B.W

Protection Rating : IP65

Dimension



Model No.	Lamp	Luminous Flux(lm)	Power(w)	CCT(k)	Beam angle	Voltage	▽	▽	🌀	▭	📦
AVX7490.01	LED	3776	28	3000	18°	100V~240V	307	604	605	702	319
AVX7490.02	LED	3947	28	5000	18°	100V~240V	307	604	605	702	319
AVX7490.08	LED	3892	28	4000	18°	100V~240V	307	604	605	702	319
AVX7490.03	LED	2200	26	R.G.B.W	18°	100V~240V	307	604	605	702	319



▽ Visor ▽ Spike 🌀 Fixing belt ▭ Square mounting base 📦 Folding cover

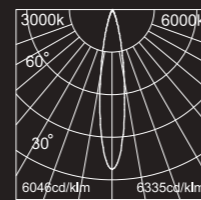
LED Floodlight Alioth

AVX7500.XX 15W

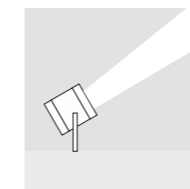
AVX7500 is a small version of Alioth which comes with Cree High Power LED, completed with precise optical lens and brand driver, high lighting output, low energy consumption, long lifetime. RGB, Triac dimming and 0-10V dimming are for option.

The character of dissipation of aluminum ensures well operation and long lifetime. IP65. Corrosion resistant powder painting. Alioth is capable to be applied outdoor.

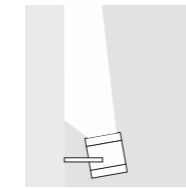
Alioth is applied widely in lighting on buildings, views, sculptures, advertisement brands, artistic decoration and some other working places and is also a best option to replace traditional lighting products.



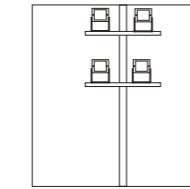
1w*12 LENS 25°				
Ø(m)	h(m)	E(lx) 6000k	E(lx) 3000k	
1.62	+6	112	95	
1.08	-4	253	213	
0.82	-3	452	378	
0.53	-2	1015	851	
0.27	-1	4061	3405	



Ground Mounted



Surface Mounted



High Pole Mounted



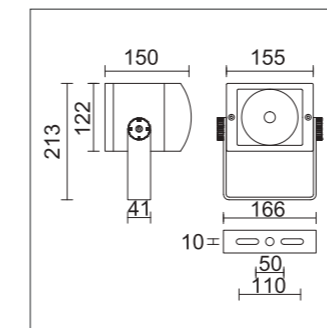
Folding cover

LED Floodlight

Technical Data : Die casting aluminum housing
 Aluminum reflector with high reflection , precise distribution
 Optional lighting beam angles : 5° , 15° , 25° , 38° , 45° , 60° , 20*35°
 Imported silicon rubber ring
 High intensity tempered glass
 Constant current drive
 Aluminum adjustable bracket
 Available square die casting aluminum mounting base
 Stainless steel screws
 High Power LED 1w x12
LED :
 XX: 01=3000K, 08=4000K, 02=6000K, 03=R.G.B
 04=Red, 05=Green, 06=Blue, 07=Amber

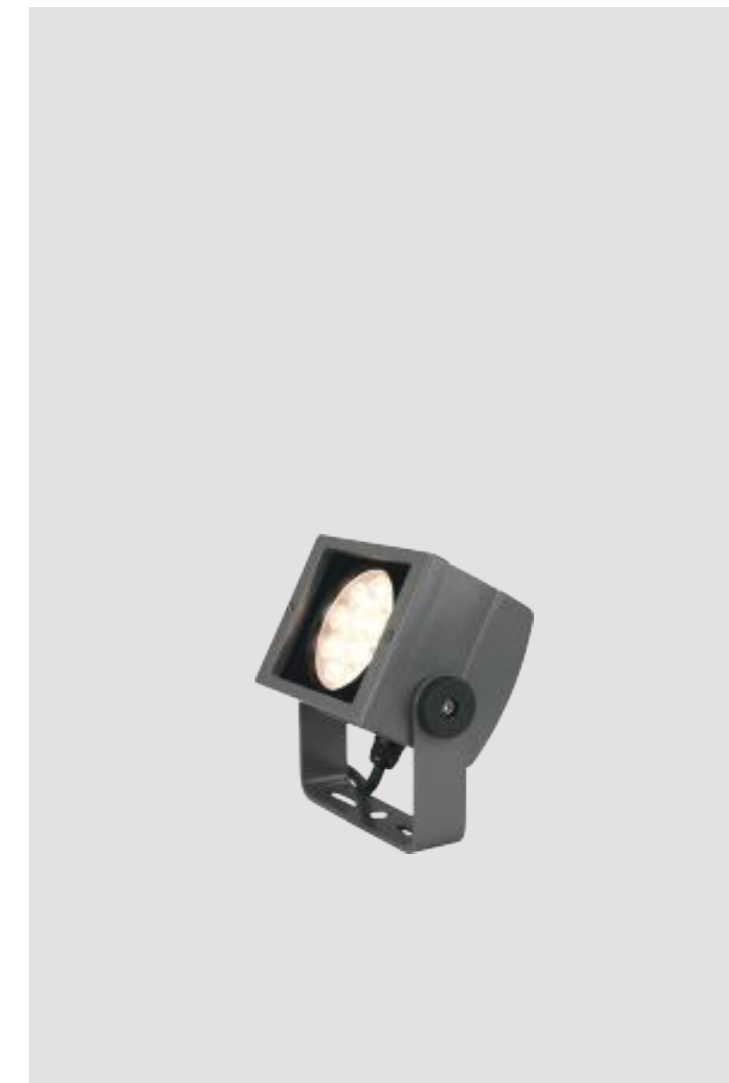
Protection Rating : IP65

Dimension



Model No.	Lamp	Luminous Flux(lm)	Power(w)	CCT(k)	Beam angle	Voltage	▽	▽	⊕	⊖	☐
AVX7500.01	LED	1500	15	3000	25°	100V~240V	302	604	605	701	318
AVX7500.02	LED	1704	15	6000	25°	100V~240V	302	604	605	701	318
AVX7500.03	LED	716	15	R.G.B	25°	100V~240V	302	604	605	701	318

▽ Visor ▽ Spike ⊕ Fixing belt ⊖ Square mounting base ☐ Folding cover



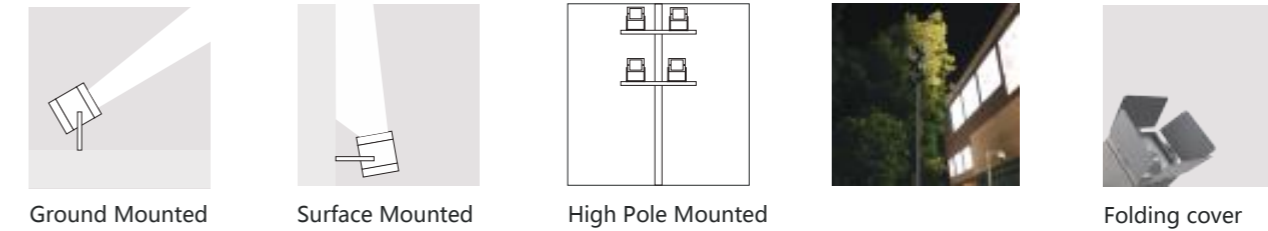
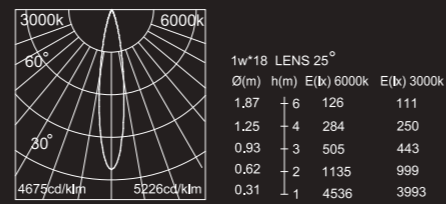
LED Floodlight Alioth

AVX7511.XX 25W

AVX7511 is a big version of Alioth which comes with Cree High Power LED, completed with precise optical lens and brand driver, high lighting output, low energy consumption, long lifetime. RGB, Triac dimming and 0-10V dimming are for option.

The character of dissipation of aluminum ensures well operation and long lifetime. IP65. Corrosion resistant powder painting. Alioth is capable to be applied outdoor.

Alioth is applied widely in lighting on buildings, views, sculptures, advertisement brands, artistic decoration and some other working places and is also a best option to replace traditional lighting products.

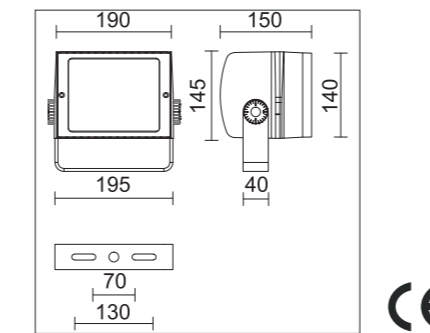


LED Floodlight

Technical Data : Die casting aluminum housing
 Aluminum reflector with high reflection , precise distribution
 Optional lighting beam angles : 15°,25°,38°,45°,60°,25*35°
 Imported silicon rubber ring
 High intensity tempered glass
 Constant current drive
 Aluminum adjustable bracket
 Available square die casting aluminum mounting base
 Stainless steel screws
LED : High Power LED 1w x18
 XX: 01=3000K, 08=4000K, 02=6000K, 03=R.G.B
 04=Red, 05=Green, 06=Blue, 07=Amber

Protection Rating : IP65

Dimension



Model No.	Lamp	Luminous Flux(lm)	Power(w)	CCT(k)	Beam angel	Voltage	▽	▽	🌀	▬	📦
AVX7511.01	LED	2250	25	3000	25°	100V~240V	307	604	605	702	319
AVX7511.02	LED	2556	25	6000	25°	100V~240V	307	604	605	702	319
AVX7511.03	LED	1074	25	R.G.B	25°	100V~240V	307	604	605	702	319

▽ Visor ▽ Spike 🌀 Fixing belt ▬ Square mounting base 📦 Folding cover



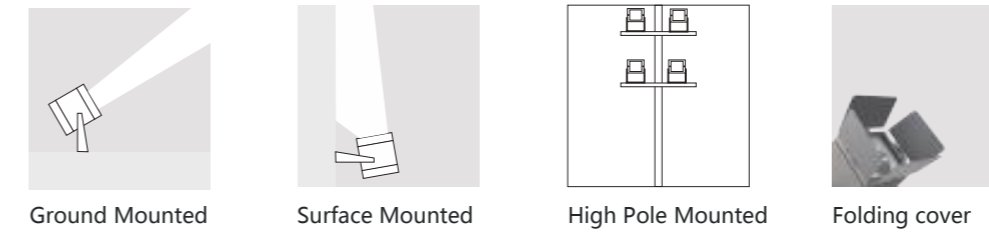
LED Floodlight Alioth

AVX7625.XX 12W

AVX7625 is a small version of Alioth which comes with Cree High Power LED, completed with precise optical lens and brand driver, high lighting output, low energy consumption, long lifetime. RGB, Triac dimming and 0-10V dimming are for option.

The character of dissipation of aluminum ensures well operation and long lifetime. IP65. Corrosion resistant powder painting. Alioth is capable to be applied outdoor.

Alioth is applied widely in lighting on buildings, views, sculptures, advertisement brands, artistic decoration and some other working places and is also a best option to replace traditional lighting products.

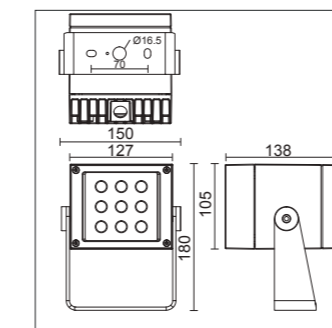


LED Floodlight

Technical Data : Die casting aluminum housing
 Aluminum reflector with high reflection , precise distribution
 Optional lighting beam angles : 15°, 25°, 45°, 60°, 25°x35°
 Imported silicon rubber ring
 High intensity tempered glass
 Constant current drive
 Aluminum adjustable bracket
 Available square die casting aluminum mounting base
 Stainless steel screws

LED : High Power LED 1w x9
 XX: 01=3000K, 08=4000K, 02=6000K, 03=R.G.B
 04=Red, 05=Green, 06=Blue, 07=Amber

尺寸图



Model No.	Lamp	Luminous Flux(lm)	Power(w)	CCT(k)	Beam angle	Voltage	▽	▽	🌀	▬	📦
AVX7625.01	LED	1125	12	3000	25°	100V~240V	336	604	605	701	333
AVX7625.02	LED	1278	12	6000	25°	100V~240V	336	604	605	701	333
AVX7625.03	LED	720	12	R.G.B	25°	100V~240V	336	604	605	701	333

▽ Visor ▽ Spike 🌀 Fixing belt ▬ Square mounting base 📦 Folding cover



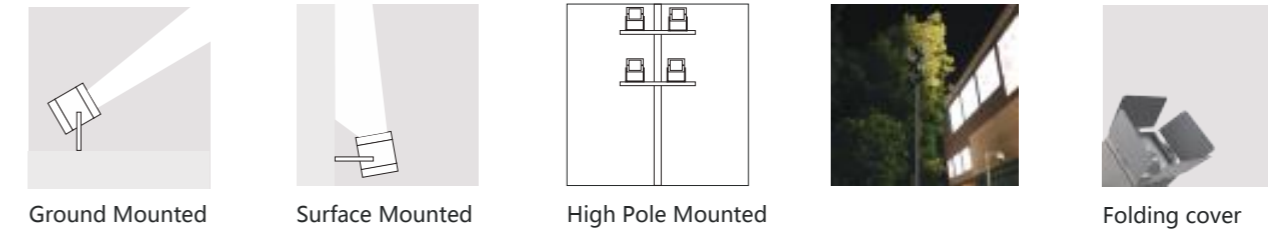
LED Floodlight Alioth

AVX7481.XX 21W

AVX7481 are small version of Alioth which come with different watts of COB LED, completed with precise and high reflection aluminum reflector, high lighting output, low energy consumption, long lifetime. Triac dimming and 0-10V dimming are for option.

The character of dissipation of aluminum ensures well operation and long lifetime. IP65. Corrosion resistant powder painting. Alioth is capable to be applied outdoor.

Alioth is applied widely in lighting on buildings, views, sculptures, advertisement brands, artistic decoration and some other working places and is also a best option to replace traditional lighting products.

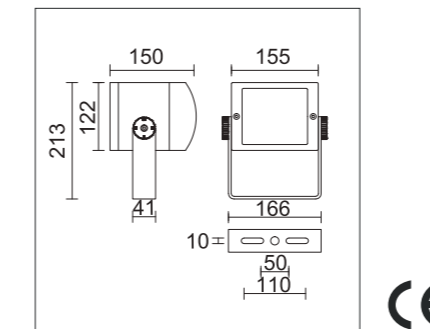


LED Floodlight

Technical Data : Die casting aluminum housing
 Aluminum reflector with high reflection , precise distribution
 Optional lighting beam angles : 5° , 15° , 25° , 45° , 60° , 15°*50° , 10°*60°
 Imported silicon rubber ring
 High intensity tempered glass
 Constant current drive
 Aluminum adjustable bracket
 Available square die casting aluminum mounting base
 Stainless steel screws
LED : High Power LED 1w x16
 XX: 01=3000K, 08=4000K, 02=6000K, 03=R.G.B
 04=Red, 05=Green, 06=Blue, 07=Amber

Protection Rating : IP65

Dimension



Model No.	Lamp	Luminous Flux(lm)	Power(w)	CCT(k)	Beam angle	Voltage	▽	▽	🌀	▬	📦
AVX7481.01	LED	2000	21	3000	30°	100V~240V	302	604	605	701	318
AVX7481.02	LED	2272	21	6000	30°	100V~240V	302	604	605	701	318
AVX7481.03	LED	1280	21	R.G.B	30°	100V~240V	302	604	605	701	318

▽ Visor ▽ Spike 🌀 Fixing belt ▬ Square mounting base 📦 Folding cover

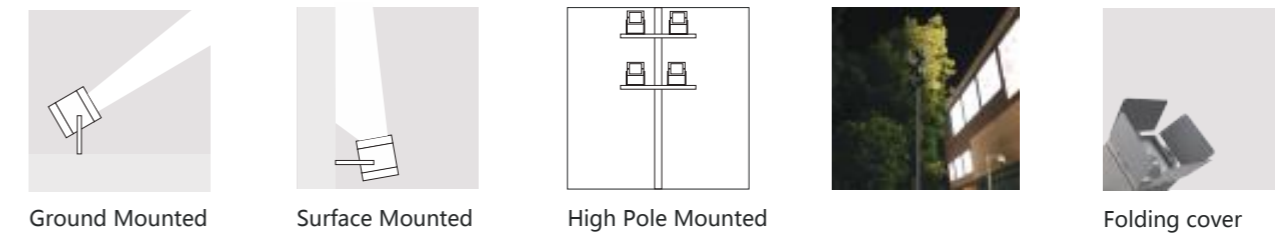
LED Floodlight Alioth

AVX7485.XX 30W

AVX7485 is a big version of Alioth which comes with Cree High Power LED, completed with precise optical lens and brand driver, high lighting output, low energy consumption, long lifetime. RGB, Triac dimming and 0-10V dimming are for option.

The character of dissipation of aluminum ensures well operation and long lifetime. IP65. Corrosion resistant powder painting. Alioth is capable to be applied outdoor.

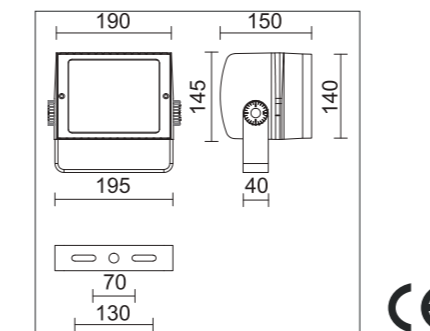
Alioth is applied widely in lighting on buildings, views, sculptures, advertisement brands, artistic decoration and some other working places and is also a best option to replace traditional lighting products.



LED Floodlight

Technical Data : Die casting aluminum housing
 Aluminum reflector with high reflection , precise distribution
 Optional lighting beam angles : 5° , 15° , 25° , 45° , 60° , 15°*50° , 10°*60°
 Imported silicon rubber ring
 High intensity tempered glass
 Constant current drive
 Aluminum adjustable bracket
 Available square die casting aluminum mounting base
 Stainless steel screws
LED : High Power LED 1w x24
 XX: 01=3000K, 08=4000K, 02=6000K, 03=R.G.B
 04=Red, 05=Green, 06=Blue, 07=Amber
Protection Rating : IP65

Dimension



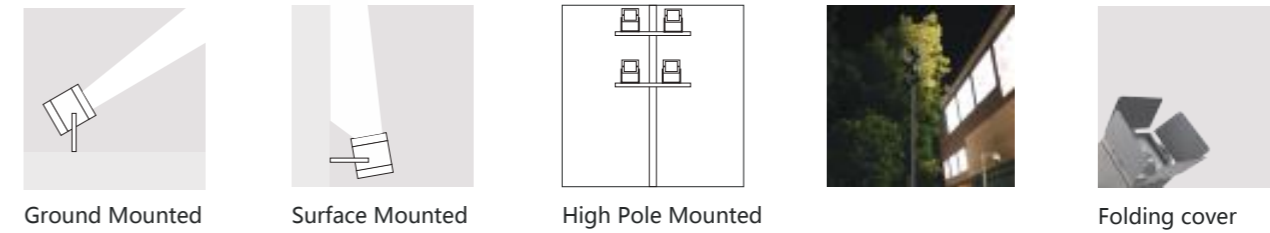
Model No.	Lamp	Luminous Flux(lm)	Power(w)	CCT(k)	Beam angle	Voltage	▽	▽	⌋	▬	◻
AVX7485.01	LED	3000	30	3000	25°	100V~240V	307	604	605	702	319
AVX7485.02	LED	3408	30	6000	25°	100V~240V	307	604	605	702	319
AVX7485.03	LED	1920	30	R.G.B	25°	100V~240V	307	604	605	702	319

▽ Visor ▽ Spike ⌋ Fixing belt ▬ Square mounting base ◻ Folding cover

LED Floodlight Alioth

AVX7600.XX 22W 10°x10° Lighting distribution. 100M lighting distance.

AVX7600 is a big version of Alioth which comes with 9 units Illumitex 2W LED chips, integrated optical lens, brand driver. High lighting output, low energy consumption, long lifetime. Triac dimming and 0-10V dimming are for option. The character of dissipation of aluminum ensures well operation and long lifetime. IP65. Corrosion resistant powder painting. Unique square lighting spot delivered by 10°optical lens meet some requests of special places. AkzoNobel powder painting, Alioth is capable to be applied outdoor.
Alioth is applied widely in lighting on buildings, views, sculptures, advertisement brands, artistic decoration and some other working places.
Alioth can be also used as accent lighting for it's unique lighting spot and extremely high lighting efficiency.

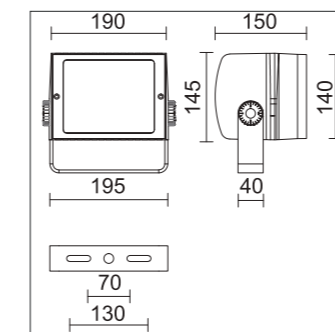


LED Floodlight

Technical Data : Die casting aluminum housing
Precise integrated optical lens, square beam angle
Beam angle : 10°x10°
Imported silicon rubber ring
High intensity tempered glass
Constant current drive
Aluminum adjustable bracket
Available square die casting aluminum mounting base
Stainless steel screws
LED : LED 2w x9
XX: 01=3000K, 08=4000K, 02=5700K,
04=Red, 05=Green, 06=Blue

Protection Rating : IP65

Dimension



Model No.	Lamp	Luminous Flux(lm)	Power(w)	CCT(k)	Beam angle	Voltage	▽	▽	🌀	▬	📦
AVX7600.01	LED	900	16	3000	10°x10°	100V~240V	307	604	605	702	319
AVX7600.02	LED	1080	16	5700	10°x10°	100V~240V	307	604	605	702	319

▽ Visor ▽ Spike 🌀 Fixing belt ▬ Square mounting base 📦 Folding cover



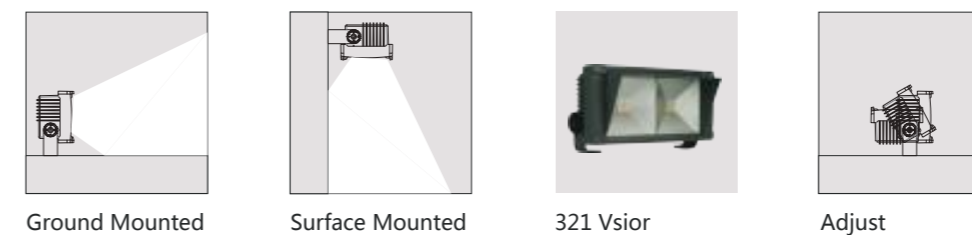
LED Floodlight Alioth

AVX7323.XX 30W

AVX7323 is a small compressed version of Alioth which comes with 2 units Cree COB LED chips, completed with professional reflector and brand driver. High lighting output, low energy consumption, long lifetime. Triac dimming and 0-10V dimming are for option.

Attractive compressed designation, die casting aluminum housing, IP65. Optimized heat dissipation structure ensures stability of lighting output and long lifetime. Different lighting beam angles, corrosion resistant powder painting. Alioth is capable to be applied outdoor.

Alioth is applied widely in lighting on buildings, views, sculptures, advertisement brands, artistic decoration and some other working places and is also a best option to replace traditional lighting products.



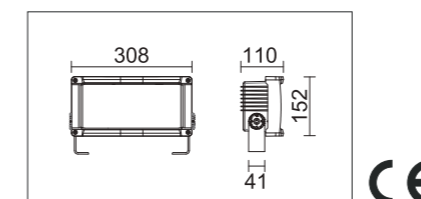
LED Floodlight

Technical Data : Die casting aluminum housing
 Aluminum reflector with high reflection
 Wide lighting beam angle : 120°
 Imported silicon rubber ring
 High intensity tempered glass
 Constant current drive
 Aluminum adjustable bracket
 Two kinds of dimming: Triac dimming and 0-10V dimming
 Stainless steel screws

LED : COB LED
 XX: 01=3000K, 08=4000K, 02=5000K

Protection Rating : IP65

Dimension



Model No.	Lamp	Luminous Flux(lm)	Power(w)	CCT(k)	Beam angle	Voltage	▽	☐
AVX7323.01	LED	3874	30	3000	120°	100V~240V	321	323
AVX7323.02	LED	3970	30	5000	120°	100V~240V	321	323

▽ Visor ☐ Folding cover

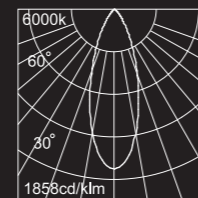
LED Floodlight Alioth

AVX7277.XX 44W

AVX7277 is a small compressed version of Alioth which comes with 36 units Cree High Power LED chips, completed with precise optical lens and brand driver. High lighting output, low energy consumption, long lifetime. Different dimming options

Attractive compressed designation, die casting aluminum housing, IP65. Optimized heat dissipation structure ensures stability of lighting output and long lifetime. Different lighting beam angles, corrosion resistant powder painting. Alioth is capable to be applied outdoor.

Alioth is applied widely in lighting on buildings, views, sculptures, advertisement brands, artistic decoration and some other working places and is also a best option to replace traditional lighting products.



Ø(m)	h(m)	E(k) 3000k
4.75	+10	53
3.80	+8	83
2.85	+6	149
1.90	+4	335
0.95	+2	1337

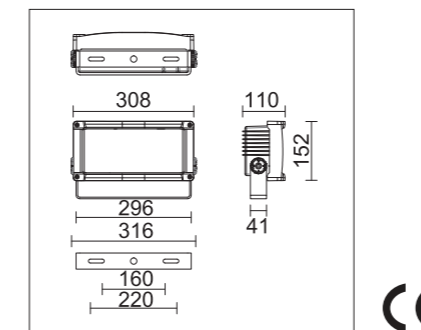


LED Floodlight

Technical Data : Die casting aluminum housing
 Precise optical lens and lighting distribution
 Optional lighting beam angles : 5° , 15° , 25° , 45° , 60° , 15°*50° , 10°*60°
 Imported silicon rubber ring
 High intensity tempered glass
 Constant current drive
 Aluminum adjustable bracket
 Two kinds of dimming: Triac dimming and 0-10V dimming
 Stainless steel screws
 LED : High Power LED 1w x36
 XX: 01=3000K, 08=4000K, 02=6000K, 03=R.G.B
 04=Red, 05=Green 06=Blue

Protection Rating : IP65

Dimension



Model No.	Lamp	Luminous Flux(lm)	Power(w)	CCT(k)	Beam angle	Voltage	▽	☐
AVX7277.01	LED	4500	44	3000	25°	100V~240V	321	323
AVX7277.02	LED	5112	44	6000	25°	100V~240V	321	323

▽ Viosr ☐ Folding cover



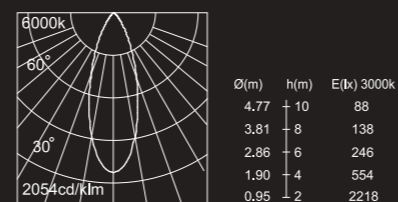
LED Floodlight Alioth

AVX7297.XX 67W

AVX7297 is a big compressed version of Alioth which comes with 54 units Cree High Power LED chips, completed with precise optical lens and brand driver. High lighting output, low energy consumption, long lifetime. Different dimming options

Attractive compressed designation, die casting aluminum housing, IP65. Optimized heat dissipation structure ensures stability of lighting output and long lifetime. Different lighting beam angles, corrosion resistant powder painting. Alioth is capable to be applied outdoor.

Alioth is applied widely in lighting on buildings, views, sculptures, advertisement brands, artistic decoration and some other working places and is also a best option to replace traditional lighting products.

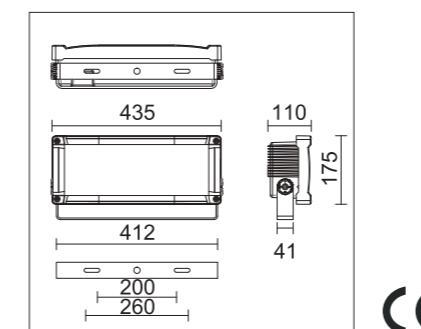


LED Floodlight

Technical Data : Die casting aluminum housing
 Precise optical lens and lighting distribution
 Optional lighting beam angles : 5° , 15° , 25° , 45° , 60° , 15°*50° , 10°*60°
 Imported silicon rubber ring
 High intensity tempered glass
 Constant current drive
 Aluminum adjustable bracket
 Two kinds of dimming: Triac dimming and 0-10V dimming
 Stainless steel screws
 LED : High Power LED 1w x54
 XX: 01=3000K, 03=R.G.B, 08=4000K, 02=6000K ,
 04=Red, 05=Green, 06=Blue

Protection Rating : IP65

Dimension



Model No.	Lamp	Luminous Flux(lm)	Power(w)	CCT(k)	Beam angle	Voltage	▽	☐
AVX7297.01	LED	6750	67	3000	25°	100V~240V	322	324
AVX7297.02	LED	7668	67	6000	25°	100V~240V	322	324

▽ Viors ☐ Folding cover



LED Floodlight Alioth

AVX7280.XX 35W

AVX7280 is a small compressed version of Alioth which comes with 8 units COB LED chips, completed with professional reflector and brand driver. High lighting output, low energy consumption, long lifetime. 120° lighting beam angle.

Attractive compressed designation, die casting aluminum housing, IP65. Optimized heat dissipation structure ensures stability of lighting output and long lifetime. Different lighting beam angles, corrosion resistant powder painting. Alioth is capable to be applied outdoor.

Alioth is applied widely in lighting on buildings, views, sculptures, advertisement brands, artistic decoration and some other working places and is also a best option to replace traditional lighting products.



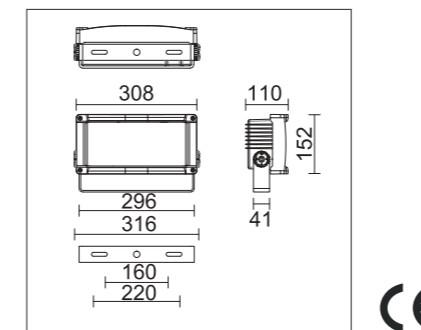
LED Floodlight

Technical Data : Die casting aluminum housing
 ABS stepping Reflector
 Optional lighting beam angles : 120°
 Imported silicon rubber ring
 High intensity tempered glass
 Constant current drive
 Aluminum adjustable bracket
 Stainless steel screws

LED : COB LED 4w x8
 XX: 01=3000K, 08=4000K, 02=5700K

Protection Rating : IP65

Dimension



Model No.	Lamp	Luminous Flux(lm)	Power(w)	CCT(k)	Beam angle	Voltage	▽	☐
AVX7280.01	LED	3440	35	3000	120°	100V~240V	321	323
AVX7280.02	LED	3680	35	5000	120°	100V~240V	321	323

▽ Viors ☐ Folding cover

LED Floodlight Alioth

AVX7300.XX 50W

AVX7300 is a big compressed version of Alioth which comes with 12 units COB LED chips, completed with professional reflector and brand driver. High lighting output, low energy consumption, long lifetime. 120° lighting beam angle.

Attractive compressed designation, die casting aluminum housing, IP65. Optimized heat dissipation structure ensures stability of lighting output and long lifetime. Different lighting beam angles, corrosion resistant powder painting. Alioth is capable to be applied outdoor.

Alioth is applied widely in lighting on buildings, views, sculptures, advertisement brands, artistic decoration and some other working places and is also a best option to replace traditional lighting products.



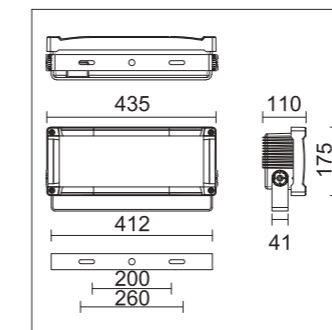
LED Floodlight

Technical Data : Die casting aluminum housing
 ABS stepping Reflector
 Optional lighting beam angles : 120°
 Imported silicon rubber ring
 High intensity tempered glass
 Constant current drive
 Aluminum adjustable bracket
 Stainless steel screws

LED : COB LED 4w x12
 XX: 01=3000K, 08=4000K, 02=5700K

Protection Rating : IP65

Dimension



Model No.	Lamp	Luminous Flux(lm)	Power(w)	CCT(k)	Beam angle	Voltage	▽	☐
AVX7300.01	LED	5160	50	3000	120°	100V~240V	322	324
AVX7300.02	LED	5520	50	5000	120°	100V~240V	322	324

▽ Viors ☐ Folding cover



LED Linear Floodlight Alioth

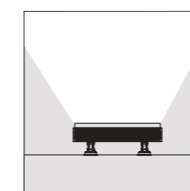
AVX7412.XX 22W, AVX7415.XX 45W, AVX7418.XX 67W, AVX7426.XX 90W

Linear floodlight is a special version of Alioth which comes with Cree High Power LED chips, completed with precise optical lens and brand driver. High lighting output, low energy consumption, long lifetime.

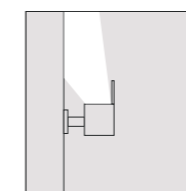
Different dimming options

Rectangular appearance, die casting aluminum end cap and mounting bracket, extruded aluminum housing. IP65. Optimized heat dissipation structure ensures stability of lighting output and long lifetime. Different lighting beam angles, corrosion resistant powder painting. Alioth is capable to be applied outdoor.

Alioth is applied widely in lighting on buildings, views, sculptures, advertisement brands, artistic decoration and some other working places and is also a best option to replace traditional lighting products.



Ground Mounted



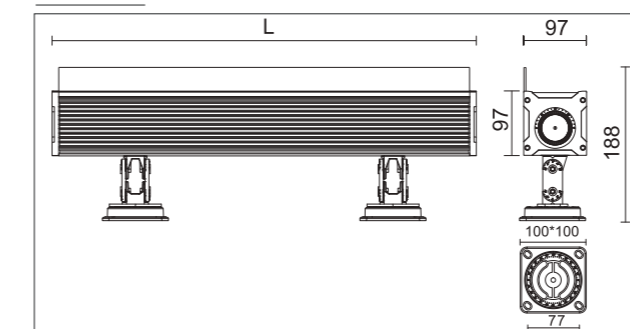
Surface Mounted

Technical Data : Die casting aluminum housing
 Precise optical lens and lighting distribution
 Optional lighting beam angles : 5° , 15° , 25° , 45° , 60° , 15°*50° , 10°*60°
 Imported silicon rubber ring, High intensity tempered glass
 Constant current drive
 Two kinds of dimming: Triac dimming and 0-10V dimming
 Stainless steel screws

LED:
 High Power LEDAVX7412 1w x18; AVX7415 1w x36; AVX7418 1w x54; AVX7426 1w x72
 XX: 01=3000K, 08=4000K, 03=R.G.B, 02=6000K, 04=Red, 05=Green, 06=Blue

Protection Rating : IP65

Dimension



Model No.	Lamp	Luminous Flux(lm)	Power(w)	CCT(k)	Beam angle	Voltage	L(mm)
AVX7412.01	LED	2250	22	3000	45°	100V~240V	244
AVX7412.02	LED	2556	22	6000	45°	100V~240V	244
AVX7412.03	LED	1440	22	R.G.B	45°	24V.DC	244
AVX7415.01	LED	4500	45	3000	45°	100V~240V	457
AVX7415.02	LED	4512	45	6000	45°	100V~240V	457
AVX7415.03	LED	2880	45	R.G.B	45°	24V.DC	457
AVX7418.01	LED	6750	67	3000	45°	100V~240V	670
AVX7418.02	LED	7668	67	6000	45°	100V~240V	670
AVX7418.03	LED	4320	67	R.G.B	45°	24V.DC	670
AVX7426.01	LED	9000	90	3000	45°	100V~240V	883
AVX7426.02	LED	10224	90	6000	45°	100V~240V	883
AVX7426.03	LED	5760	90	R.G.B	45°	24V.DC	883



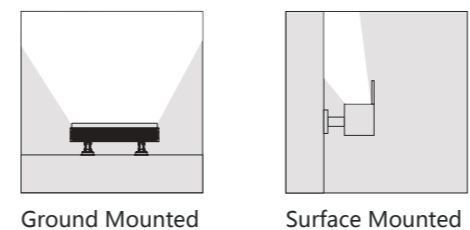
LEDLinear Floodlight Alioth

AVX7400.XX 24W, AVX7403.XX 48W, AVX7406.XX 73W, AVX7409.XX 97W

This is a special version of Alioth which comes with COB LED chips, completed with professional reflector and brand driver. High lighting output, low energy consumption, long lifetime. Different watts and lengths allow different applications.

Rectangular appearance, die casting aluminum end cap and mounting bracket, extruded aluminum housing, IP65. Optimized heat dissipation structure ensures stability of lighting output and long lifetime. Different lighting beam angles, corrosion resistant powder painting. Alioth is capable to be applied outdoor.

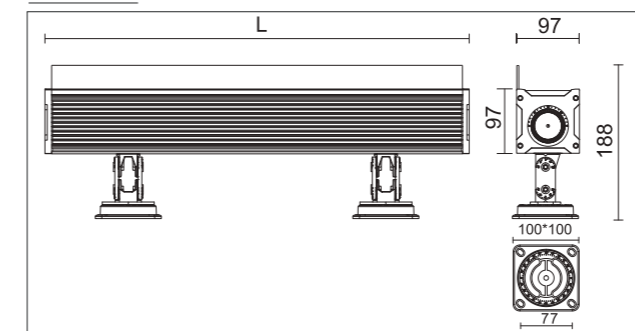
Alioth is applied widely in lighting on buildings, views, sculptures, advertisement brands, artistic decoration and some other working places and is also a best option to replace traditional lighting products.



Technical Data : Die casting aluminum housing
 ABS stepping Reflector
 Imported silicon rubber ring,High intensity tempered glass
 Constant current drive
 Aluminum adjustable bracket
 Stainless steel screws
 LED: COB LED AVX7400 4w x3; AVX7403 4w x6;
 AVX7406 4w x9; AVX7409 4w x12
 XX: 01=3000K, 08=4000K, 02=5000K

Protection Rating : IP65

Dimension



Model No.	Lamp	Luminous Flux(lm)	Power(w)	CCT(k)	Beam angle	Voltage	L(mm)
AVX7400.01	LED	1290	15	3000	120°	100V~240V	244
AVX7400.02	LED	1380	15	5000	120°	100V~240V	244
AVX7403.01	LED	2580	28	3000	120°	100V~240V	457
AVX7403.02	LED	2760	28	5000	120°	100V~240V	457
AVX7406.01	LED	3870	40	3000	120°	100V~240V	670
AVX7406.02	LED	4140	40	5000	120°	100V~240V	670
AVX7409.01	LED	5160	50	3000	120°	100V~240V	883
AVX7409.02	LED	5520	50	5000	120°	100V~240V	883





Linear Luminaires IP65

LED Linear Wall Washer Rainbow

AVX6600.XX 16W, AVX6600.03 24W, AVX6602.XX 30W, AVX6602.03 42W

Rainbow is a optimization of modern electronic information technology and intelligentized lighting, makes architectures have their own colors and perform themselves fantastic at night. The concept about the traditional lighting has been changed greatly along with the LED technology developing.

Controlled by PC, Rainbow appears various color change modes and effects. High coordination between colors and architectures. High uniformity and CRI. IP65.

No ultraviolet radiation, no infrared ray. Low energy consumption, low maintenance cost. 50000hrs lifetime.

Digital control system. Any independent functions or customized modes can be addressed by DMX512 controller. Up to 16.7 million different hues theoretically.



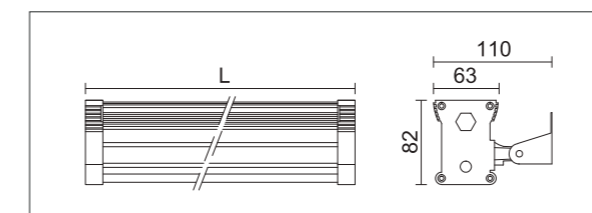
LED Linear wall washer

Technical Data : Extruded aluminum housing
 Stainless steel mounting bracket
 Optional lighting beam angles : 5° , 15° , 25° , 45° , 60° , 15°*50° , 10°*60°
 Imported silicon rubber ring
 High intensity tempered glass
 Two kinds of dimming: Triac dimming and 0-10V dimming

LED : High Power LED
 AVX6600 1w x12, AVX6600.03 1w x18, AVX6602 1w x24, AVX6602.03 1w x36
 XX: 01=3000K, 08=4000K, 02=6000K, ,03=R.G.B, 04=Red, 05=Green, 06=Blue

Protection Rating : IP65

Dimension



Model No.	Lamp	Luminous Flux(lm)	Power(w)	CCT(k)	Beam angle	Voltage	L(mm)	Shield
AVX6600.01	LED	1500	16	3000	15°x50°	100V~240V	473	325
AVX6600.02	LED	1704	16	6000	15°x50°	100V~240V	473	325
AVX6600.03	LED	1080	24	R.G.B	15°x50°	100V~240V	473	325
AVX6602.01	LED	3000	30	3000	15°x50°	100V~240V	920	326
AVX6602.02	LED	3408	30	6000	15°x50°	100V~240V	920	326
AVX6602.03	LED	2160	42	R.G.B	15°x50°	100V~240V	920	326

Shield

LED Linear Wall Washer Rainbow

AVX6638.XX 42W, AVX6641.XX 67W, AVX6645.XX 90W

Rainbow is a optimization of modern electronic information technology and intelligentized lighting, makes architectures have their own colors and perform themselves fantastic at night. The concept about the traditional lighting has been changed greatly along with the LED technology developing.

Controlled by PC, Rainbow appears various color change modes and effects. High coordination between colors and architectures. High uniformity and CRI. IP65.

No ultraviolet radiation, no infrared ray. Low energy consumption, low maintenance cost. 50000hrs lifetime.

Digital control system. Any independent functions or customized modes can be addressed by DMX512 controller. Up to 16.7 million different hues theoretically.



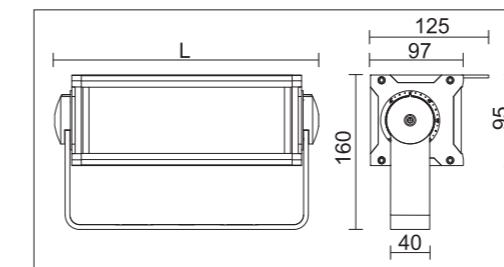
LED Linear wall washer

Technical Data : Extruded aluminum housing
Stainless steel mounting bracket
Optional lighting beam angles : 5° , 15° , 25° , 45° , 60° , 15°*50° , 10°*60°
Imported silicon rubber ring
High intensity tempered glass
Two kinds of dimming: Triac dimming and 0-10V dimming

LED : High Power LED
AVX6638 1w x36, AVX6641 1w x54, AVX6645 1w x72
XX: 01=3000K, 08=4000K, 02=6000K, 03=R.G.B, 04=R, 05=Green, 06=Blue

Protection Rating : IP65

Dimension



Model No.	Lamp	Luminous Flux(lm)	Power(w)	CCT(k)	Beam angle	Voltage	L(mm)
AVX6638.01	LED	4500	42	3000	15°x50°	100V~240V	490
AVX6638.02	LED	4512	42	6000	15°x50°	100V~240V	490
AVX6638.03	LED	2880	42	R.G.B	15°x50°	24V.DC	490
AVX6641.01	LED	6750	67	3000	15°x50°	100V~240V	703
AVX6641.02	LED	7668	67	6000	15°x50°	100V~240V	703
AVX6641.03	LED	4320	67	R.G.B	15°x50°	24V.DC	703
AVX6645.01	LED	9000	90	3000	15°x50°	100V~240V	916
AVX6645.02	LED	10224	90	6000	15°x50°	100V~240V	916
AVX6645.03	LED	5760	90	R.G.B	15°x50°	24V.DC	916



LED Linear Wall Washer Rainbow

AVX6603.XX 30W, AVX6609.XX 15W, AVX6599.XX 18W

Rainbow is a optimization of modern electronic information technology and intelligentized lighting, makes architectures have their own colors and perform themselves fantastic at night. The concept about the traditional lighting has been changed greatly along with the LED technology developing.

Controlled by PC, Rainbow appears various color change modes and effects. High coordination between colors and architectures. High uniformity and CRI. IP65.

No ultraviolet radiation, no infrared ray. Low energy consumption, low maintenance cost. 50000hrs lifetime.

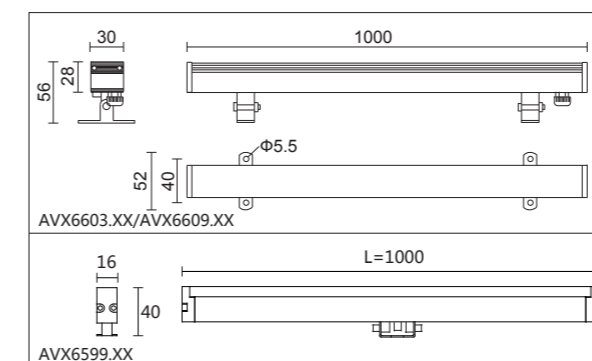
Digital control system. Any independent functions or customized modes can be addressed by DMX512 controller. Up to 16.7 million different hues theoretically.



LED Linear wall washer

Technical Data : Extruded aluminum housing
Stainless steel mounting bracket
Optional lighting beam angles: AVX6603: 15°,25°, 45°, 60°, 25°x35°, 15°x40°
AVX6609: 30°, 45°, 60°, 30°x45°
Imported silicon rubber ring
High intensity tempered glass/PC
Low voltage input, safety and reliability
AVX6603 LED 1w x24, AVX6609 LED 0.3W x48, AVX6599 0.5Wx36
XX: 01=3000K, 08=4000K, 02=6000K, 03=R.G.B, 04=R, 05=Green, 06=Blue
Protection Rating : IP65

Dimension



Model No.	Lamp	Luminous Flux(lm)	Power(w)	CCT(k)	Beam angle	Voltage
AVX6603.01	LED	2632	30	3000	25°x35°	24V.DC
AVX6603.02	LED	2803	30	6000	25°x35°	24V.DC
AVX6603.03	LED	1539	30	R.G.B	25°x35°	24V.DC
AVX6609.01	LED	720	15	3000	30°x45°	24V.DC
AVX6609.02	LED	960	15	6000	30°x45°	24V.DC
AVX6609.03	LED	480	15	R.G.B	30°x45°	24V.DC
AVX6599.01	LED	1600	18	3000	40°	24V.DC
AVX6599.02	LED	1520	18	6000	40°	24V.DC



AVX6603.XX/AVX6609.XX



AVX6599.XX

LED Linear Wall Washer Rainbow

AVX6659.XX 15W, AVX6660.XX 22W, AVX6661.XX 30W, AVX6662.XX 44W

Rainbow is a optimization of modern electronic information technology and intelligentized lighting, makes architectures have their own colors and perform themselves fantastic at night. The concept about the traditional lighting has been changed greatly along with the LED technology developing.

Controlled by PC, Rainbow appears various color change modes and effects. High coordination between colors and architectures. High uniformity and CRI. IP65.

No ultraviolet radiation, no infrared ray. Low energy consumption, low maintenance cost. 50000hrs lifetime.

Digital control system. Any independent functions or customized modes can be addressed by DMX512 controller. Up to 16.7 million different hues theoretically.



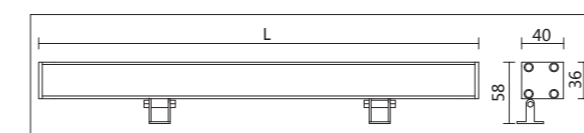
LED Linear wall washer

Technical Data : Extruded aluminum housing
 Stainless steel mounting bracket
 Optional lighting beam angles: AVX6659/AVX6661: 15°, 25°, 45°, 60°, 15°*50°, 10°*60°
 AVX6660/AVX6662: 15, 25, 45, 60, 25 *45
 Imported silicon rubber ring
 High intensity tempered glass
 Low voltage input, safety and reliability

LED : High Power LED
 AVX6659 1w x12; AVX6660 1w x18; AVX6661 1w x24; AVX6662 1w x36
 XX: 01=3000K, 08=4000K, 02=6000K, 03=R.G.B, 04=Red, 05=Green, 06=Blue

Protection Rating : IP65

Dimension



Model No.	Lamp	Luminous Flux(lm)	Power(w)	CCT(k)	Beam angle	Voltage	L(mm)
AVX6659.01	LED	1316	15	3000	15°*50°	24V.DC	506
AVX6659.03	LED	1026	15	R.G.B	15°*50°	24V.DC	506
AVX6660.01	LED	1974	22	3000	25°*45°	24V.DC	506
AVX6660.03	LED	1539	22	R.G.B	25°*45°	24V.DC	506
AVX6661.01	LED	2632	30	3000	15°*50°	24V.DC	1000
AVX6661.03	LED	2052	30	R.G.B	15°*50°	24V.DC	1000
AVX6662.01	LED	3949	44	3000	25°*45°	24V.DC	1000
AVX6662.03	LED	3078	44	R.G.B	25°*45°	24V.DC	1000



LED Linear Wall Washer Rainbow

AVX6615.XX 15W, AVX6615.03 18W, AVX6617.XX 30W, AVX6617.03 36W

Rainbow is a optimization of modern electronic information technology and intelligentized lighting, makes architectures have their own colors and perform themselves fantastic at night. The concept about the traditional lighting has been changed greatly along with the LED technology developing.

Controlled by PC, Rainbow appears various color change modes and effects. High coordination between colors and architectures. High uniformity and CRI. IP65.

No ultraviolet radiation, no infrared ray. Low energy consumption, low maintenance cost. 50000hrs lifetime.

Digital control system. Any independent functions or customized modes can be addressed by DMX512 controller. Up to 16.7 million different hues theoretically.



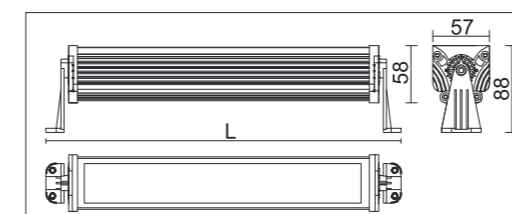
LED Linear wall washer

Technical Data : Extruded aluminum housing
 Stainless steel mounting bracket
 Optional lighting beam angles : 5° , 15° , 25° , 45° , 60° , 15°*50° , 10°*60°
 Imported silicon rubber ring
 High intensity tempered glass
 Low voltage input, safety and reliability

LED : High Power LED
 AVX6615 1w x12; AVX6615.03 1w x18; AVX6617 1w x24; AVX6617.03 1w x36
 XX: 01=3000K, 08=4000K, 02=6000K, 03=R.G.B, 04=Red, 05=Green, 06=Blue

Protection Rating : IP65

Dimension



Model No.	Lamp	Luminous Flux(lm)	Power(w)	CCT(k)	Beam angle	Voltage	L(mm)
AVX6615.01	LED	1316	15	3000	15°*50°	24V.DC	546
AVX6615.02	LED	1401	15	6000	15°*50°	24V.DC	546
AVX6615.03	LED	1539	18	R.G.B	15°*50°	24V.DC	546
AVX6617.01	LED	2632	30	3000	15°*50°	24V.DC	1016
AVX6617.02	LED	2802	30	6000	15°*50°	24V.DC	1016
AVX6617.03	LED	3078	36	R.G.B	15°*50°	24V.DC	1016



LED Linear Wall Washer Rainbow

AVX6657.XX 44W

Rainbow is a optimization of modern electronic information technology and intelligentized lighting, makes architectures have their own colors and perform themselves fantastic at night. The concept about the traditional lighting has been changed greatly along with the LED technology developing.

Controlled by PC, Rainbow appears various color change modes and effects. High coordination between colors and architectures. High uniformity and CRI. IP65.

No ultraviolet radiation, no infrared ray. Low energy consumption, low maintenance cost. 50000hrs lifetime.

Digital control system. Any independent functions or customized modes can be addressed by DMX512 controller. Up to 16.7 million different hues theoretically.



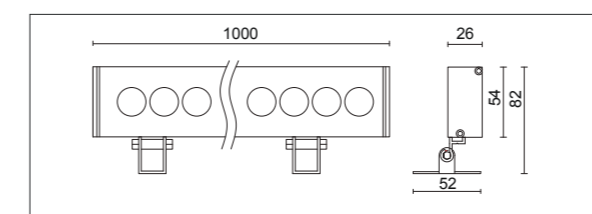
LED Linear wall washer

Technical Data : Extruded aluminum housing
 Stainless steel mounting bracket
 Optional lighting beam angles : 15° , 25° , 45° , 60° , 25°*45°
 Imported silicon rubber ring
 High intensity tempered glass

LED : High Power LED 1w x36
 XX: 01=3000K, 08=4000K, 02=6000K, 03=R.G.B, 04=Red, 05=Green, 06=Blue

Protection Rating : IP65

Dimension



Model No.	Lamp	Luminous Flux(lm)	Power(w)	CCT(k)	Beam angle	Voltage
AVX6657.01	LED	3945	44	3000	25°*45°	24V.DC
AVX6657.02	LED	4176	44	6000	25°*45°	24V.DC
AVX6657.03	LED	2700	44	R.G.B	25°*45°	24V.DC

LED Linear Wall Washer Rainbow

AVX6606.XX 12W, AVX6607.XX 12W

Rainbow is a optimization of modern electronic information technology and intelligentized lighting, makes architectures have their own colors and perform themselves fantastic at night. The concept about the traditional lighting has been changed greatly along with the LED technology developing.

Controlled by PC, Rainbow appears various color change modes and effects. High coordination between colors and architectures. High uniformity and CRI. IP65.

No ultraviolet radiation, no infrared ray. Low energy consumption, low maintenance cost. 50000hrs lifetime.

Digital control system. Any independent functions or customized modes can be addressed by DMX512 controller. Up to 16.7 million different hues theoretically.

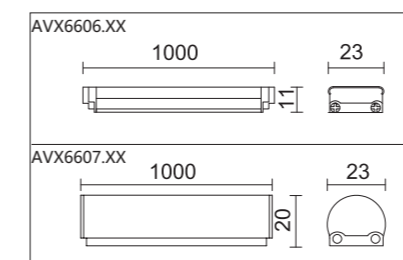


LED Linear wall washer

Technical Data : Extruded aluminum housing
 Extremely wide lighting distribution
 Optional lighting beam angles : 120°
 Imported silicon rubber ring
 Optical PC cover
 Low voltage input, safety and reliability
 Strong Lighting and Soft lighting
 SMD LED 0.3W x48
 XX: 01=3000K, 08=4000K , 02=6000K, 03=R.G.B
 04=Red , 05=Green , 06=Blue

Protection Rating : IP65

Dimension



Model No.	Lamp	Luminous Flux(lm)	Power(w)	CCT(k)	Beam angle	Voltage	Property
AVX6606.01	LED	600	12	3000	120°	24V.DC	Strong
AVX6606.02	LED	660	12	6000	120°	24V.DC	Strong
AVX6606.03	LED	540	12	R.G.B	120°	24V.DC	Strong
AVX6607.01	LED	600	12	3000	120°	24V.DC	Soft
AVX6607.02	LED	660	12	6000	120°	24V.DC	Soft
AVX6607.03	LED	540	12	R.G.B	120°	24V.DC	Soft



AVX6606.XX



AVX6607.XX

LED Linear Wall Washer Rainbow

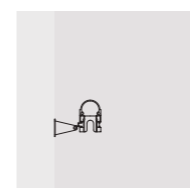
AVX6652.XX 12W

Rainbow is a optimization of modern electronic information technology and intelligentized lighting, makes architectures have their own colors and perform themselves fantastic at night. The concept about the traditional lighting has been changed greatly along with the LED technology developing.

Controlled by PC, Rainbow appears various color change modes and effects. High coordination between colors and architectures. High uniformity and CRI. IP65.

No ultraviolet radiation, no infrared ray. Low energy consumption, low maintenance cost. 50000hrs lifetime.

Digital control system. Any independent functions or customized modes can be addressed by DMX512 controller. Up to 16.7 million different hues theoretically.



Surface Mounting



Ground Mounting

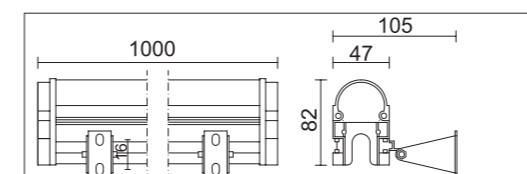
LED Linear wall washer

Technical Data : Extruded aluminum housing
Extremely wide lighting distribution
Optional lighting beam angles : 120°
Imported silicon rubber ring
Optical PC cover
Low voltage input, safety and reliability

LED : SMD LED 0.3W x48
XX: 01=3000K, 08=4000K, 02=6000K, 03=R.G.B
04=Red, 05=Green, 06=Blue, 07=Amber

Protection Rating : IP65

Dimension



Model No.	Lamp	Luminous Flux(lm)	Power(w)	CCT(k)	Beam angle	Voltage
AVX6652.01	LED	600	12	3000	120°	24V.DC
AVX6652.02	LED	660	12	6000	120°	24V.DC
AVX6652.03	LED	540	12	R.G.B	120°	24V.DC





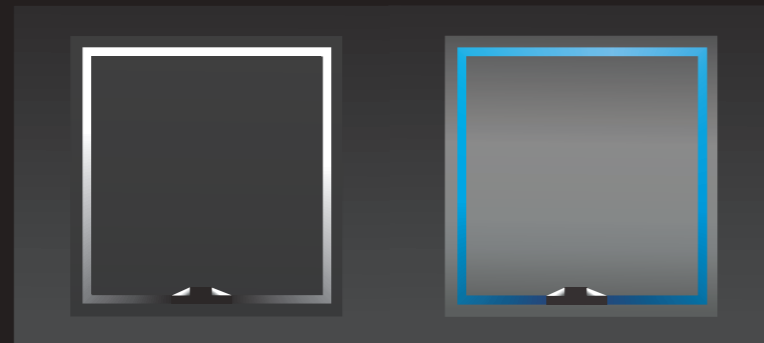
Wall Light

LED Window Lighting Mizar

AVX6367.XX 3W, AVX6368.XX 6W

This is specially designed to light on the frame of windows or others, comes with Cree high power LED, optimized with professional optical lens, the lighting strip keeps slim and uniformity. Small and invisible. No glare comes up behind the glass of window when it's working.

Applied in lighting on window of buildings or other frames.



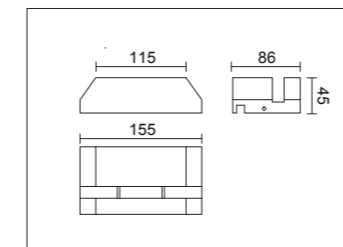
LED Window Lighting

Technical Data : Die casting aluminum housing
 Customized precise optical lens
 Lighting beam angle : 118°×12°
 Imported silicon rubber ring
 Optical PC cover

LED: AVX6367.XX High Power LED 2w x1; AVX6368.XX High Power LED 5w x1
 XX: 01=3000K, 08=4000K, 02=6000K
 04=Red, 05=Green, 06=Blue, 07=Amber

Protection Rating : IP65

Dimension



Model No.	Lamp	Luminous Flux(lm)	Power(w)	CCT(k)	Beam angle	Voltage
AVX6367.01	LED	214	3	3000	12°X180°	100V~240V
AVX6367.02	LED	228	3	6000	12°X180°	100V~240V
AVX6368.01	LED	502	6	3000	12°X180°	100V~240V
AVX6368.02	LED	620	6	6000	12°X180°	100V~240V



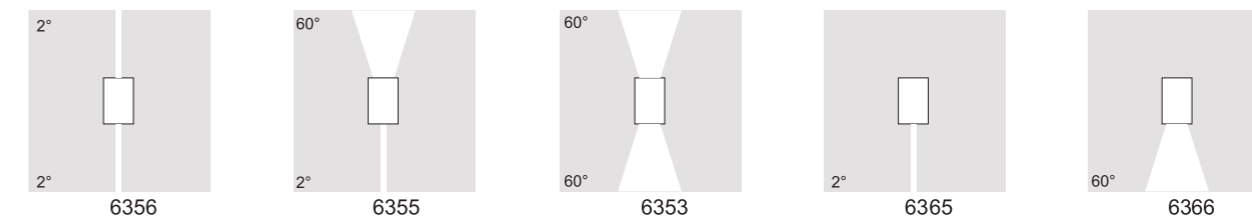
LED Wall Decoration Mizar

AVX6353.XX 5W, AVX6355.XX 5W, AVX6356.XX 5W, AVX6365.XX 3W, AVX6366.XX 3W

Mizar, using sublimation of lighting and preciseness of industrial technology, appears various of lighting beams and romances. With the application of LED, lighting becomes more pure and various. Development of digital control system makes controlling become more convenient and abundant.

Lighting, shadow and art are combined tightly and greatly in this series. LED is becoming the first option in modern society for it's longer lifetime, lower energy consumption and lower pollution. Die casting aluminum housing, durable and artistic. Small and invisible housing make Mizar in coordination with building and become more and more popular and incomparable.

Mizar can be installed on surface of buildings and glare is reduced to lowest by controlling.



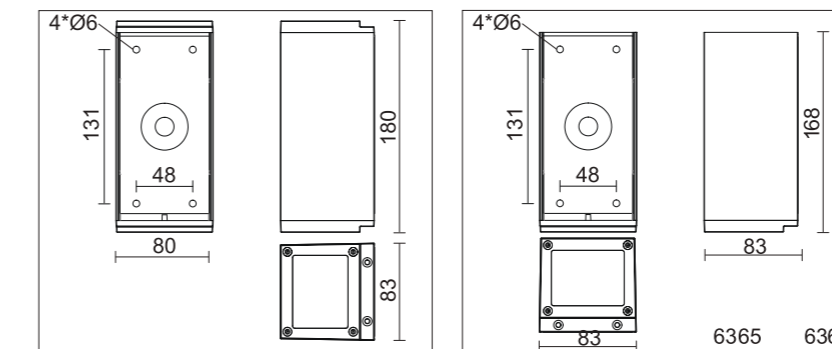
LED Wall Decoration

Technical Data : Die casting aluminum housing
 Precise optical lens and lighting distribution
 Optional lighting beam angle : 2° , 60°
 Imported silicon rubber ring
 High intensity tempered glass
 Constant current drive
 Stainless steel screws and mounting plate

LED: High Power LED AVX6353/AVX6355/AVX6356: 2w x2 700mA
 AVX6365/AVX6366: 2w x1 700mA
 XX: 01=3000K, 08=4000K, 02=6000K
 04=Red, 05=Green, 06=Blue, 07=Amber

Protection Rating : IP65

Dimension



Model No.	Lamp	Luminous Flux(lm)	Power(w)	CCT(k)	Beam angle	Voltage
AVX6353.01	LED	418	5	3000	60°/60°	100V~240V
AVX6353.02	LED	456	5	6000	60°/60°	100V~240V
AVX6355.01	LED	418	5	3000	2°/60°	100V~240V
AVX6355.02	LED	456	5	6000	2°/60°	100V~240V
AVX6356.01	LED	418	5	3000	2°/2°	100V~240V
AVX6356.02	LED	456	5	6000	2°/2°	100V~240V
AVX6365.01	LED	214	3	3000	2°	100V~240V
AVX6365.02	LED	228	3	6000	2°	100V~240V
AVX6366.01	LED	214	3	3000	60°	100V~240V
AVX6366.02	LED	228	3	6000	60°	100V~240V



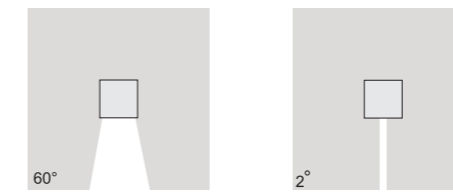
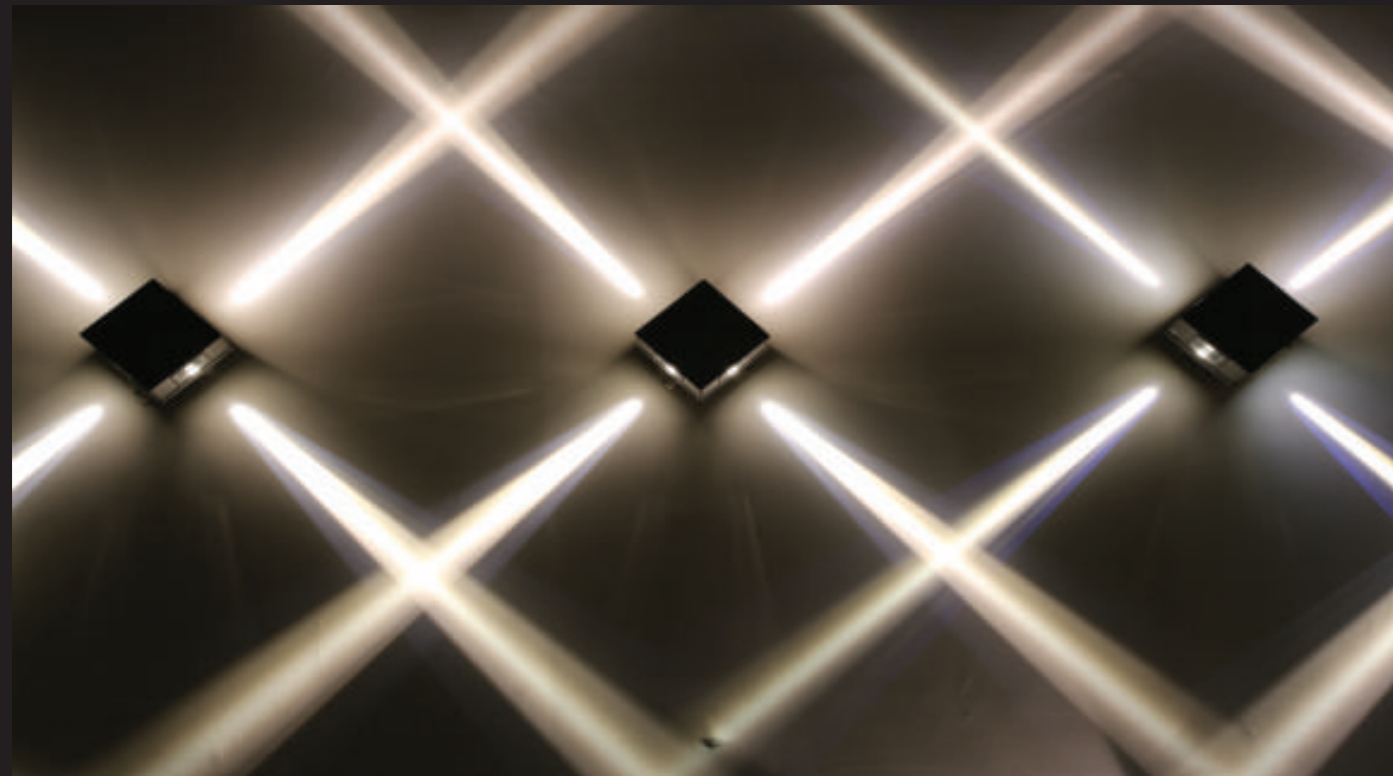
LED Wall Decoration Mizar

AVX6357.XX-1/AVX6357.XX-2 4W, AVX6358.XX-1/AVX6358.XX-2/AVX6357.XX-3/AVX6358.XX-4 6W, AVX6359.XX-1/AVX6359.XX-2 11W

Mizar, using sublimation of lighting and preciseness of industrial technology, appears various of lighting beams and romances. With the application of LED, lighting becomes more pure and various. Development of digital control system makes controlling become more convenient and abundant.

Lighting, shadow and art are combined tightly and greatly in this series. LED is becoming the first option in modern society for it's longer lifetime, lower energy consumption and lower pollution. Die casting aluminum housing, durable and artistic. Small and invisible housing make Mizar in coordination with building and become more and more popular and incomparable.

Mizar can be installed on surface of buildings and glare is reduced to lowest by controlling.



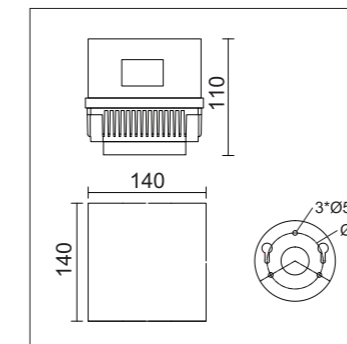
LED Wall decoration

Technical Data : Die casting aluminum housing
 Precise optical lens and lighting distribution
 Optional lighting beam angle : 2° , 60°
 Imported silicon rubber ring
 High intensity tempered glass
 Constant current drive
 Stainless steel screws and mounting plate
 Triac Dimming

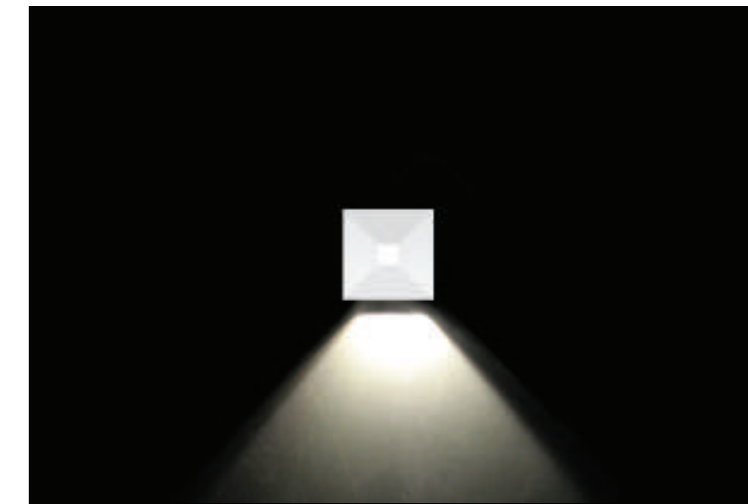
LED: High Power LED AVX6357.XX-1: 2w x1 700mA
 AVX6357.XX-2: 2w x1 700mA
 XX: 01=3000K, 08=4000K, 02=6000K,
 04=Red, 05=Green, 06=Blue, 07=Amber

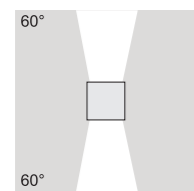
Protection Rating : IP65

Dimension

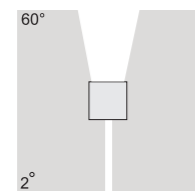


Model No.	Lamp	Luminous Flux(lm)	Power(w)	CCT(k)	Beam angle	Voltage
AVX6357.01-1LED		214	4	3000	60°	100V~240V
AVX6357.02-1LED		228	4	6000	60°	100V~240V
AVX6357.01-2LED		214	4	3000	2°	100V~240V
AVX6357.02-2LED		228	4	6000	2°	100V~240V

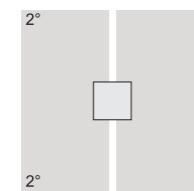




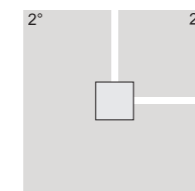
AVX6358.XX-1



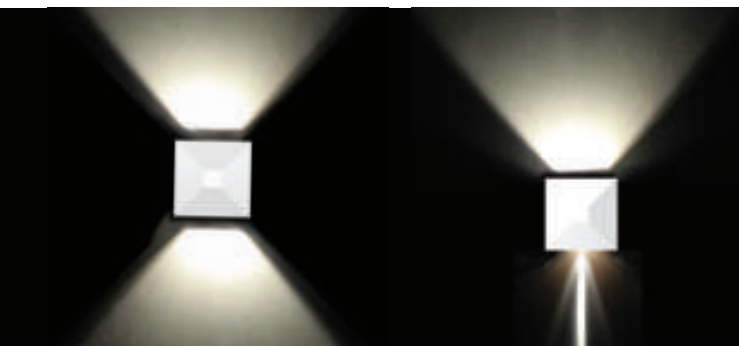
AVX6358.XX-2



AVX6358.XX-3



AVX6358.XX-4



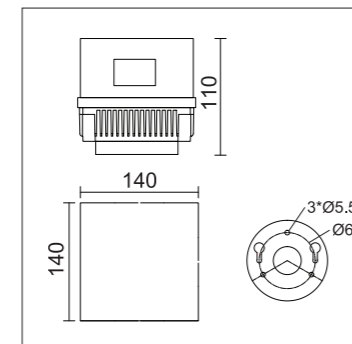
LED Wall decoration

Technical Data : Die casting aluminum housing
 Precise optical lens and lighting distribution
 Optional lighting beam angle : 2° , 60°
 Imported silicon rubber ring
 Constant current drive
 Stainless steel screws and mounting plate
 Triac Dimming

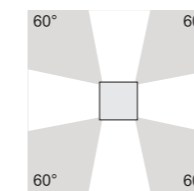
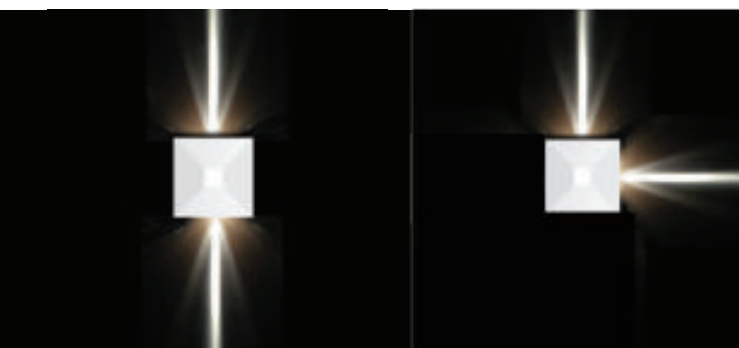
LED: High Power LED AVX6358.XX-1: 2w x2 700mA; AVX6358-2:2w x2 700mA
 AVX6358-3: 2w x2 700mA; AVX6358-4: 2w x2 700mA
 XX: 01=3000K, 08=4000K, 02=6000K, 04=Red, 05=Green, 06=Blue, 07=Amber

Protection Rating : IP65

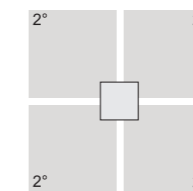
Dimension



Model No.	Lamp	Luminous Flux(lm)	Power(w)	CCT(k)	Beam angle	Voltage
AVX6358.01-1	LED	418	6	3000	60°/60°	100V~240V
AVX6358.01-2	LED	418	6	3000	60°/2°	100V~240V
AVX6358.01-3	LED	418	6	3000	2°/2°	100V~240V
AVX6358.01-4	LED	418	6	3000	2°/2°	100V~240V



AVX6359.01-1



AVX6359.01-2

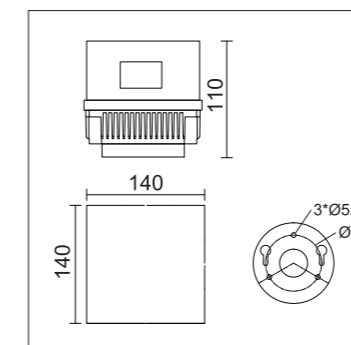
LED Wall decoration

Technical Data : Die casting aluminum housing
 Precise optical lens and lighting distribution
 Optional lighting beam angle : 2° , 60°
 Imported silicon rubber ring
 Constant current drive
 Stainless steel screws and mounting plate
 Triac Dimming

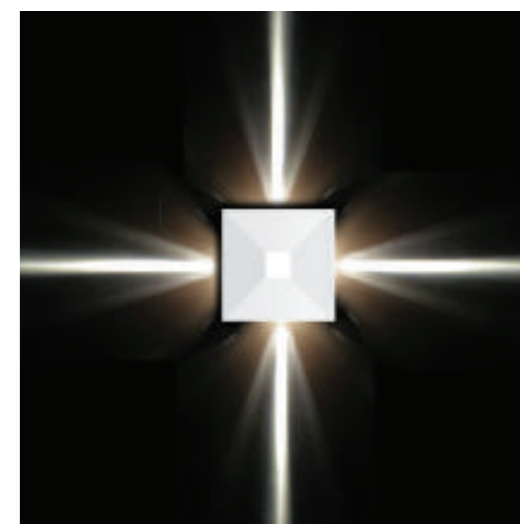
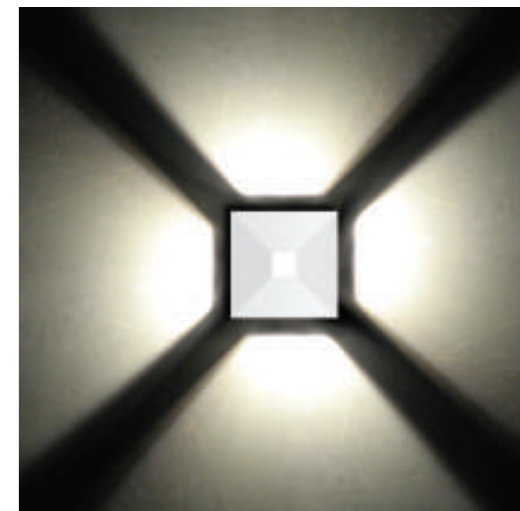
LED: High Power LED AVX6358.XX-1: 2w x2 700mA; AVX6358-2: 2w x2 700mA
 AVX6358-3: 2w x2 700mA; AVX6358-4: 2w x2 700mA
 XX: 01=3000K, 08=4000K, 02=6000K, 04=Red, 05=Green, 06=Blue, 07=Amber

Protection Rating : IP65

Dimension



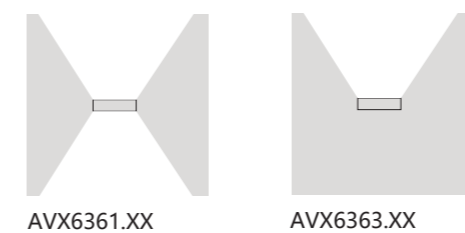
Model No.	Lamp	Luminous Flux(lm)	Power(w)	CCT(k)	Beam angle	Voltage
AVX6359.01-1	LED	864	11	3000	60°	100V~240V
AVX6359.01-2	LED	864	11	3000	2°	100V~240V



LED Rectangular Wall Decoration Mizar

AVX6361.XX 12W, AVX6363.XX 6W

It's well designed, both compact in concept and capable to be applied outdoor. Using brand and high quality LED, in built driver, line voltage input directly, different lighting options for different applications. Designed for building, corridor, pillar and wall.



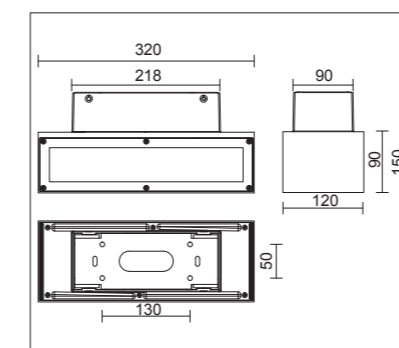
LED Rectangular wall decoration

Technical Data : Die casting aluminum housing
Optional lighting beam angle : 40°x85°
Imported silicon rubber ring
High intensity tempered glass
Constant current drive
Stainless steel screws ,Die casting aluminum mounting plate
Triac Dimming and 0-10V dimming are available

LED: High Power LED AVX6361.XX: 1w x6 x2
AVX6363.XX: 1w x6 x1
XX: 01=3000K, 08=4000K, 02=6000K, 04=Red, 05=Green, 06=Blue, 07=Amber

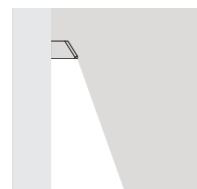
Protection Rating : IP65

Dimension

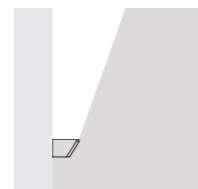


Model No.	Lamp	Luminous Flux(lm)	Power(w)	CCT(k)	Beam angle	Voltage
AVX6361.01	LED	1331	12	3000	40°*85°	100V~240V
AVX6361.02	LED	1540	12	6000	40°*85°	100V~240V
AVX6363.01	LED	665	6	3000	40°*85°	100V~240V
AVX6363.02	LED	770	6	6000	40°*85°	100V~240V

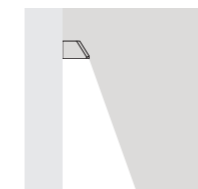




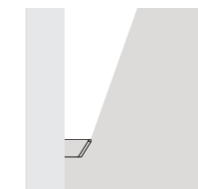
Down Lighting



Up Lighting



Down Lighting



Up Lighting



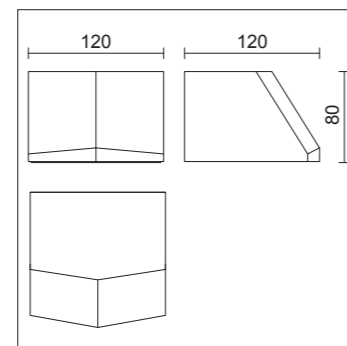
LED Rectangular wall decoration

Technical Data : Die casting aluminum housing
 Imported silicon rubber ring
 High intensity tempered glass
 Constant current drive
 Stainless steel screws and plate
 Triac Dimming and 0-10V dimming are available

LED: CREE SMD LED AVX6167.XX: 0.5w x10
 XX: 01=3000K, 08=4000K, 02=5000K

Protection Rating : IP65

Dimension



Model No.	Lamp	Luminous Flux(lm)	Power(w)	CCT(k)	Voltage
AVX6167.01	LED	665	7	3000	100V~240V
AVX6167.02	LED	770	7	6000	100V~240V
AVX6167.08	LED	715	7	4000	100V~240V

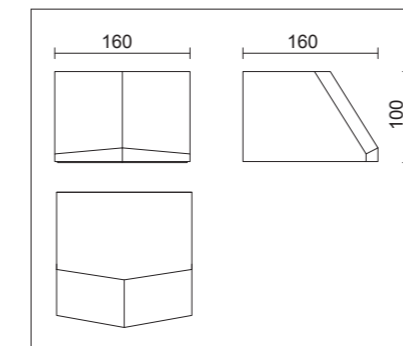
LED Rectangular wall decoration

Technical Data : Die casting aluminum housing
 Imported silicon rubber ring
 High intensity tempered glass
 Constant current drive
 Stainless steel screws and plate
 Triac Dimming and 0-10V dimming are available

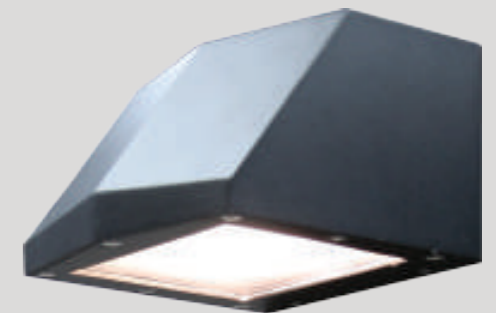
LED: CREE SMD LED AVX6167.XX: 0.5w x10
 XX: 01=3000K, 08=4000K, 02=5000K

Protection Rating : IP65

Dimension



Model No.	Lamp	Luminous Flux(lm)	Power(w)	CCT(k)	Voltage
AVX6168.01	LED	1742	17	3000	100V~240V
AVX6168.02	LED	2016	17	6000	100V~240V
AVX6168.08	LED	1872	17	4000	100V~240V



LED Cylinder Light Sight

AVX6005.XX/AVX6001.XX/W, AVX6009.XX 8W

Sight is always popular and welcome to designers for its valued and widely application in architecture, corridor and pillar lighting. At night, you will know the mystery when it's operating, comfortable and warm. It's do a kind of common but applicable product. The optimization of lighting and artistic design, makes it stable and incomparable. Durable die casting aluminum housing, completed with quality LED, makes it environmental and reliable. Digital control system is compatible if you want to create different effects.



Down Lighting

Up Lighting

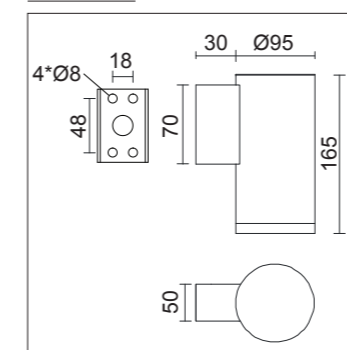
LED Cylinder Light

Technical Data : Extruded aluminum housing
 Die casting aluminum front cover ring and base
 Optional lighting beam angle : 5° , 15° , 25° , 45° , 60°
 Imported silicon rubber ring
 High intensity tempered glass
 Constant current drive
 Stainless steel screws and aluminum plate
 Triac Dimming and 0-10V dimming are available

LED : High Power LED 1w x3 350mA
 XX: 01=3000K, 08=4000K , 02=6000K, 03=R.G.B
 04=Red, 05=Green, 06=Blue, 07=Amber

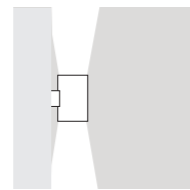
Protection Rating : IP65

Dimension



Model No.	Lamp	Luminous Flux(lm)	Power(w)	CCT(k)	Beam angle	Voltage
AVX6005.01	LED	375	4	3000	25°	100V~240V
AVX6005.02	LED	426	4	6000	25°	100V~240V
AVX6005.03	LED	240	4	R.G.B	25°	24V.DC





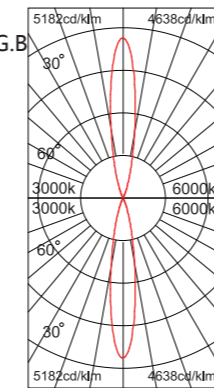
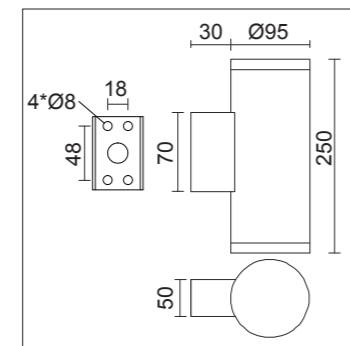
LED Cylinder Light

Technical Data : Extruded aluminum housing
Die casting aluminum front cover ring and base
Optional lighting beam angle : 5° , 15° , 25° , 45° , 60°
Imported silicon rubber ring
High intensity tempered glass
Constant current drive
Stainless steel screws and aluminum plate
Triac Dimming and 0-10V dimming are available

LED : High Power LED 1w x3 x2 350mA
XX: 01=3000K, 08=4000K, 02=6000K, 03=R.G.B
04=Red, 05=Green, 06=Blue, 07=Amber

Protection Rating : IP65

Dimension

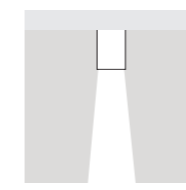


1w*3 LENS 30°

Ø(m)	h(m)	E(k) 6000k	E(k) 3000k
1.86	6	22	17
1.24	4	48	39
0.93	3	86	69
0.62	2	192	154
0.31	1	769	600



Model No.	Lamp	Luminous Flux(lm)	Power(w)	CCT(k)	Beam angle	Voltage
AVX6009.01	LED	750	8	3000	25°	100V~240V
AVX6009.02	LED	852	8	6000	25°	100V~240V
AVX6009.03	LED	480	8	R.G.B	25°	24V.DC



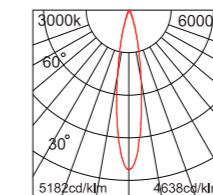
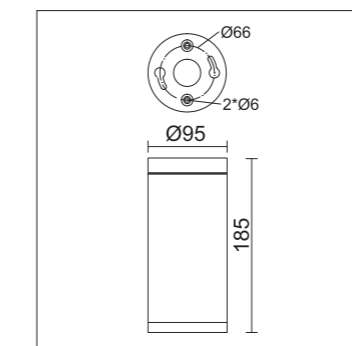
LED Cylinder Light

Technical Data : Extruded aluminum housing
Die casting aluminum front cover ring and base
Optional lighting beam angle : 5° , 15° , 25° , 45° , 60°
Imported silicon rubber ring
High intensity tempered glass
Constant current drive
Stainless steel screws and aluminum plate
Triac Dimming and 0-10V dimming are available

LED : High Power LED 1w x3 350mA
XX: 01=3000K, 08=4000K, 02=6000K, 03=R.G.B
04=Red, 05=Green, 06=Blue, 07=Amber

Protection Rating : IP65

Dimension



1w*3 LENS 30°

Ø(m)	h(m)	E(k) 6000k	E(k) 3000k
1.86	6	22	17
1.24	4	48	39
0.93	3	86	69
0.62	2	192	154
0.31	1	769	600



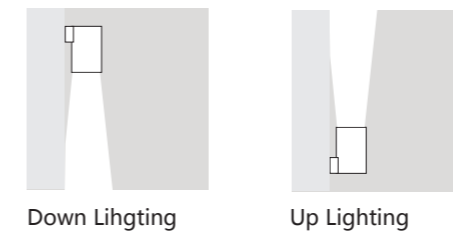
Model No.	Lamp	Luminous Flux(lm)	Power(w)	CCT(k)	Beam angle	Voltage
AVX6001.01	LED	375	4	3000	25°	100V~240V
AVX6001.02	LED	426	4	6000	25°	100V~240V
AVX6001.03	LED	240	4	R.G.B	25°	24V.DC



LED Cylinder Light Sight

AVX6015.XX/AVX6013.XX 11W, AVX6030.XX/AVX6032.XX 15W, AVX6018.XX 24W, AVX6031.XX 30W

Sight is always popular and welcome to designers for it's valued and widely application in architecture, corridor and pillar lighting. At night, you will know the mystery when it's operating, comfortable and warm. It's do a kind of common but applicable product. The optimization of lighting and artistic design, makes it stable and incomparable. Durable die casting aluminum housing, completed with quality LED, makes it environmental and reliable. Digital control system is compatible if you want to create different effects.

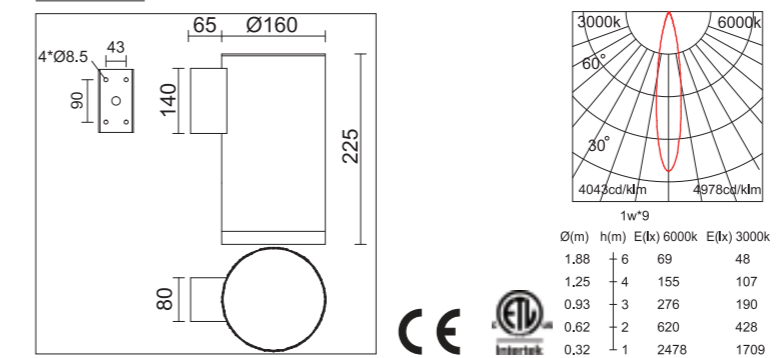


LED Cylinder Light

Technical Data : Extruded aluminum housing
 Optional lighting beam angle : AVX6015.XX:5°, 15°, 25°, 45°, 60°
 AVX6030.XX: 5°,15°,25°, 45°, 60°
 Imported silicon rubber ring, High intensity tempered glass
 Constant current drive
 Stainless steel screws and aluminum plate
 Triac Dimming and 0-10V dimming are available
 LED: High Power LED AVX6015: 1w x9 350mA
 AVX6030:1w x12 350mA
 XX: 01=3000K, 08=4000K, 02=6000K, 03=R.G.B
 04=Red, 05=Green, 06=Blue, 07=Amber

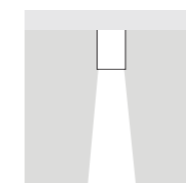
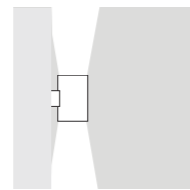
Protection Rating : IP65

Dimension



Model No.	Lamp	Luminous Flux(lm)	Power(w)	CCT(k)	Beam angle	Voltage
AVX6015.01	LED	1125	11	3000	15°	100V~240V
AVX6015.02	LED	1278	11	6000	15°	100V~240V
AVX6015.03	LED	780	11	R.G.B	15°	100V~240V
AVX6030.01	LED	1500	15	3000	25°	100V~240V
AVX6030.02	LED	1704	15	6000	25°	100V~240V
AVX6030.03	LED	950	15	R.G.B	25°	100V~240V



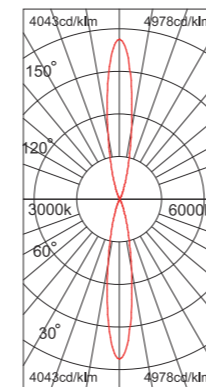
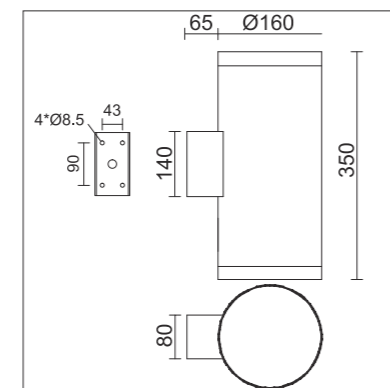


LED Cylinder Light

Technical Data : Extruded aluminum housing
 Optional lighting beam angle : AVX6018.XX: 5°, 15°, 25°, 45°, 60°
 AVX6031.XX: 5°, 15°, 25°, 45°, 60°
 Imported silicon rubber ring, High intensity tempered glass, Constant current drive
 Stainless steel screws and aluminum plate
 Triac Dimming and 0-10V dimming are available
 LED: High Power LED AVX6018.XX: 1w x9x2 350mA
 AVX6031.XX: 1w x12x2 350mA
 XX: 01=3000K, 08=4000K, 02=6000K, 03=R.G.B
 04=Red, 05=Green, 06=Blue, 07=Amber

Protection Rating : IP65

Dimension



Ø(m)	h(m)	E(lx) 6000k	E(lx) 3000k
1.88	+6	69	48
1.25	+4	155	107
0.93	+3	276	190
0.62	+2	620	428
0.32	+1	2478	1709



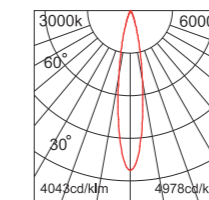
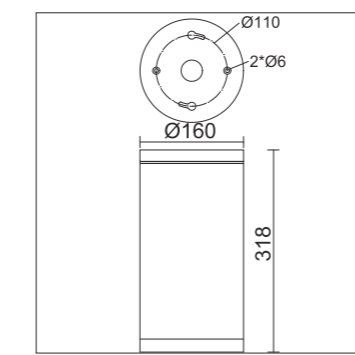
Model No.	Lamp	Luminous Flux(lm)	Power(w)	CCT(k)	Beam angle	Voltage
AVX6018.01	LED	2250	24	3000	15°	100V~240V
AVX6018.02	LED	2556	24	6000	15°	100V~240V
AVX6018.03	LED	1560	24	R.G.B	15°	100V~240V
AVX6031.01	LED	3000	30	3000	25°	100V~240V
AVX6031.02	LED	3408	30	6000	25°	100V~240V
AVX6031.03	LED	1900	30	R.G.B	25°	100V~240V

LED Cylinder Light

Technical Data : Extruded aluminum housing
 Die casting aluminum front cover ring and base
 Optional lighting beam angle : AVX6013.XX: 5°, 15°, 25°, 45°, 60°
 AVX' 6032.XX: 5°, 15°, 25°, 45°, 60°
 Imported silicon rubber ring, High intensity tempered glass
 Constant current drive, Stainless steel screws and plate
 Triac Dimming and 0-10V dimming are available
 LED: High Power LED AVX6013.XX: 1w x9350mA
 AVX6032.XX: 1w x12350mA
 XX: 01=3000K, 08=4000K, 02=6000K, 03=R.G.B
 04=Red, 05=Green, 06=Blue, 07=Amber

Protection Rating : IP65

Dimension



Ø(m)	h(m)	E(lx) 6000k	E(lx) 3000k
1.88	+6	69	48
1.25	+4	155	107
0.93	+3	276	190
0.62	+2	620	428
0.32	+1	2478	1709



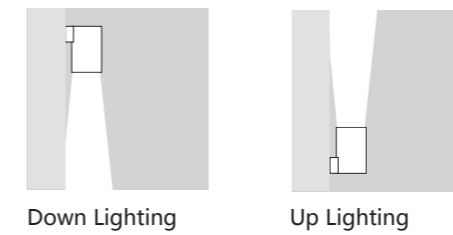
Model No.	Lamp	Luminous Flux(lm)	Power(w)	CCT(k)	Beam angle	Voltage
AVX6013.01	LED	1125	11	3000	15°	100V~240V
AVX6013.02	LED	1278	11	6000	15°	100V~240V
AVX6013.03	LED	780	11	R.G.B	15°	100V~240V
AVX6032.01	LED	1500	15	3000	25°	100V~240V
AVX6032.02	LED	1704	15	6000	25°	100V~240V
AVX6032.03	LED	950	15	R.G.B	25°	100V~240V



LED Cylinder Light Sight Series

AVX6020XX/AVX6022.XX 24W, AVX6024.XX 48W

Sight is always popular and welcome to designers for it's valued and widely application in architecture, corridor and pillar lighting. At night, you will know the mystery when it's operating, comfortable and warm. It's do a kind of common but applicable product. The optimization of lighting and artistic design, makes it stable and incomparable. Durable die casting aluminum housing, completed with quality LED, makes it environmental and reliable. Digital control system is compatible if you want to create different effects.

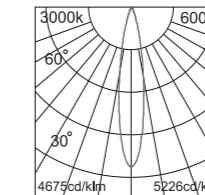
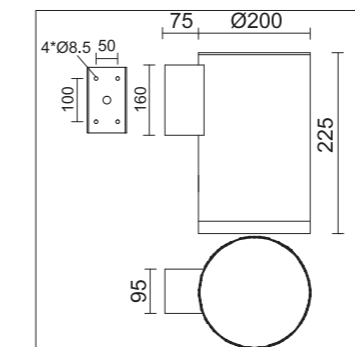


LED Cylinder Light

Technical Data : Extruded aluminum housing
 Die casting aluminum front cover ring and base
 Optional lighting beam angle : 15° , 25° , 38° , 45° , 60° , 25° *35°
 Imported silicon rubber ring
 High intensity tempered glass
 Constant current drive
 Stainless steel screws and aluminum plate
 Triac Dimming and 0-10V dimming are available
 High Power LED 1w x18 350mA
 LED : XX: 01=3000K, 08=4000K, 02=6000K, 03=R.G.B
 04=Red, 05=Green, 06=Blue, 07=Amber

Protection Rating : IP65

Dimension

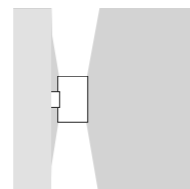


1w*18 LENS 25°

Ø(m)	h(m)	E(lx) 6000k	E(lx) 3000k
1.87	+6	126	111
1.25	+4	284	250
0.93	+3	505	443
0.62	+2	1135	999
0.31	+1	4536	3993



Model No.	Lamp	Luminous Flux(lm)	Power(w)	CCT(k)	Beam angle	Voltage
AVX6022.01	LED	2250	24	3000	25°	100V~240V
AVX6022.02	LED	2556	24	6000	25°	100V~240V
AVX6022.03	LED	1420	24	R.G.B	25°	100V~240V



LED Cylinder Light

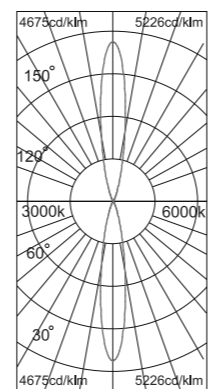
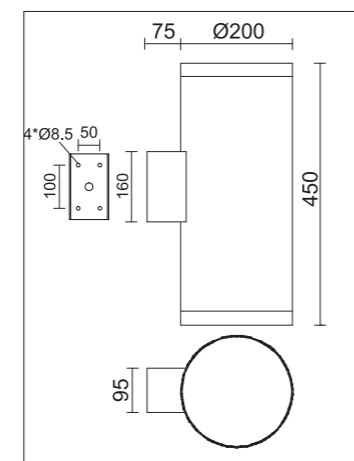
Technical Data : Extruded aluminum housing
Die casting aluminum front cover ring and base
Optional lighting beam angle : 15°, 25°, 38°, 45°, 60°, 25° *35°
Imported silicon rubber ring

High intensity tempered glass
Constant current drive
Stainless steel screws and aluminum plate
Triac Dimming and 0-10V dimming are available

LED : High Power LED 1w x18 x2 350mA
XX: 01=3000K, 08=4000K, 02=6000K, 03=R.G.B
04=Red, 05=Green, 06=Blue, 07=Amber

Protection Rating : IP65

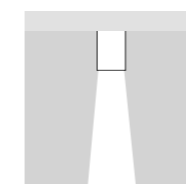
Dimension



1w*18 LENS 25°

Ø(m)	h(m)	E(k) 6000k	E(k) 3000k
1.87	6	126	111
1.25	4	284	250
0.93	3	505	443
0.62	2	1135	999
0.31	1	4536	3993

Model No.	Lamp	Luminous Flux(lm)	Power(w)	CCT(k)	Beam angle	Voltage
AVX6024.01	LED	4500	48	3000	25°	100V~240V
AVX6024.02	LED	5112	48	6000	25°	100V~240V
AVX6024.03	LED	2840	48	R.G.B	25°	100V~240V



LED Cylinder Light

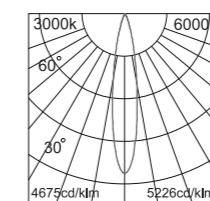
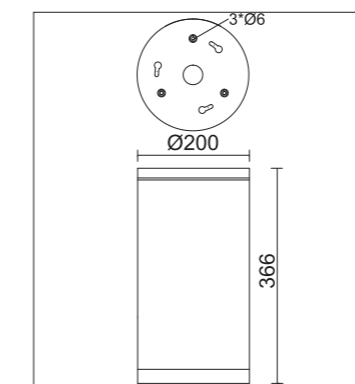
Technical Data : Extruded aluminum housing
Die casting aluminum front cover ring and base
Optional lighting beam angle : 15°, 25°, 38°, 45°, 60°, 25° *35°
Imported silicon rubber ring

High intensity tempered glass
Constant current drive
Stainless steel screws and plate
Triac Dimming and 0-10V dimming are available

LED : High Power LED 1w x18 350mA
XX: 01=3000K, 08=4000K, 02=6000K, 03=R.G.B
04=Red, 05=Green, 06=Blue, 07=Amber

Protection Rating : IP65

Dimension



1w*18 LENS 25°

Ø(m)	h(m)	E(k) 6000k	E(k) 3000k
1.87	6	126	111
1.25	4	284	250
0.93	3	505	443
0.62	2	1135	999
0.31	1	4536	3993

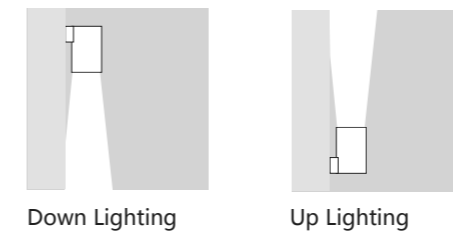
Model No.	Lamp	Luminous Flux(lm)	Power(w)	CCT(k)	Beam angle	Voltage
AVX6020.01	LED	2250	24	3000	25°	100V~240V
AVX6020.02	LED	2556	24	6000	25°	100V~240V
AVX6020.03	LED	1420	24	R.G.B	25°	100V~240V



LED Square Cylinder Light Sight

AVX6118.XX/AVX6162.XX 4W, AVX6119.XX 8W

Sight is always popular and welcome to designers for its valued and widely application in architecture, corridor and pillar lighting. At night, you will know the mystery when it's operating, comfortable and warm. It's do a kind of common but applicable product. The optimization of lighting and artistic design, makes it stable and incomparable. Durable die casting aluminum housing, completed with quality LED, makes it environmental and reliable. Digital control system is compatible if you want to create different effects.



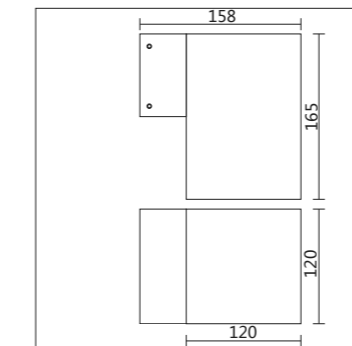
LED Square Cylinder Light

Technical Data : Extruded aluminum housing
 Die casting aluminum front cover ring and base
 Optional lighting beam angle : 5° , 15° , 25° , 45° , 60°
 Imported silicon rubber ring
 High intensity tempered glass
 Constant current drive
 Stainless steel screws and aluminum plate
 Triac Dimming and 0-10V dimming are available

LED : High Power LED 1w x3 350mA
 XX: 01=3000K, 08=4000K, 02=6000K, 03=R.G.B
 04=Red, 05=Green, 06=Blue, 07=Amber

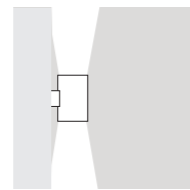
Protection Rating : IP65

Dimension



Model No.	Lamp	Luminous Flux(lm)	Power(w)	CCT(k)	Beam angle	Voltage
AVX6118.01	LED	375	4	3000	25°	100V~240V
AVX6118.02	LED	426	4	6000	25°	100V~240V
AVX6118.03	LED	240	4	R.G.B	25°	24V.DC





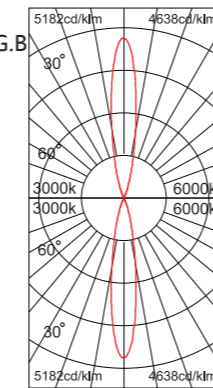
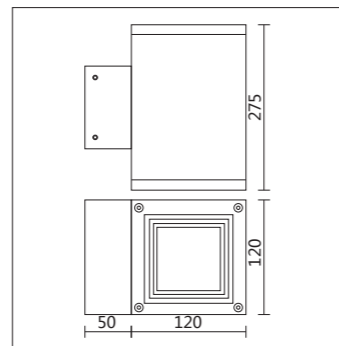
LED Square Cylinder Light

Technical Data : Extruded aluminum housing
Die casting aluminum front cover ring and base
Optional lighting beam angle : 5° , 15° , 25° , 45° , 60°
Imported silicon rubber ring
High intensity tempered glass
Constant current drive
Stainless steel screws and aluminum plate
Triac Dimming and 0-10V dimming are available

LED : High Power LED 1w x3 x2 350mA
XX: 01=3000K, 08=4000K, 02=6000K, 03=R.G.B
04=Red, 05=Green, 06=Blue, 07=Amber

Protection Rating : IP65

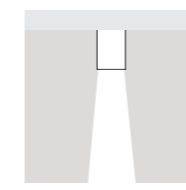
Dimension



1w*3 LENS 30°

Ø(m)	h(m)	E(k) 6000k	E(k) 3000k
1.86	+6	22	17
1.24	+4	48	39
0.93	+3	86	69
0.62	+2	192	154
0.31	+1	769	600

Model No.	Lamp	Luminous Flux(lm)	Power(w)	CCT(k)	Beam angle	Voltage
AVX6119.01	LED	750	8	3000	25°	100V~240V
AVX6119.02	LED	852	8	6000	25°	100V~240V
AVX6119.03	LED	480	8	R.G.B	25°	24V.DC



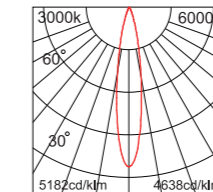
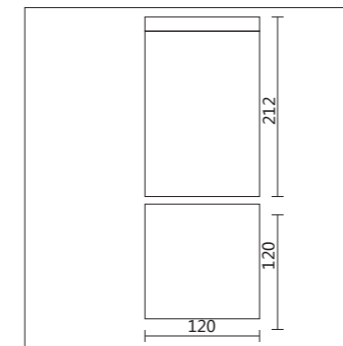
LED Square Cylinder Light

Technical Data : Extruded aluminum housing
Die casting aluminum front cover ring and base
Optional lighting beam angle : 5° , 15° , 25° , 45° , 60°
Imported silicon rubber ring
High intensity tempered glass
Constant current drive
Stainless steel screws and plate
Triac Dimming and 0-10V dimming are available

LED : High Power LED 1w x3 350mA
XX: 01=3000K, 08=4000K, 02=6000K, 03=R.G.B
04=Red, 05=Green, 06=Blue, 07=Amber

Protection Rating : IP65

Dimension



1w*3 LENS 30°

Ø(m)	h(m)	E(k) 6000k	E(k) 3000k
1.86	+6	22	17
1.24	+4	48	39
0.93	+3	86	69
0.62	+2	192	154
0.31	+1	769	600

Model No.	Lamp	Luminous Flux(lm)	Power(w)	CCT(k)	Beam angle	Voltage
AVX6162.01	LED	375	4	3000	25°	100V~240V
AVX6162.02	LED	426	4	6000	25°	100V~240V
AVX6162.03	LED	240	4	R.G.B	25°	24V.DC

LED Square Cylinder Light Sight

AVX6120.XX/AVX6163.XX 11W, AVX6129.XX/AVX6165.XX 15W, AVX6123.XX 24W, AVX6130.XX 30W

Sight is always popular and welcome to designers for it's valued and widely application in architecture, corridor and pillar lighting. At night, you will know the mystery when it's operating, comfortable and warm.

It's do a kind of common but applicable product. The optimization of lighting and artistic design, makes it stable and incomparable.

Durable die casting aluminum housing, completed with quality LED, makes it environmental and reliable. Digital control system is compatible if you want to create different effects.



Down lighting

Up lighting

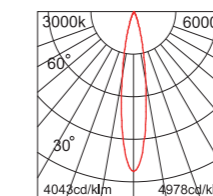
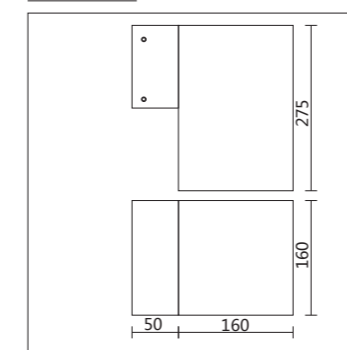
LED Square Cylinder Light

Technical Data : Extruded aluminum housing
 Optional lighting beam angle : 5° , 15° , 25° , 45° , 60°
 Imported silicon rubber ring, High intensity tempered glass
 Constant current drive
 Stainless steel screws and aluminum plate
 Triac Dimming and 0-10V dimming are available

LED: High Power LED AVX6120.XX: 1w x9 350mA
 AVX6129.XX: 1w x12 350mA
 XX: 01=3000K, 08=4000K, 02=6000K, 03=R.G.B
 04=Red, 05=Green, 06=Blue, 07=Amber

Protection Rating : IP65

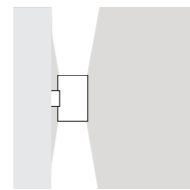
Dimension



1w*9		E(tlx) 6000k		E(tlx) 3000k	
Ø(m)	h(m)				
1.88	6	69	48		
1.25	4	155	107		
0.93	3	276	190		
0.62	2	620	428		
0.32	1	2478	1709		

Model No.	Lamp	Luminous Flux(lm)	Power(w)	CCT(k)	Beam angle	Voltage
AVX6120.01	LED	1125	11	3000	15°	100V~240V
AVX6120.02	LED	1278	11	6000	15°	100V~240V
AVX6120.03	LED	780	11	R.G.B	15°	100V~240V
AVX6129.01	LED	1500	15	3000	25°	100V~240V
AVX6129.02	LED	1704	15	6000	25°	100V~240V
AVX6129.03	LED	950	15	R.G.B	25°	100V~240V





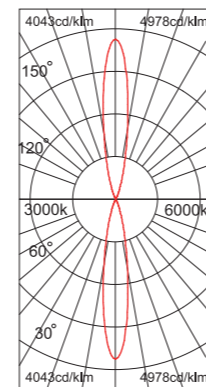
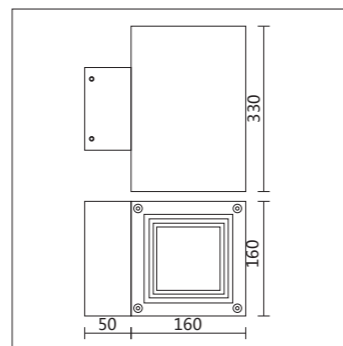
LED Square Cylinder Light

Technical Data : Extruded aluminum housing
 Optional lighting beam angle : 5° , 15° , 25° , 45° , 60°
 Imported silicon rubber ring
 High intensity tempered glass,Constant current drive
 Stainless steel screws and aluminum plate
 Triac Dimming and 0-10V dimming are available

LED:
 High Power LED AVX6123.XX: 1w x9x2 350mA
 AVX6130.XX: 1w x12x2 350mA
 XX: 01=3000K, 08=4000K, 02=6000K, 03=R.G.B
 04=Red, 05=Green, 06=Blue, 07=Amber

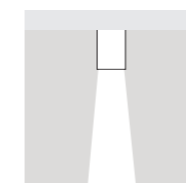
Protection Rating : IP65

Dimension



Ø(m)	h(m)	E(lx) 6000k	E(lx) 3000k
1.88	+6	69	48
1.25	+4	155	107
0.93	-3	276	190
0.62	-2	620	428
0.32	-1	2478	1709

Model No.	Lamp	Luminous Flux(lm)	Power(w)	CCT(k)	Beam angle	Voltage
AVX6123.01	LED	2250	24	3000	15°	100V~240V
AVX6123.02	LED	2556	24	6000	15°	100V~240V
AVX6123.03	LED	1560	24	R.G.B	15°	100V~240V
AVX6130.01	LED	3000	30	3000	25°	100V~240V
AVX6130.02	LED	3408	30	6000	25°	100V~240V
AVX6130.03	LED	1900	30	R.G.B	25°	100V~240V



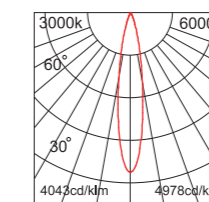
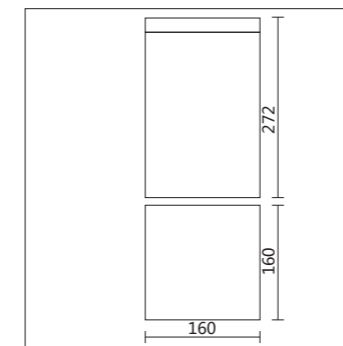
LED Square Cylinder Light

Technical Data : Extruded aluminum housing
 Die casting aluminum front cover ring and base
 Optional lighting beam angle : 5° , 15° , 25° , 45° , 60°
 Imported silicon rubber ring
 High intensity tempered glass
 Constant current drive
 Stainless steel screws and plate
 Triac Dimming and 0-10V dimming are available

LED:
 High Power LED AVX6163.XX: 1w x9 350mA, AVX6165.XX: 1w x12 350mA
 XX: 01=3000K, 08=4000K, 02=6000K, 03=R.G.B
 04=Red, 05=Green, 06=Blue, 07=Amber

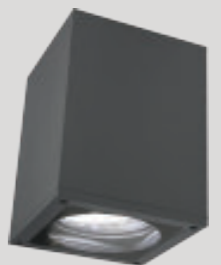
Protection Rating : IP65

Dimension



Ø(m)	h(m)	E(lx) 6000k	E(lx) 3000k
1.88	+6	69	48
1.25	+4	155	107
0.93	-3	276	190
0.62	-2	620	428
0.32	-1	2478	1709

Model No.	Lamp	Luminous Flux(lm)	Power(w)	CCT(k)	Beam angle	Voltage
AVX6163.01	LED	1125	11	3000	15°	100V~240V
AVX6163.02	LED	1278	11	6000	15°	100V~240V
AVX6163.03	LED	780	11	R.G.B	15°	100V~240V
AVX6165.01	LED	1500	15	3000	25°	100V~240V
AVX6165.02	LED	1704	15	6000	25°	100V~240V
AVX6165.03	LED	950	15	R.G.B	25°	100V~240V



LED Cylinder Light Sight

AVX6150.XX/AVX6169.XX 24W, AVX6161.XX 48W

Sight is always popular and welcome to designers for its valued and widely application in architecture, corridor and pillar lighting. At night, you will know the mystery when it's operating, comfortable and warm. It's do a kind of common but applicable product. The optimization of lighting and artistic design, makes it stable and incomparable. Durable die casting aluminum housing, completed with quality LED, makes it environmental and reliable. Digital control system is compatible if you want to create different effects.



Down lighting

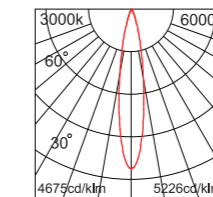
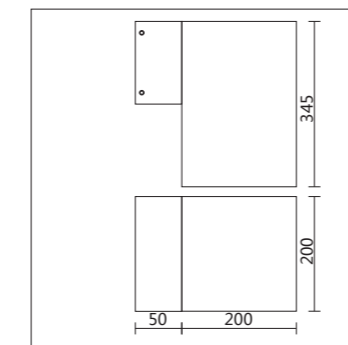
Up lighting

LED Square Cylinder Light

Technical Data : Extruded aluminum housing
 Die casting aluminum front cover ring and base
 Optional lighting beam angle : 15° , 25° , 38° , 45° , 60° , 25° *35°
 Imported silicon rubber ring
 High intensity tempered glass
 Constant current drive
 Stainless steel screws and aluminum plate
 Triac Dimming and 0-10V dimming are available
 High Power LED 1w x18 350mA
 LED : XX: 01=3000K, 08=4000K, 02=6000K, 03=R.G.B
 04=Red, 05=Green, 06=Blue, 07=Amber

Protection Rating : IP65

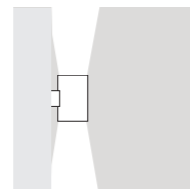
Dimension



1w*18 LENS 25°			
Ø(m)	h(m)	E(lx) 6000k	E(lx) 3000k
1.87	+6	126	111
1.25	+4	284	250
0.93	+3	505	443
0.62	+2	1135	999
0.31	+1	4536	3993



Model No.	Lamp	Luminous Flux(lm)	Power(w)	CCT(k)	Beam angle	Voltage
AVX6150.01	LED	1500	24	3000	25°	100V~240V
AVX6150.02	LED	1704	24	6000	25°	100V~240V
AVX6150.03	LED	1420	24	R.G.B	25°	100V~240V



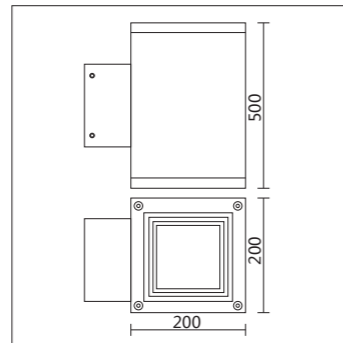
LED Square Cylinder Light

Technical Data : Extruded aluminum housing
Die casting aluminum front cover ring and base
Optional lighting beam angle : 15°, 25°, 38°, 45°, 60°, 25° *35°
Imported silicon rubber ring
High intensity tempered glass
Constant current drive
Stainless steel screws and aluminum plate
Triac Dimming and 0-10V dimming are available

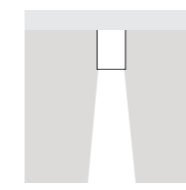
LED : High Power LED 1w x18 x2 350mA
XX: 01=3000K, 08=4000K, 02=6000K, 03=R.G.B
04=Red, 05=Green, 06=Blue, 07=Amber

Protection Rating : IP65

Dimension



Model No.	Lamp	Luminous Flux(lm)	Power(w)	CCT(k)	Beam angle	Voltage
AVX6161.01	LED	4500	48	3000	25°	100V~240V
AVX6161.02	LED	5112	48	6000	25°	100V~240V
AVX6161.03	LED	2840	48	R.G.B	25°	100V~240V



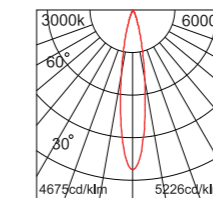
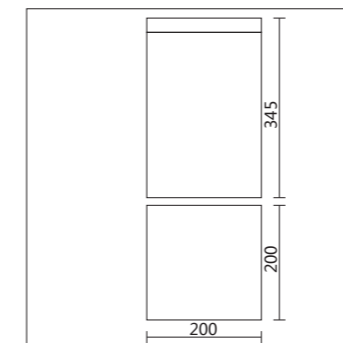
LED Square Cylinder Light

Technical Data : Extruded aluminum housing
Die casting aluminum front cover ring and base
Optional lighting beam angle : 15°, 25°, 38°, 45°, 60°, 25° *35°
Imported silicon rubber ring
High intensity tempered glass
Constant current drive
Stainless steel screws and plate
Triac Dimming and 0-10V dimming are available

LED : High Power LED 1w x18 350mA
XX: 01=3000K, 08=4000K, 02=6000K, 03=R.G.B
04=Red, 05=Green, 06=Blue, 07=Amber

Protection Rating : IP65

Dimension



1w*18 LENS 25°

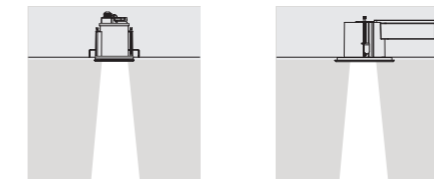
Ø(m)	h(m)	E(k) 6000k	E(k) 3000k
1.87	+6	126	111
1.25	+4	284	250
0.93	+3	505	443
0.62	+2	1135	999
0.31	+1	4536	3993

Model No.	Lamp	Luminous Flux(lm)	Power(w)	CCT(k)	Beam angle	Voltage
AVX6169.01	LED	1620	24	3000	25°	100V~240V
AVX6169.02	LED	1980	24	6000	25°	100V~240V
AVX6169.03	LED	1420	24	R.G.B	25°	100V~240V

LED Ceiling Recessed Light Apollo

AVX6139.XX 6W, AVX6140.XX 11W, AVX6141.XX 20W, AVX6149.XX 36W

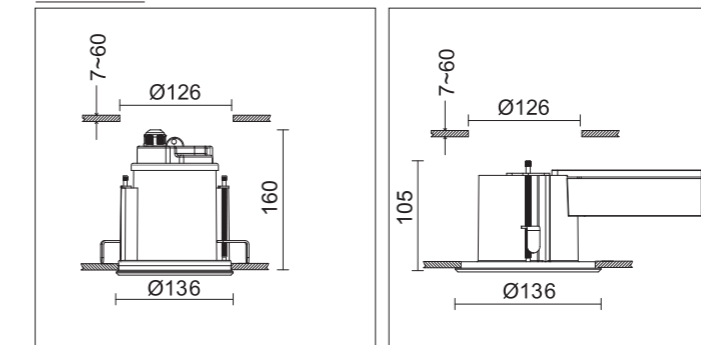
Apollo serves as waterproof ceiling recessed Floodlight, widely applied in canopy, outdoor courtyard and indoor swimming room. IP67. Uniform lighting distribution and optimized heat dissipation ensure Apollo long lifetime and duration. Anti ultraviolet radiation powder painting reduce times and cost of maintenance greatly on high installation basis. High efficiency, low energy consumption and long lifetime. COB LED is the best guarantee and makes Apollo deserve it's name.



LED Ceiling recessed light

Technical Data : Stainless steel front cover ring
 Precise Lighting distribution and Optional lighting beam angles
 Available Lighting beam angles : 25° , 45° , 60°
 Imported silicon rubber ring
 High intensity tempered glass
 In built drive, easily mounting
 Triac Dimming and 0-10V dimming are available
 LED: AVX6139.XX/AVX6173.XX: COB LED 8W
 AVX6140.XX/AVX6174.XX: COB LED 11W
 XX: 01=3000K, 08=4000K, 02=5000K
 Protection Rating : IP67

Dimension



Model No.	Lamp	Luminous Flux(lm)	Power(w)	CCT(k)	Beam angle	Voltage
AVX6139.01	LED	656	6	3000	25°	100V~240V
AVX6139.02	LED	687	6	5000	25°	100V~240V
AVX6140.01	LED	1364	11	3000	25°	100V~240V
AVX6140.02	LED	1426	11	5000	25°	100V~240V
AVX6173.01	LED	656	6	3000	25°	100V~240V
AVX6173.02	LED	687	6	5000	25°	100V~240V
AVX6174.01	LED	1364	11	3000	25°	100V~240V
AVX6174.02	LED	1426	11	5000	25°	100V~240V



AVX6139.XX AVX6140.XX



AVX6173.XX AVX6174.XX

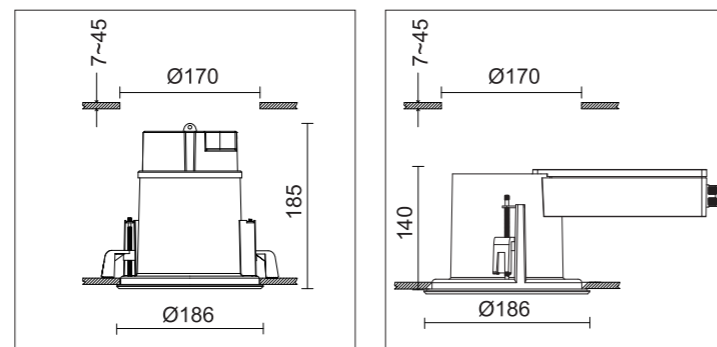


LED Ceiling recessed light

Technical Data : Stainless steel front cover ring
 Precise Lighting distribution and Optional lighting beam angles
 Available Lighting beam angles : 25° , 45° , 60°
 Imported silicon rubber ring
 High intensity tempered glass
 In built drive, easily mounting
 Triac Dimming and 0-10V dimming are available
 LED : COB LED 20W
 XX: 01=3000K, 08=4000K, 02=5000K

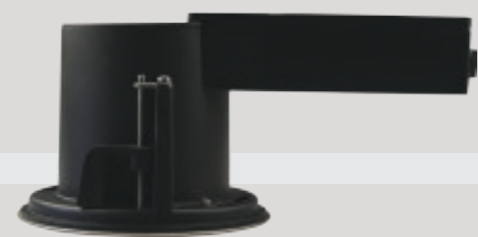
Protection Rating : IP67

Dimension

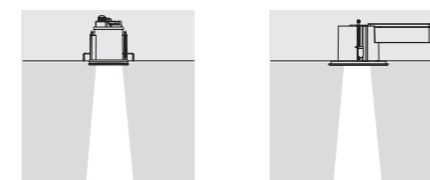


Model No.	Lamp	Luminous Flux(lm)	Power(w)	CCT(k)	Beam angle	Voltage
AVX6141.01	LED	2619	20	3000	25°	100V~240V
AVX6141.02	LED	2737	20	5000	25°	100V~240V
AVX6178.01	LED	2619	20	2000	25°	100V~240V
AVX6178.02	LED	2737	20	5000	25°	100V~240V

AVX6141.XX



AVX6178.XX

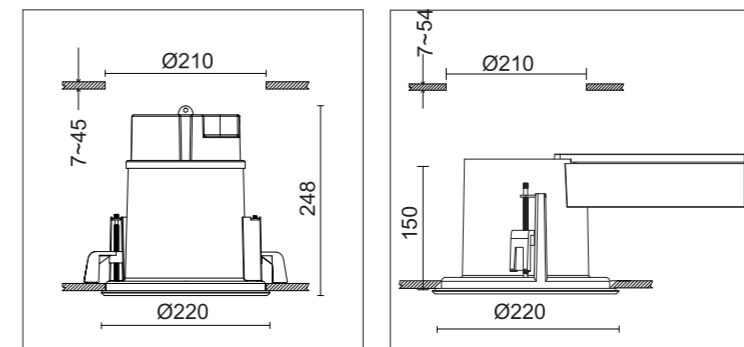


LED Ceiling recessed light

Technical Data : Stainless steel front cover ring
 Precise Lighting distribution and Optional lighting beam angles
 Available Lighting beam angles : 30° , 45° , 60°
 Imported silicon rubber ring
 High intensity tempered glass
 In built drive, easily mounting
 Triac Dimming and 0-10V dimming are available
 LED : COB LED 36W
 XX: 01=3000K, 08=4000K, 02=5000K

Protection Rating : IP67

Dimension



Model No.	Lamp	Luminous Flux(lm)	Power(w)	CCT(k)	Beam angle	Voltage
AVX6149.01	LED	4815	36	3000	30°	100V~240V
AVX6149.02	LED	5034	36	5000	30°	100V~240V
AVX6179.01	LED	4815	36	3000	30°	100V~240V
AVX6179.02	LED	5034	36	5000	30°	100V~240V

AVX6149.XX

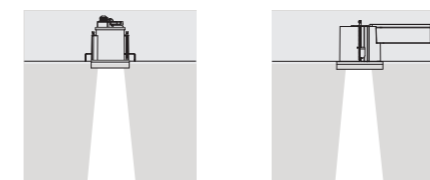


AVX6179.XX

LED Ceiling Recessed Light Apollo

AVX6159.XX/AVX6182.XX 6W, AVX6160.XX/AVX6183.X 11W, AVX6148.XX/AVX6184.XX 20W, AVX6146.XX/AVX6185.XX 36W

Apollo serves as waterproof ceiling recessed Floodlight, widely applied in canopy, outdoor courtyard and indoor swimming room. IP67. Uniform lighting distribution and optimized heat dissipation ensure Apollo long lifetime and duration. Anti ultraviolet radiation powder painting reduce times and cost of maintenance greatly on high installation basis. High efficiency, low energy consumption and long lifetime. COB LED is the best guarantee and makes Apollo deserve it's name.



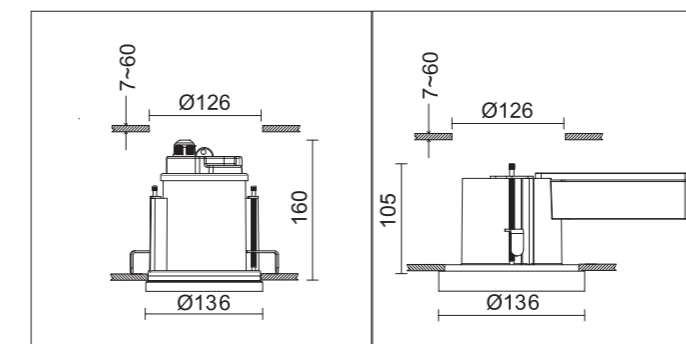
LED Ceiling recessed light

Technical Data : Stainless steel front cover ring
 Precise Lighting distribution and Optional lighting beam angles
 Available Lighting beam angles : 25° , 45° , 60°
 Imported silicon rubber ring
 High intensity tempered glass
 In built drive, easily mounting
 Triac Dimming and 0-10V dimming are available

LED: AVX6159.XX/AVX6182.XX: COB LED 8W
 AVX6160.XX/AVX6183.XX: COB LED 11W
 XX: 01=3000K, 08=4000K, 02=5000K

Protection Rating : IP67

Dimension



Model No.	Lamp	Luminous Flux(lm)	Power(w)	CCT(k)	Beam angle	Voltage
AVX6159.01	LED	656	6	3000	25°	100V~240V
AVX6159.02	LED	687	6	5000	25°	100V~240V
AVX6160.01	LED	1364	11	3000	25°	100V~240V
AVX6160.02	LED	1426	11	5000	25°	100V~240V
AVX6182.01	LED	656	6	3000	25°	100V~240V
AVX6182.02	LED	687	6	5000	25°	100V~240V
AVX6183.01	LED	1364	11	3000	25°	100V~240V
AVX6183.02	LED	1426	11	5000	25°	100V~240V



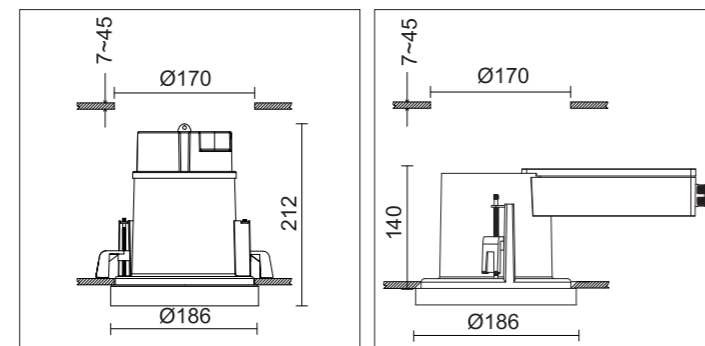


LED Ceiling recessed light

Technical Data : Stainless steel front cover ring
 Precise Lighting distribution and Optional lighting beam angles
 Available Lighting beam angles : 25° , 45° , 60°
 Imported silicon rubber ring
 High intensity tempered glass
 In built drive, easily mounting
 Triac Dimming and 0-10V dimming are available
 LED:
 AVX6148.XX/AVX6184.XX: COB LED 20W
 XX: 01=3000K, 08=4000K, 02=5000K

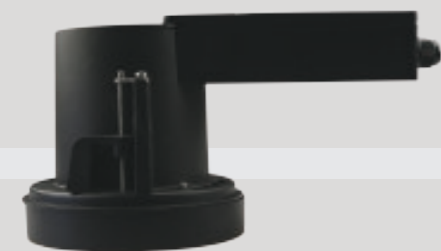
Protection Rating : IP67

Dimension

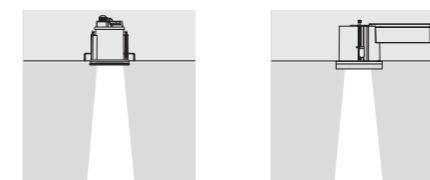


Model No.	Lamp	Luminous Flux(lm)	Power(w)	CCT(k)	Beam angle	Voltage
AVX6148.01	LED	2619	20	3000	25°	100V~240V
AVX6148.02	LED	2737	20	5000	25°	100V~240V
AVX6184.01	LED	2619	20	3000	25°	100V~240V
AVX6184.02	LED	2737	20	5000	25°	100V~240V

AVX6148.XX



AVX6184.XX

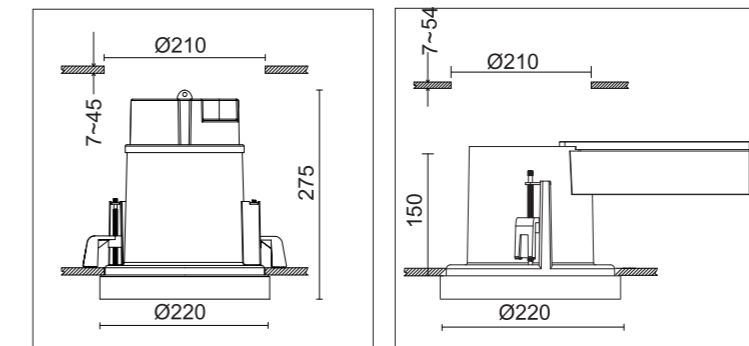


LED Ceiling recessed light

Technical Data : Stainless steel front cover ring
 Precise Lighting distribution and Optional lighting beam angles
 Available Lighting beam angles : 30° , 45° , 60°
 Imported silicon rubber ring
 High intensity tempered glass
 In built drive, easily mounting
 Triac Dimming and 0-10V dimming are available
 LED:
 AVX6146.XX/AVX6185.XX: COB LED 36W
 XX: 01=3000K, 08=4000K, 02=5000K

Protection Rating : IP67

Dimension



Model No.	Lamp	Luminous Flux(lm)	Power(w)	CCT(k)	Beam angle	Voltage
AVX6146.01	LED	4815	36	3000	30°	100V~240V
AVX6146.02	LED	5034	36	5000	30°	100V~240V
AVX6185.01	LED	4815	36	3000	30°	100V~240V
AVX6185.02	LED	5034	36	5000	30°	100V~240V

AVX6185.XX





LED In-ground Light

LED In-ground light Root C

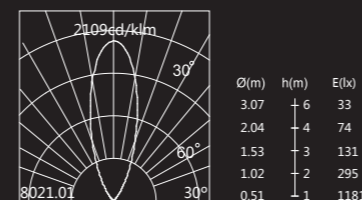
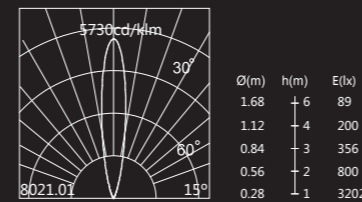
AVX8021.XX 7W, AVX8022.XX 11W

Root C has different size and versions, IP67. This is a small power COB version, double front cover ring, same size with different watts for different applications.

Root C comes with COB LED and new-designed aluminum reflector with high reflection and precision. In built optimized structure of heat dissipation makes LED work in a stable and desired temperature range and represent high lighting output and long lifetime.

Designation of horizontal 360° rotation, vertical ±15° tilt allows Root C widely application in different places and projects. Different lighting beam angles allow Root C used differently on strict requests of lighting basis.

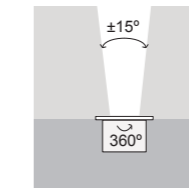
Root C is applied widely in lighting of building surface, sculptures, corridors, trees and greenbelts.



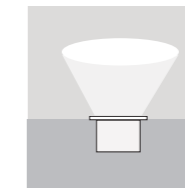
Bad outdoor environment



Touchable surface



±15° tilt
360° rotation



20°x55° Lighting distribution

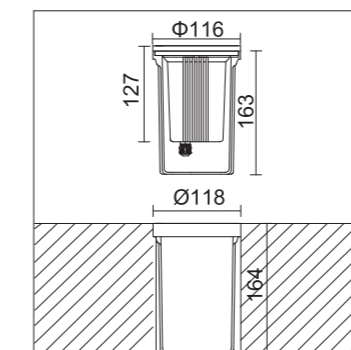
COB LED In-ground Light

Technical Data : Die casting aluminum housing and Stainless steel front cover ring
Aluminum reflector with high reflection
Optional lighting beam angles : 15° , 30° , 45° , 20°x55°
Imported silicon rubber ring
High intensity tempered glass
Constant current drive
Stainless steel screws

LED: COB LED
XX: 01=3000K, 08=4000K, 02=5000K

Protection Rating : IP67

Dimension



Model No.	Lamp	Luminous Flux(lm)	Power(w)	CCT(k)	Beam angle	Voltage		
AVX8021.01	COB LED	656	6	3000	30°	100V~240V	238	239
AVX8021.08	COB LED	675	6	4000	30°	100V~240V	238	239
AVX8021.02	COB LED	687	6	5000	30°	100V~240V	238	239
AVX8022.01	COB LED	1364	11	3000	30°	100V~240V	238	239
AVX8022.08	COB LED	1408	11	4000	30°	100V~240V	238	239
AVX8022.02	COB LED	1426	11	5000	30°	100V~240V	238	239

Concentric louver Honey comb louver



LED In-ground light Root C

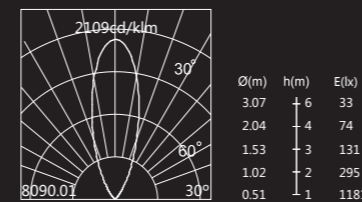
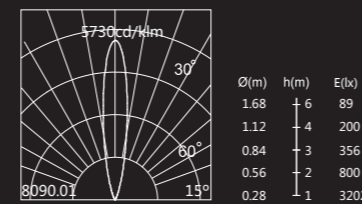
AVX8090.XX 6W , AVX8121.XX 11W

Root C has different size and versions, IP67. This is a small power COB version, double front cover ring, same size with different watts for different applications.

Root C comes with COB LED and new-designed aluminum reflector with high reflection and precision. In built optimized structure of heat dissipation makes LED work in a stable and desired temperature range and represent high lighting output and long lifetime.

Designation of horizontal 360° rotation , vertical ±15° tilt allows Root C widely application in different places and projects. Different lighting beam angles allow Root C used differently on strict requests of lighting basis.

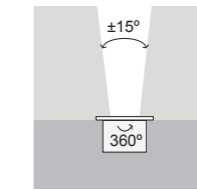
Root C is applied widely in lighting of building surface, sculptures, corridors, trees and greenbelts.



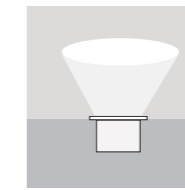
Bad outdoor environment



Touchable surface



±15° tilt
360° rotation



20°x55° Lighting distribution

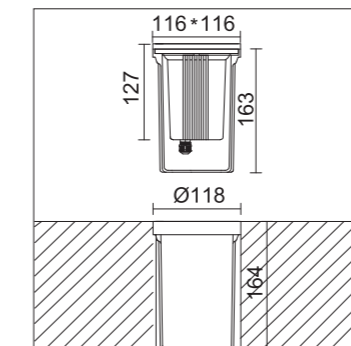
COB LED In-ground Light

Technical Data : Die casting aluminum housing and Stainless steel front cover ring
 Aluminum reflector with high reflection
 Optional lighting beam angles : 15° , 30° , 45° , 20°x55°
 Imported silicon rubber ring
 High intensity tempered glass
 Constant current drive
 Stainless steel screws

LED : COB LED
 XX: 01=3000K, 08=4000K, 02=5000K

Protection Rating : IP67

Dimension



Model No.	Lamp	Luminous Flux(lm)	Power(w)	CCT(k)	Beam angle	Voltage		
AVX8090.01	COB LED	656	6	3000	30°	100V~240V	238	239
AVX8090.08	COB LED	675	6	4000	30°	100V~240V	238	239
AVX8090.02	COB LED	687	6	5000	30°	100V~240V	238	239
AVX8121.01	COB LED	1364	11	3000	30°	100V~240V	238	239
AVX8121.08	COB LED	1408	11	4000	30°	100V~240V	238	239
AVX8121.02	COB LED	1426	11	5000	30°	100V~240V	238	239

Concentric louver Honey comb louver



LED In-ground light Root C

AVX8007.XX 6W, AVX8008.XX 11W

Root C has different size and versions, IP67. This is a small power COB version, double front cover ring, same size with different watts for different applications.

Root C comes with COB LED and new-designed aluminum reflector with high reflection and precision. In built optimized structure of heat dissipation makes LED work in a stable and desired temperature range and represent high lighting output and long lifetime.

Designation of horizontal 360° rotation, vertical ±15° tilt allows Root C widely application in different places and projects. Different lighting beam angles allow Root C used differently on strict requests of lighting basis.

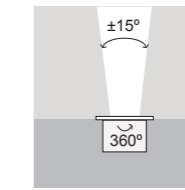
Root C is applied widely in lighting of building surface, sculptures, corridors, trees and greenbelts.



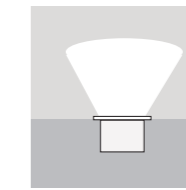
Bad outdoor environment



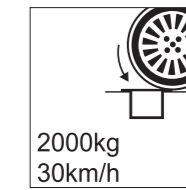
Touchable surface



±15° tilt
360° rotation



20°x55° Lighting distribution



2000kg
30km/h

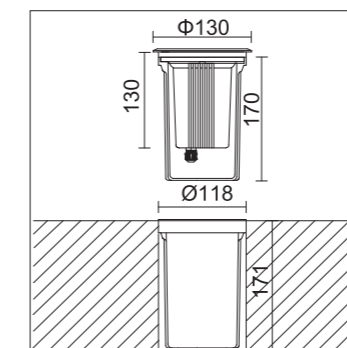
COB LED In-ground Light

Technical Data : Die casting aluminum housing and Stainless steel front cover ring
Aluminum reflector with high reflection
Optional lighting beam angles : 15°, 30°, 45°, 20°x55°
Imported silicon rubber ring
High intensity tempered glass
Constant current drive
Stainless steel screws

LED : COB LED
XX: 01=3000K, 08=4000K, 02=5000K

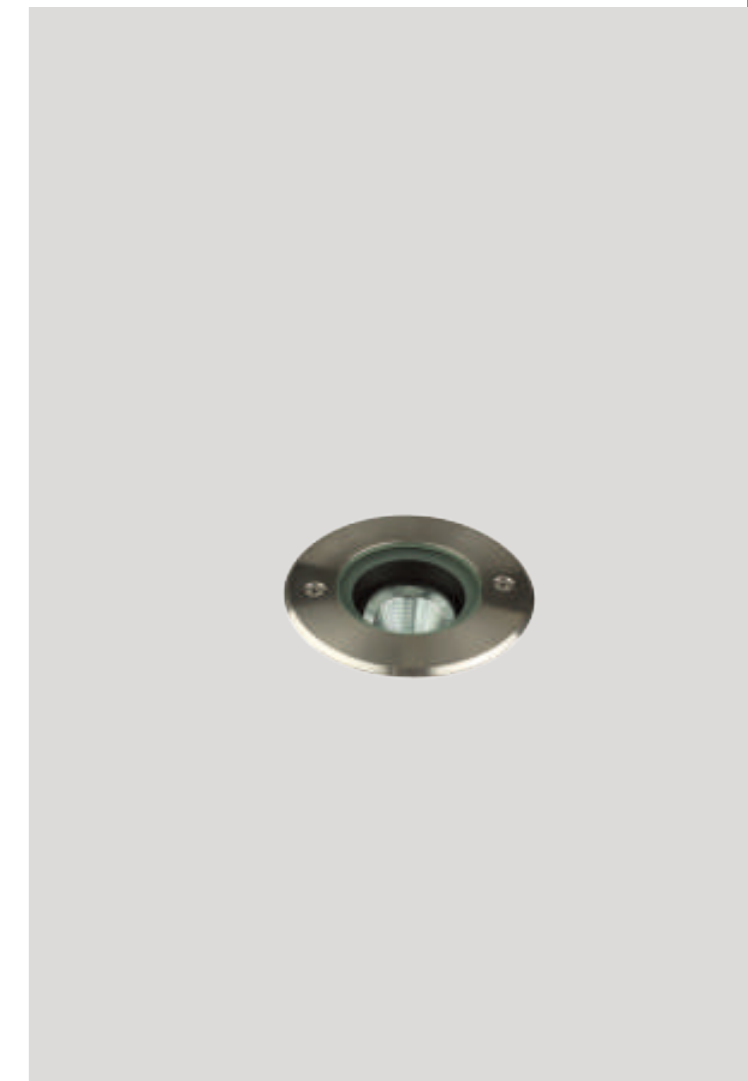
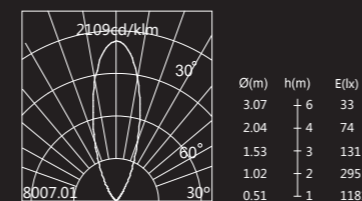
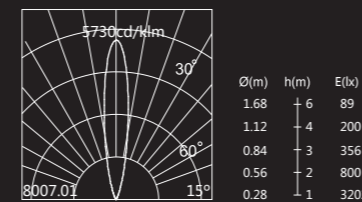
Protection Rating : IP67

Dimension



Model No.	Lamp	Luminous Flux(lm)	Power(w)	CCT(k)	Beam angle	Voltage		
AVX8007.01	COB LED	656	6	3000	30°	100V~240V	238	239
AVX8007.08	COB LED	675	6	4000	30°	100V~240V	238	239
AVX8007.02	COB LED	687	6	5000	30°	100V~240V	238	239
AVX8008.01	COB LED	1364	11	3000	30°	100V~240V	238	239
AVX8008.08	COB LED	1408	11	4000	30°	100V~240V	238	239
AVX8008.02	COB LED	1426	11	5000	30°	100V~240V	238	239

Concentric louver Honey comb louver



LED In-ground light Root C

AVX8009.XX 15W

Root C has different size and versions, IP67. This is a middle power COB version, double front cover ring, same size with different watts for different applications.

Root C comes with COB LED and new-designed aluminum reflector with high reflection and precision. In built optimized structure of heat dissipation makes LED work in a stable and desired temperature range and represent high lighting output and long lifetime.

Designation of horizontal 360° rotation , vertical ±15° tilt allows Root C widely application in different places and projects. Different lighting beam angles allow Root C used differently on strict requests of lighting basis.

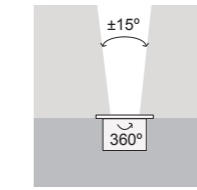
Root C is applied widely in lighting of building surface, sculptures, corridors, trees and greenbelts.



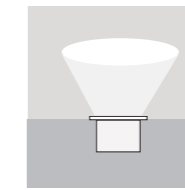
Bad outdoor environment



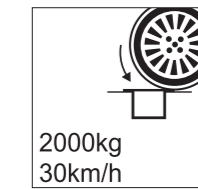
Touchable surface



±15° tilt
360° rotation



20°x55° Lighting distribution



2000kg
30km/h

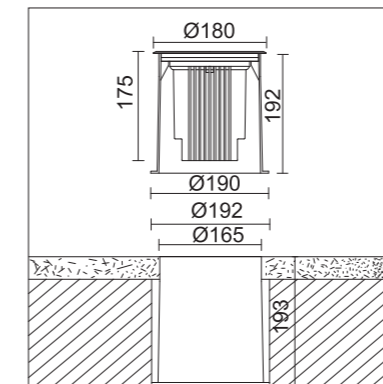
COB LED In-ground Light

Technical Data : Die casting aluminum housing and Stainless steel front cover ring
Aluminum reflector with high reflection
Optional lighting beam angles : 15° , 30° , 45° , 20°x55°
Imported silicon rubber ring
High intensity tempered glass
Constant current drive
Stainless steel screws

LED : COB LED
XX: 01=3000K, 08=4000K, 02=5000K

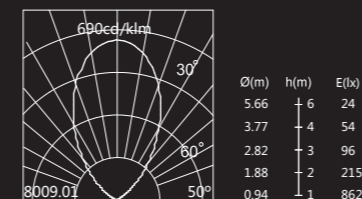
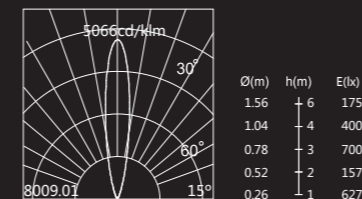
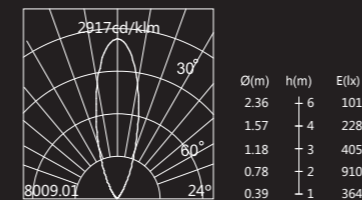
Protection Rating : IP67

Dimension



Model No.	Lamp	Luminous Flux(lm)	Power(w)	CCT(k)	Beam angle	Voltage		
AVX8009.01	COB LED	1462	15	3000	24°	100V~240V	242	243
AVX8009.08	COB LED	1572	15	4000	24°	100V~240V	242	243
AVX8009.02	COB LED	1807	15	5000	24°	100V~240V	242	243

Concentric louver Honey comb louver



LED In-ground light Root C

AVX8138.XX 15W

Root C has different size and versions, IP67. This is a medium power and asymmetrical COB version, same size with different watts for different applications.

Root C comes with COB LED and new-designed aluminum reflector with high reflection and precision. In built optimized structure of heat dissipation makes LED work in a stable and desired temperature range and represent high lighting output and long lifetime.

Designation of horizontal 360° rotation , vertical ±15° tilt allows Root C widely application in different places and projects. Different lighting beam angles allow Root C used differently on strict requests of lighting basis.

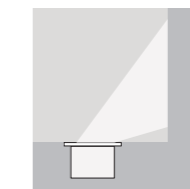
Root C is applied widely in lighting of building surface, sculptures, corridors, trees and greenbelts.



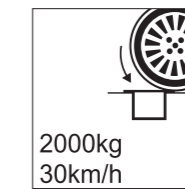
Bad outdoor environment



Touchable surface



Asymmetrical aluminum reflector



2000kg
30km/h

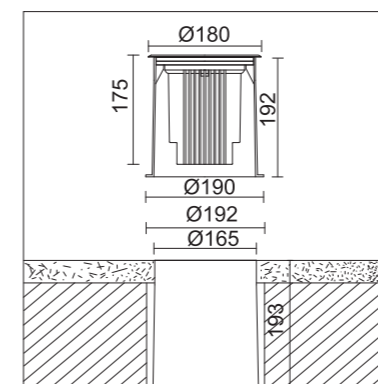
COB LED In-ground Light

Technical Data : Die casting aluminum housing and Stainless steel front cover ring
Asymmetrical aluminum reflector with high reflection
Imported silicon rubber ring
High intensity tempered glass
Constant current drive
Stainless steel screws
Triac Dimming and 0-10V dimming are available

LED : COB LED
XX: 01=3000K, 08=4000K, 02=5000K

Protection Rating : IP67

Dimension



Model No.	Lamp	Luminous Flux(lm)	Power(w)	CCT(k)	Beam angle	Voltage
AVX8138.01	COB LED	1462	15	3000	44°*68°	100V~240V
AVX8138.08	COB LED	1572	15	4000	44°*68°	100V~240V
AVX8138.02	COB LED	1807	15	5000	44°*68°	100V~240V



LED In-ground light Root C

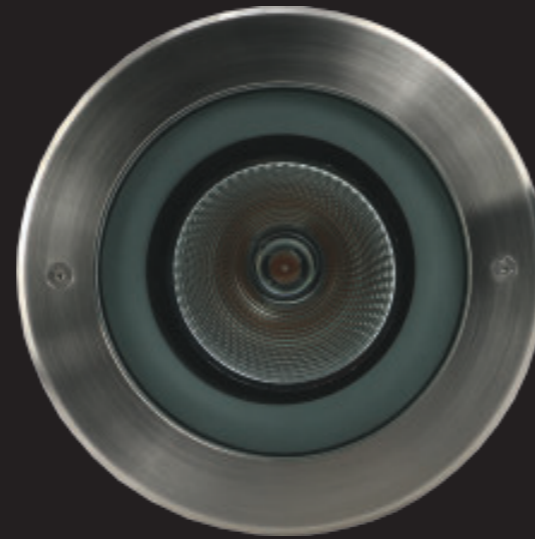
AVX8019.XX 22W

Root C has different size and versions, IP67. This is a high power COB version, same size with different watts for different applications.

Root C comes with COB LED and new-designed aluminum reflector with high reflection and precision. In built optimized structure of heat dissipation makes LED work in a stable and desired temperature range and represent high lighting output and long lifetime.

Designation of horizontal 360° rotation, vertical ±15° tilt allows Root C widely application in different places and projects. Different lighting beam angles allow Root C used differently on strict requests of lighting basis.

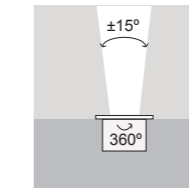
Root C is applied widely in lighting of building surface, sculptures, corridors, trees and greenbelts.



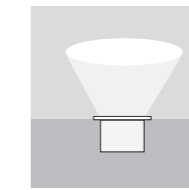
Bad outdoor environment



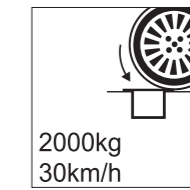
Touchable surface



±15° tilt
360° rotation



20°×55° Lighting distribution



2000kg
30km/h

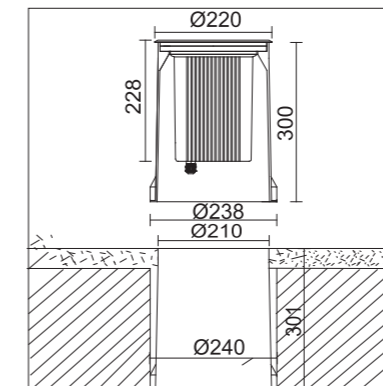
COB LED In-ground Light



Technical Data : Die casting aluminum housing and Stainless steel front cover ring
Aluminum reflector with high reflection
Optional lighting beam angles : 15°, 25°, 36°, 50°
Imported silicon rubber ring
High intensity tempered glass
Constant current drive
Stainless steel screws
Triac Dimming and 0-10V dimming are available

LED : COB LED
XX: 01=3000K, 08=4000K, 02=5000K

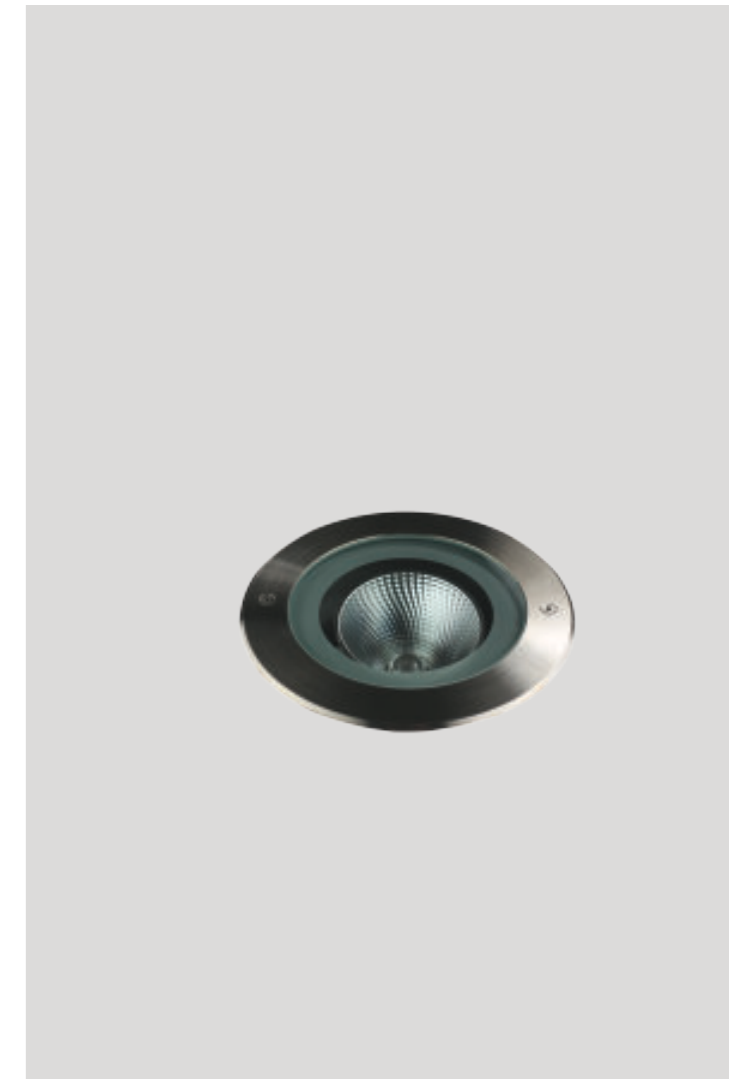
Protection Rating : IP67

Dimension



Model No.	Lamp	Luminous Flux(lm)	Power(w)	CCT(k)	Beam angle	Voltage		
AVX8019.01	COB LED	2799	22	3000	25°	100V~240V	244	245
AVX8019.08	COB LED	2926	22	4000	25°	100V~240V	244	245
AVX8019.02	COB LED	2885	22	5000	25°	100V~240V	244	245

 Concentric louver  Honey comb louver



LED In-ground light Root C

AVX8126.XX 44W

Root C has different size and versions, IP67. This is a high power COB version, same size with different watts for different applications.

Root C comes with COB LED and new-designed aluminum reflector with high reflection and precision. In built optimized structure of heat dissipation makes LED work in a stable and desired temperature range and represent high lighting output and long lifetime.

Designation of horizontal 360° rotation , vertical ±15° tilt allows Root C widely application in different places and projects. Different lighting beam angles allow Root C used differently on strict requests of lighting basis.

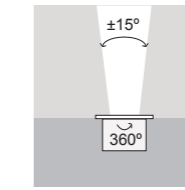
Root C is applied widely in lighting of building surface, sculptures, corridors, trees and greenbelts.



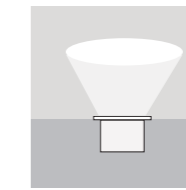
Bad outdoor environment



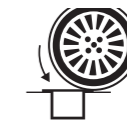
Touchable surface



±15° tilt
360° rotation



20° x 55° Lighting distribution



2000kg
30km/h

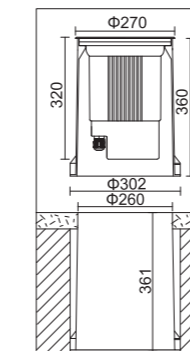
COB LED In-ground Light



Technical Data : Die casting aluminum housing and Stainless steel front cover ring
 Aluminum reflector with high reflection
 Optional lighting beam angles : 8° , 18° , 36° , 72°
 Imported silicon rubber ring
 High intensity tempered glass
 Constant current drive
 Stainless steel screws
 Triac Dimming and 0-10V dimming are available

LED : COB LED
 XX: 01=3000K, 08=4000K, 02=5000K

Protection Rating : IP67

Dimension



Model No.	Lamp	Luminous Flux(lm)	Power(w)	CCT(k)	Beam angle	Voltage		
AVX8126.01	COB LED	5521	44	3000	18°	100V~240V	254	208
AVX8126.08	COB LED	5692	44	4000	18°	100V~240V	254	208
AVX8126.02	COB LED	5772	44	5000	18°	100V~240V	254	208

 Concentric louver  Stripe grille

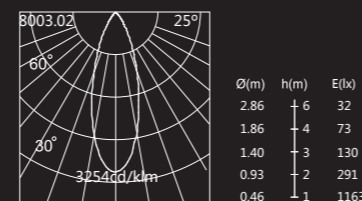
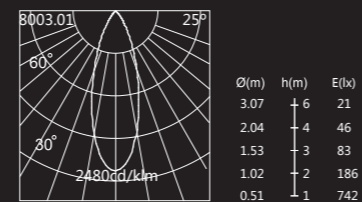
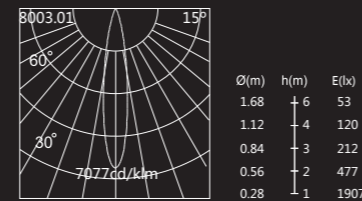
LED In-ground light Root H

AVX8003.XX 4W, AVX8188.XX 3W, AVX8013.XX 4W

Root H has different size and versions, IP67. This is a version comes with Cree 1W LED or SMD LED, same size with different LED and watts for different applications.

Die casting aluminum housing. LED chips are fixed on aluminum heat sink tightly which keeps fine heat conductivity from inside to outside. Professional designation gives reasonable housing size according to different watts. Different lighting beam angles allow Root H used differently on strict requests of lighting basis and provide various distributions to designers

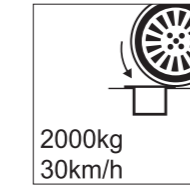
Root H is applied widely in lighting of building surface, sculptures, corridors, trees and greenbelts.



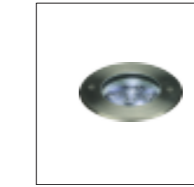
Bad outdoor environment



Touchable surface



2000kg
30km/h



Honey comb louver

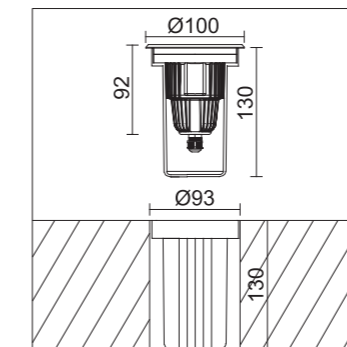
LED In-ground Light

Technical Data :
Die casting aluminum housing and Stainless steel front cover ring
Precise Optical lens and lighting distribution
Optional lighting beam angles:
AVX8003.XX:5°,15°,25°,45°,60°,15°*50°,10°*60°,15°*35°
Imported silicon rubber ring,High intensity tempered glass
Constant current drive, Stainless steel screws
Rugged, corrosion resistant PP recessed can

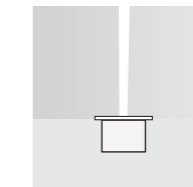
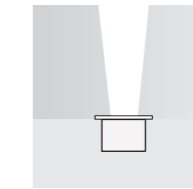
LED : 8003.XX: High Power LED 1w x3 ;AVX8188.XX High Power LED 2W x1
AVX8013.XX: SMD LED 0.25w x12
XX: 01=3000K, 02=6000K, 08=4000K, 03=RGB
04=Red, 05=Green, 06=Blue, 07=Amber

Protection Rating : IP67

Dimension



Model No.	Lamp	Luminous Flux(lm)	Power(w)	CCT(k)	Beam angle	Voltage	Beam diameter
AVX8003.01	LED	329	4	3000	25°	100V~240V	246
AVX8003.02	LED	375	4	6000	25°	100V~240V	246
AVX8188.01	LED	153	3	3000	3°	100V~240V	
AVX8188.02	LED	175	3	6000	3°	100V~240V	
AVX8013.01	LED	180	4	3000	97°	100V~240V	
AVX8013.02	LED	144	4	6000	97°	100V~240V	



● Honey comb louver

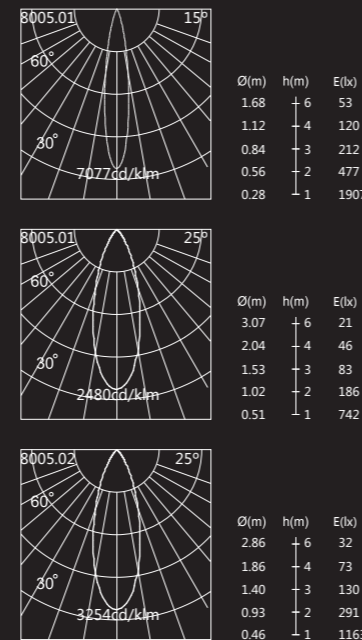
LED In-ground light Root H

AVX8005.XX 4W , AVX8017.XX 4W

Root H has different size and versions, IP67. This is a version comes with Cree 1W LED or SMD LED, same size with different LED and watts for different applications.

Die casting aluminum housing. LED chips are fixed on aluminum heat sink tightly which keeps fine heat conductivity from inside to outside. Professional designation gives reasonable housing size according to different watts. Different lighting beam angles allow Root H used differently on strict requests of lighting basis and provide various distributions to designers

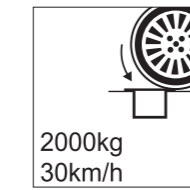
Root H is applied widely in lighting of building surface, sculptures, corridors, trees and greenbelts.



Bad outdoor environment



Touchable surface



2000kg
30km/h



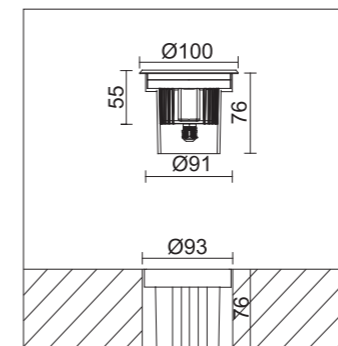
Honey comb louver

LED In-ground Light

Technical Data :
Die casting aluminum housing and Stainless steel front cover ring
Precise Optical lens and lighting distribution
Optional lighting beam angles:
AVX8005.XX: 5°, 15°, 25°, 45°, 60°, 15°*35°
Imported silicon rubber ring, High intensity tempered glass
Constant current drive, Stainless steel screws
Rugged, corrosion resistant PP recessed can
LED : AVX8005.XX: High Power LED 1w x3
AVX8017.XX: SMD LED 0.25w x12
XX: 01=3000K, 02=6000K, 08=4000K, 03=RGB
04=Red, 05=Green, 06=Blue, 07=Amber

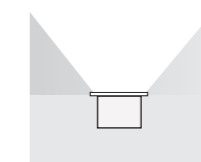
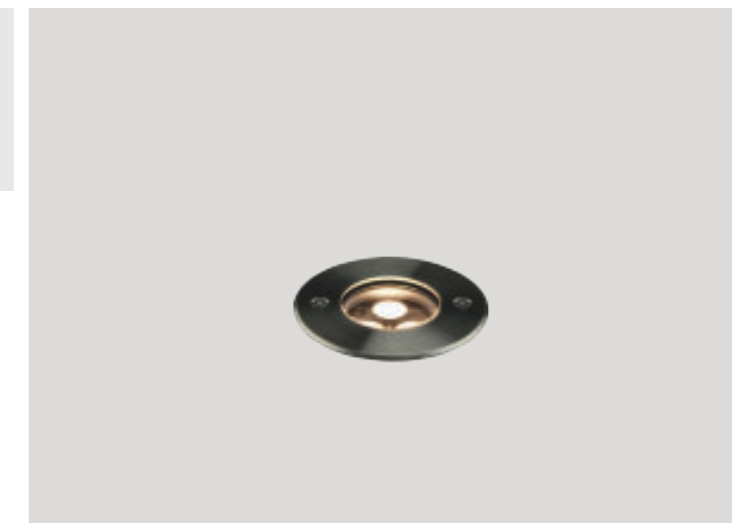
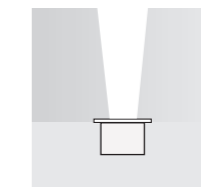
Protection Rating : IP67

Dimension



Model No.	Lamp	Luminous Flux(lm)	Power(w)	CCT(k)	Beam angle	Voltage	●
AVX8005.01	LED	329	4	3000	25°	24V.DC	246
AVX8005.02	LED	375	4	6000	25°	24V.DC	246
AVX8017.01	LED	180	4	3000	97°	24V.DC	
AVX8017.02	LED	144	4	6000	97°	24V.DC	

● Honey comb louver



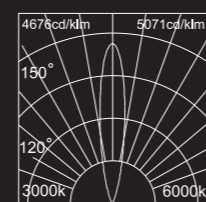
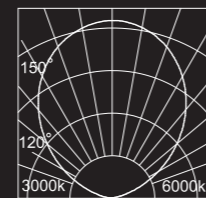
LED In-ground light Root H

AVX8023.XX 7W , AVX8041.XX 5W

Root H has different size and versions, IP67. This is a version comes with Cree 1W LED or SMD LED, same size with different LED and watts for different applications.

Die casting aluminum housing. LED chips are fixed on aluminum heat sink tightly which keeps fine heat conductivity from inside to outside. Professional designation gives reasonable housing size according to different watts. Different lighting beam angles allow Root H used differently on strict requests of lighting basis and provide various distributions to designers

Root H is applied widely in lighting of building surface, sculptures, corridors, trees and greenbelts.



LENS 25°

Ø(m)	E lx) 3000k	h(m)	E lx) 6000k
1.66	36	6	46
1.11	80	4	105
0.83	142	3	186
0.62	320	2	418
0.27	1278	1	1675



Bad outdoor environment



Touchable surface



2000kg
30km/h

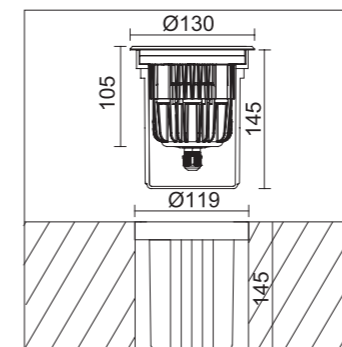


Honey comb louver

LED In-ground Light

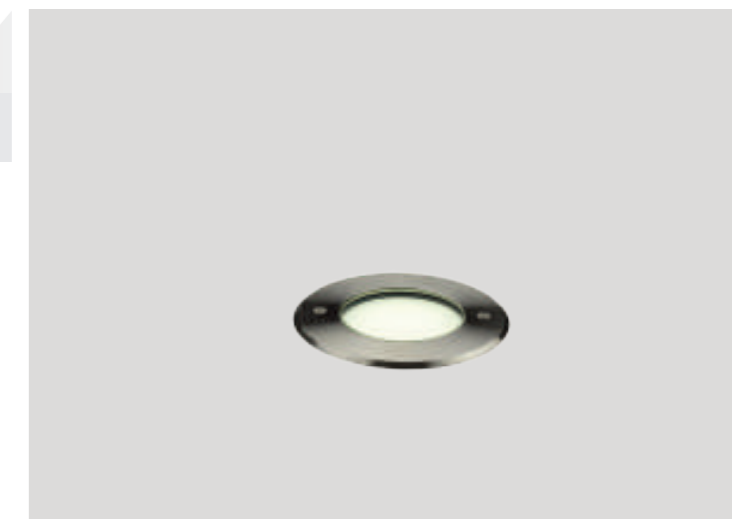
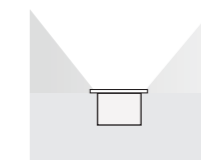
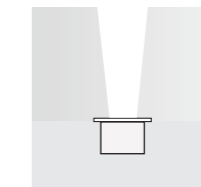
Technical Data :
Die casting aluminum housing and Stainless steel front cover ring
Precise Optical lens and lighting distribution
Optional lighting beam angles:
AVX8023.XX:5°,15°,25°,45°,60°,15°*35°
Imported silicon rubber ring,High intensity tempered glass
Constant current drive, Stainless steel screws
Rugged, corrosion resistant PP recessed can
LED : AVX8023.XX: High Power LED 1w x6
AVX8041.XX: SMD LED 0.25w x18
XX: 01=3000K, 02=6000K, 08=4000K, 03=RGB
04=Red, 05=Green, 06=Blue, 07=Amber
Protection Rating : IP67

Dimension



Model No.	Lamp	Luminous Flux(lm)	Power(w)	CCT(k)	Beam angle	Voltage	●
AVX8023.01	LED	750	7	3000	25°	100V~240V	247
AVX8023.02	LED	852	7	6000	25°	100V~240V	247
AVX8023.03	LED	520	7	R.G.B	25°	24V.DC	247
AVX8041.01	LED	215	5	3000	97°	100V~240V	
AVX8041.02	LED	270	5	6000	97°	100V~240V	
AVX8041.03	LED	205	5	R.G.B	97°	24V.DC	

● Honey comb louver



LED In-ground light Root H

AVX8028.XX 7W , AVX8045.XX 5W

Root H has different size and versions, IP67. This is a version comes with Cree 1W LED or SMD LED, same size with different LED and watts for different applications.

Die casting aluminum housing. LED chips are fixed on aluminum heat sink tightly which keeps fine heat conductivity from inside to outside. Professional designation gives reasonable housing size according to different watts. Different lighting beam angles allow Root H used differently on strict requests of lighting basis and provide various distributions to designers

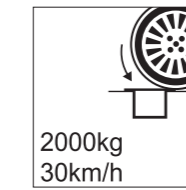
Root H is applied widely in lighting of building surface, sculptures, corridors, trees and greenbelts.



Bad outdoor environment



Touchable surface



2000kg
30km/h



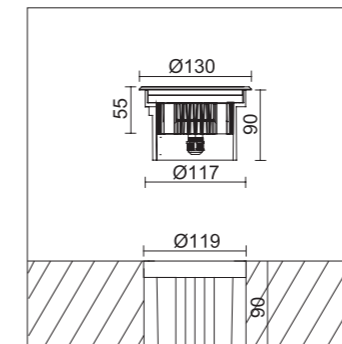
Honey comb louver

LED In-ground Light

Technical Data :
Die casting aluminum housing and Stainless steel front cover ring
Precise Optical lens and lighting distribution
Optional lighting beam angles:
AVX8028.XX: 5°,15°,25°,45°,60°,15°*35°
Imported silicon rubber ring,High intensity tempered glass
Constant current drive, Stainless steel screws
Rugged, corrosion resistant PP recessed can
LED : AVX8028.XX: High Power LED 1w x6
AVX8045.XX: SMD LED 0.25w x18
XX: 01=3000K, 02=6000K, 08=4000K, 03=RGB
04=Red, 05=Green, 06=Blue, 07=Amber

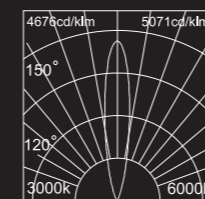
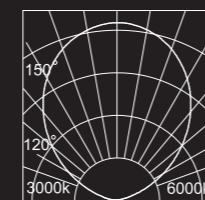
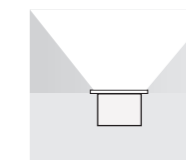
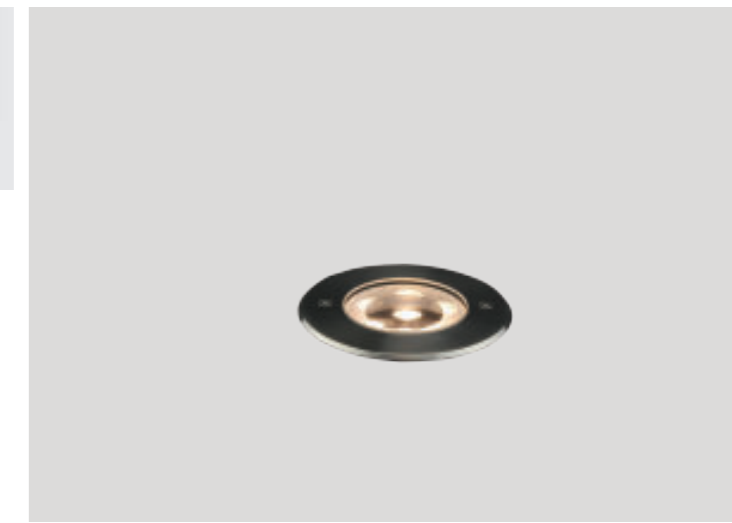
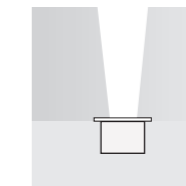
Protection Rating: IP67

Dimension



Model No.	Lamp	Luminous Flux(lm)	Power(w)	CCT(k)	Beam angle	Voltage	
AVX8028.01	LED	750	7	3000	25°	24V.DC	247
AVX8028.02	LED	852	7	6000	25°	24V.DC	247
AVX8028.03	LED	520	7	R.G.B	25°	24V.DC	247
AVX8045.01	LED	215	5	3000	97°	24V.DC	
AVX8045.02	LED	270	5	6000	97°	24V.DC	
AVX8045.03	LED	205	5	R.G.B	97°	24V.DC	

● Honey comb louver



LENS 25°

Ø(m)	E(lx) 3000k	h(m)	E(lx) 6000k
1.66	36	6	46
1.11	80	4	105
0.83	142	3	186
0.62	320	2	418
0.27	1278	1	1675

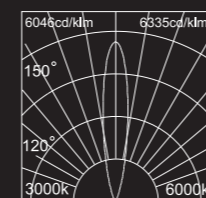
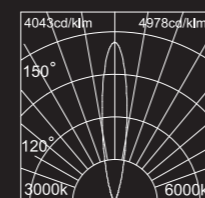
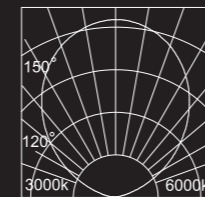
LED In-ground light Root H

AVX8048.XX 13W , AVX8065.XX 17W, AVX8077.XX 6W

Root H has different size and versions, IP67. This is a version comes with Cree 1W LED or SMD LED, same size with different LED and watts for different applications.

Die casting aluminum housing. LED chips are fixed on aluminum heat sink tightly which keeps fine heat conductivity from inside to outside. Professional designation gives reasonable housing size according to different watts. Different lighting beam angles allow Root H used differently on strict requests of lighting basis and provide various distributions to designers

Root H is applied widely in lighting of building surface, sculptures, corridors, trees and greenbelts.



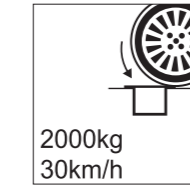
LENS 25°				LENS 35°			
Ø(m)	E(lx) 3000k	h(m)	E(lx) 6000k	Ø(m)	E(lx) 3000k	h(m)	E(lx) 6000k
1.88	48	+6	69	1.62	95	+6	112
1.25	107	+4	155	1.08	213	+4	253
0.93	190	+3	276	0.82	378	+3	452
0.62	428	+2	620	0.53	851	+2	1015
0.32	1709	+1	2478	0.27	3405	+1	4061



Bad outdoor environment



Touchable surface



2000kg
30km/h



Honey comb louver

LED In-ground Light

Technical Data :

Die casting aluminum housing and Stainless steel front cover ring

Precise Optical lens and lighting distribution

Optional lighting beam angles:

AVX8048.XX: 5°,15°,25°,45°,60°,15°*50°,10°*60°,15°*35°

AVX8065.XX: 5°, 15,25°, 45°, 60°, 15°*35°

Imported silicon rubber ring,High intensity tempered glass

Constant current drive, Stainless steel screws

Rugged, corrosion resistant PP recessed can

LED: High Power LED AVX8048.XX: 1w x9; AVX8065.XX: 1w x12

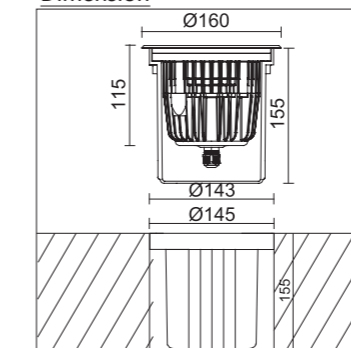
AVX8077.XX: SMD LED 0.25w x24

XX: 01=3000K, 02=6000K, 08=4000K, 03=RGB

04=Red, 05=Green, 06=Blue, 07=Amber

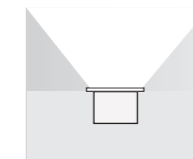
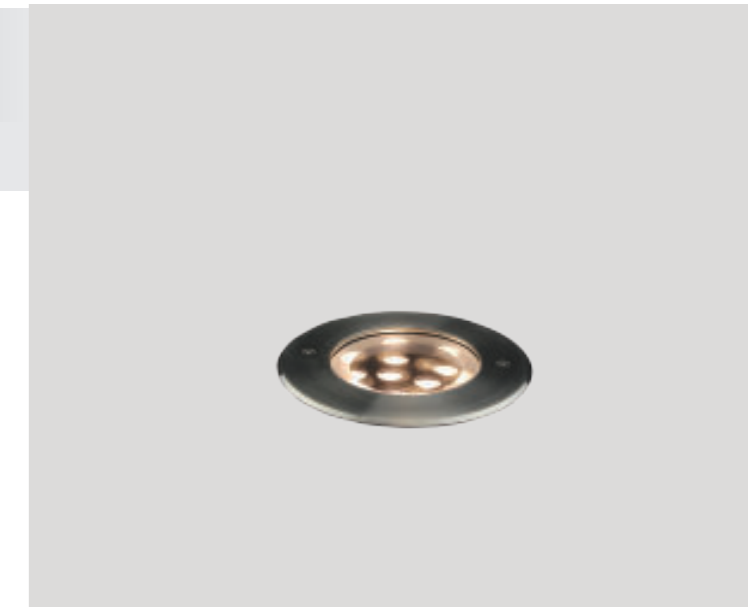
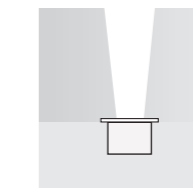
Protection Rating : IP67

Dimension



Model No.	Lamp	Luminous Flux(lm)	Power(w)	CCT(k)	Beam angle	Voltage	Color
AVX8048.01	LED	1175	13	3000	15°	100V~240V	248
AVX8048.02	LED	1278	13	6000	15°	100V~240V	248
AVX8048.03	LED	720	13	R.G.B	15°	24V.DC	248
AVX8065.01	LED	1500	17	3000	25°	100V~240V	248
AVX8065.02	LED	1704	17	6000	25°	100V~240V	248
AVX8065.03	LED	960	17	R.G.B	25°	24V.DC	248
AVX8077.01	LED	306	6	3000	97°	100V~240V	248
AVX8077.02	LED	360	6	6000	97°	100V~240V	248
AVX8077.03	LED	295	6	R.G.B	97°	24V.DC	248

● Honey comb louver



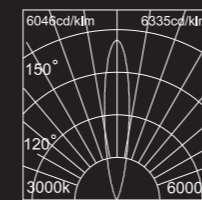
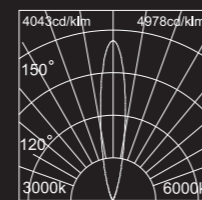
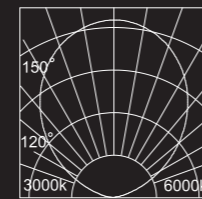
LED In-ground light Root H

AVX8061.XX 13W, AVX8069.XX 17W, AVX8095.XX 6W

Root H has different size and versions, IP67. This is a version comes with Cree 1W LED or SMD LED, same size with different LED and watts for different applications.

Die casting aluminum housing. LED chips are fixed on aluminum heat sink tightly which keeps fine heat conductivity from inside to outside. Professional designation gives reasonable housing size according to different watts. Different lighting beam angles allow Root H used differently on strict requests of lighting basis and provide various distributions to designers

Root H is applied widely in lighting of building surface, sculptures, corridors, trees and greenbelts.



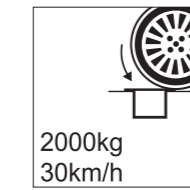
LENS 25°				LENS 25°			
Ø(m)	E(lx) 3000k	h(m)	E(lx) 6000k	Ø(m)	E(lx) 3000k	h(m)	E(lx) 6000k
1.88	48	6	69	1.62	95	6	112
1.25	107	4	155	1.08	213	4	253
0.93	190	3	276	0.82	378	3	452
0.62	428	2	620	0.53	851	2	1015
0.32	1709	1	2478	0.27	3405	1	4061



Bad outdoor environment



Touchable surface



2000kg
30km/h



Honey comb louver

LED In-ground Light

Technical Data :

Die casting aluminum housing and Stainless steel front cover ring
Precise Optical lens and lighting distribution

Optional lighting beam angles:

AVX8061.XX:5°,15°,25°,45°,60°,15°*35°

AVX8069.XX:5°,15°,25°,45°,60°,15°*35°

Imported silicon rubber ring,High intensity tempered glass

Constant current drive, Stainless steel screws

Rugged, corrosion resistant PP recessed can

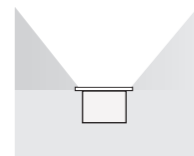
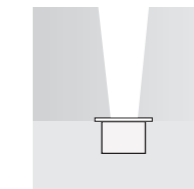
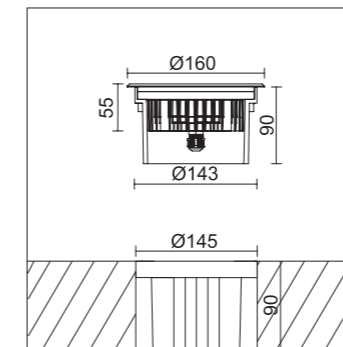
LED: High Power LED AVX8061.XX: 1wx 9; AVX8069.XX 1w x12,

AVX8095.XX: SMD LED 0.25w x24XX: 01=3000K, 02=6000K, 08=4000K,

03=RGB, 04=Red, 05=Green, 06=Blue, 07=Amber

Protection Rating : IP67

Dimension



Model No.	Lamp	Luminous Flux(lm)	Power(w)	CCT(k)	Beam angle	Voltage	●
AVX8061.01	LED	1175	13	3000	15°	24V.DC	248
AVX8061.02	LED	1278	13	6000	15°	24V.DC	248
AVX8069.01	LED	1500	17	3000	25°	24V.DC	248
AVX8069.02	LED	1704	17	6000	25°	24V.DC	248
AVX8095.01	LED	306	6	3000	97°	24V.DC	
AVX8095.02	LED	360	6	6000	97°	24V.DC	

● Honey comb louver

LED In-ground light Root H

AVX8112.XX 7W, AVX8180.XX 15W, AVX8113.XX 12W, AVX8181.XX 20W, AVX8114.XX 15W, AVX8185.XX 6W, AVX8186.XX 12W

Root H has different size and versions, IP67. This is a version comes with Cree 1W LED or SMD LED, same size with different LED and watts for different applications.

Die casting aluminum housing. LED chips are fixed on aluminum heat sink tightly which keeps fine heat conductivity from inside to outside. Professional designation gives reasonable housing size according to different watts. Different lighting beam angles allow Root H used differently on strict requests of lighting basis and provide various distributions to designers

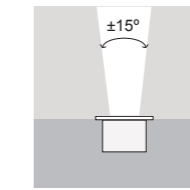
Root H is applied widely in lighting of building surface, sculptures, corridors, trees and greenbelts.



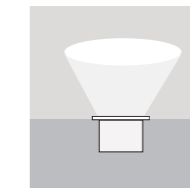
Bad outdoor environment



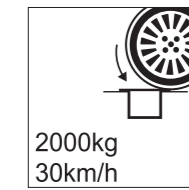
Touchable surface



±15° tilt
360° rotation



20°x55° Lighting distribution



2000kg
30km/h

LED In-ground Light

Technical Data :

Die casting aluminum housing and Stainless steel front cover ring

Precise Optical lens and lighting distribution

Optional lighting beam angles: AVX8112/ 8113:5°,15°,25°,45°,60°,15°*50°,10°*60°,15°*35°

AVX8185/AVX8186: 3°; AVX8114 5°,15°, 25°, 45°, 60°, 25°*55°

Imported silicon rubber ring, High intensity tempered glass

Constant current drive, Stainless steel screws

Rugged, corrosion resistant PP recessed can

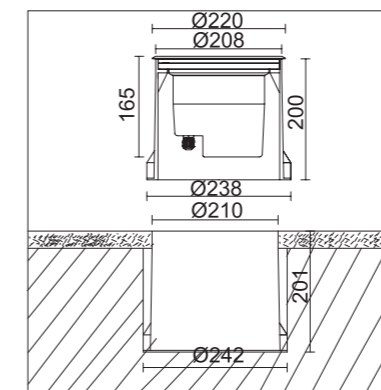
LED : High Power LED AVX8112: 1w x6; AVX8180: 2w x6; AVX8185 : 1w x5 ; AVX8186: 2w x5;

AVX8113:1w x9; AVX8181:2w x9; AVX8114: 1w x12

XX: 01=3000K, 02=6000K, 08=4000K, 03=RGB, 04=Red, 05=Green, 06=Blue

Protection Rating: IP67

Dimension



Model No.	Lamp	Luminous Flux(lm)	Power(w)	CCT(k)	Beam angle	Voltage	●
AVX8112.01	LED	750	7	3000	25°	100V~240V	247
AVX8180.01	LED	1284	15	3000	25°	100V~240V	247
AVX8185.01	LED	625	6	3000	3°	100V~240V	
AVX8186.01	LED	1070	12	3000	3°	100V~240V	
AVX8113.01	LED	1125	12	3000	25°	100V~240V	249
AVX8113.03	LED	720	12	R.G.B	25°	24V.DC	249
AVX8181.01	LED	1926	20	3000	25°	100V~240V	249
AVX8181.03	LED	1700	20	R.G.B	25°	24V.DC	249
AVX8114.01	LED	1500	15	3000	25°	100V~240V	249
AVX8114.03	LED	960	15	R.G.B	25°	24V.DC	249

● Honey comb louver



AVX8185.XX AVX8186.XX

LED In-ground Light Root S

AVX8082.XX ,AVX8083.XX 6W

Root S has different size and versions, IP67. This is a version comes with SMD LED with super wide lighting distribution option. Designed for some warm environment.

Die casting aluminum housing. Stainless Steel front cover ring. Different size and watts allow Root S used differently on strict requests of lighting basis and the short housing is specially designed for short depth places.

Root S is applied widely in lighting of building surface, sculptures, corridors, trees and greenbelts.



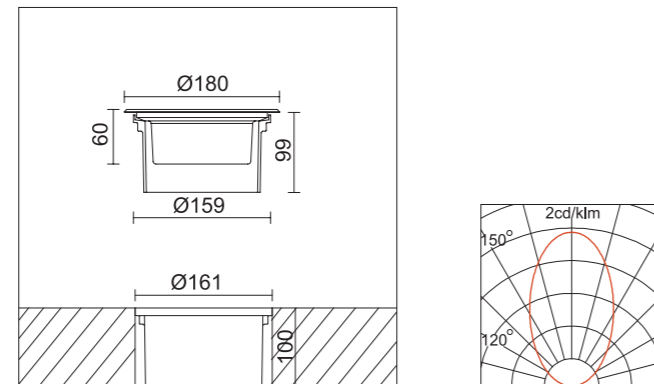
LED In-ground light

Technical Data : Die casting aluminum housing and Stainless steel front cover ring
 In Built quality acrylic diffuser
 Super wide lighting beam angle, soft lighting distribution
 Imported silicon rubber ring
 High intensity tempered glass
 Constant current drive
 Stainless steel screws
 Triac Dimming and 0-10V dimming are available

LED : SMD LED 0.25w x24
 XX: 01=3000K, 02=6000K, 08=4000K, 03=RGB
 04=Red, 05=Green, 06=Blue, 07=Amber

Protection Rating: IP67

Dimension



Model No.	Lamp	Luminous Flux(lm)	Power(w)	CCT(k)	Beam angle	Voltage
AVX8082.01	LED	331	6	3000	97°	100V~240V
AVX8082.02	LED	390	6	6000	97°	100V~240V
AVX8082.03	LED	298	6	R.G.B	97°	24V.DC



Bad outdoor environment



Touchable surface

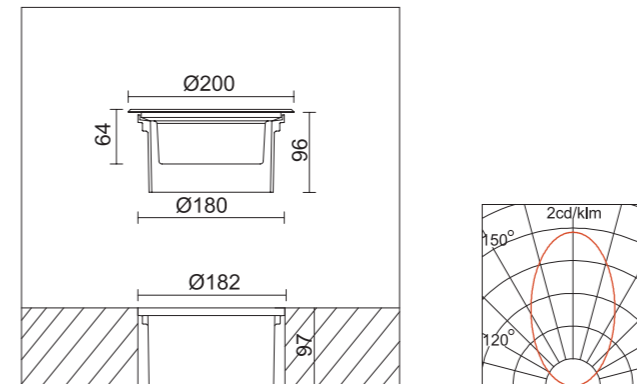
LED In-ground light

Technical Data : Die casting aluminum housing and Stainless steel front cover ring
 In Built quality acrylic diffuser
 Super wide lighting beam angle, soft lighting distribution
 Imported silicon rubber ring
 High intensity tempered glass
 Constant current drive
 Stainless steel screws
 Triac Dimming and 0-10V dimming are available

LED : SMD LED 0.25w x24
 XX: 01=3000K, 02=6000K, 08=4000K, 03=RGB
 04=Red, 05=Green, 06=Blue, 07=Amber

Protection Rating: IP67

Dimension



Model No.	Lamp	Luminous Flux(lm)	Power(w)	CCT(k)	Beam angle	Voltage
AVX8083.01	LED	331	6	3000	97°	100V~240V
AVX8083.02	LED	390	6	6000	97°	100V~240V
AVX8083.03	LED	298	6	R.G.B	97°	24V.DC



LED In-ground Light Root S

AVX8034A.XX 14W, AVX8034B.XX 14W

Root S has different size and versions, IP67. This is a version comes with SMD LED with super wide lighting distribution option. Designed for some warm environment.

Die casting aluminum housing. Stainless Steel front cover ring. Different size and watts allow Root S used differently on strict requests of lighting basis and the short housing is specially designed for short depth places.

Root S is applied widely in lighting of building surface, sculptures, corridors, trees and greenbelts.



Bad outdoor environment

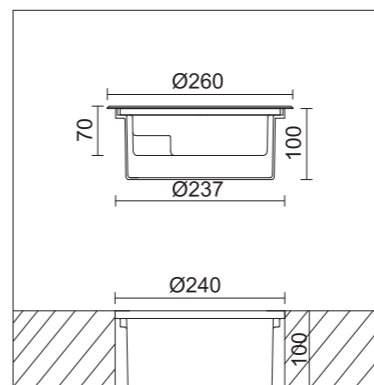


Touchable surface

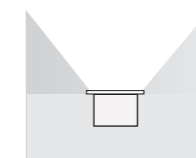
LED In-ground light

Technical Data :
 Die casting aluminum housing and Stainless steel front cover ring
 In Built quality acrylic diffuser
 Super wide lighting beam angle, soft lighting distribution
 Imported silicon rubber ring
 High intensity tempered glass
 Constant current drive
 Stainless steel screws
 Triac Dimming and 0-10V dimming are available
 LED : SMD LED x60
 XX: 01=3000K, 02=6000K, 08=4000K, 03=RGB
 04=Red, 05=Green, 06=Blue, 07=Amber
 Protection Rating : IP67

Dimension



Model No.	Lamp	Luminous Flux(lm)	Power(w)	CCT(k)	Beam angle	Voltage
AVX8034A.02	LED	480	14	6000	97°	100V~240V
AVX8034B.02	LED	480	14	6000	97°	100V~240V



AVX8034A.02



AVX8034B.02

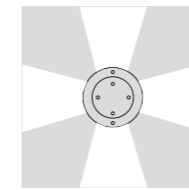
LED Half-recessed in-ground Light Root HR

AVX8149.XX 6W , AVX8150.XX 11W

This is a half-recessed version comes with COB LED with four sides lighting output and designed for some special applications.

The recessed part is made of stainless steel and the materials of column is die casting aluminum. The wattage can be made customized.

Root HR is applied specially in lighting of building surface, trees and greenbelts.



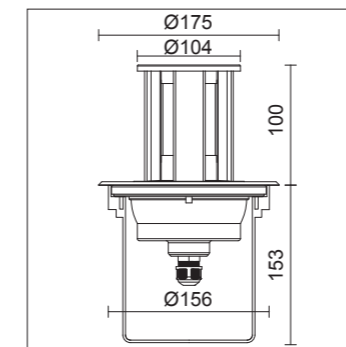
COB LED Half-recessed in-ground light

Technical Data : Stainless steel housing
Die casting aluminum column
Imported silicon rubber ring
Optical PC cover
Constant current drive
Stainless steel screws
Triac Dimming and 0-10V dimming are available

LED : COB LED
XX: 01=3000K, 08=4000K, 02=5000K

Protection Rating : IP67

Dimension



Model No.	Lamp	Luminous Flux(lm)	Power(w)	CCT(k)	Beam angle	Voltage
AVX8149.01	COB LED	656	6	3000	45°	100V~240V
AVX8149.08	COB LED	675	6	4000	45°	100V~240V
AVX8149.02	COB LED	687	6	5000	45°	100V~240V
AVX8150.01	COB LED	1364	11	3000	45°	100V~240V
AVX8150.08	COB LED	1408	11	4000	45°	100V~240V
AVX8150.02	COB LED	1426	11	5000	45°	100V~240V



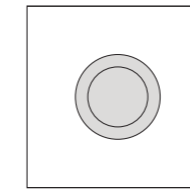
LED Half-recessed in-ground Light Root HR

AVX8137.XX 6W, AVX8150.XX 11W

This is a half-recessed version comes with COB LED with 360°annular lighting output and designed for some special applications.

The recessed part is made of die casting aluminum and the materials of column is PC with 70mm height. Stainless steel front cover ring and top cover.

Root HR is applied specially in lighting of building surface, trees and greenbelts.



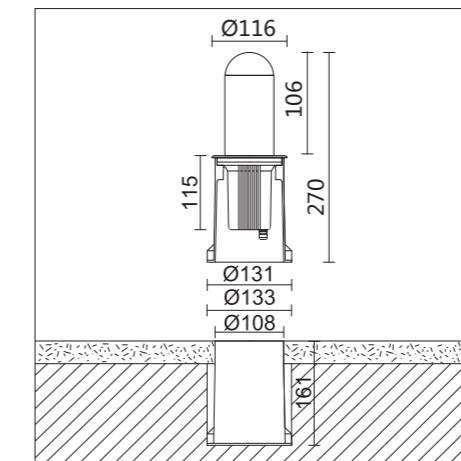
COB LED Half-recessed in-ground light

Technical Data: Die casting aluminum housing and Stainless steel cover ring and top cover
Optical PC cover
Imported silicon rubber ring
Constant current drive
Stainless steel screws
Rugged, corrosion resistant PP recessed can

LED : COB LED
XX: 01=3000K, 08=4000K, 02=5000K

Protection Rating : IP67

Dimension



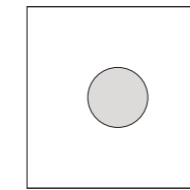
Model No.	Lamp	Luminous Flux(lm)	Power(w)	CCT(k)	Beam angle	Voltage
AVX8137.01	COB LED	656	6	3000	360°	100V~240V
AVX8137.08	COB LED	675	6	4000	360°	100V~240V
AVX8137.02	COB LED	687	6	5000	360°	100V~240V



LED Half-recessed in-ground Light Root HR

AVX8136.XX 5W

This is a half-recessed version comes with SMD LED with 360°annular lighting output and designed for some special applications.
The recessed part and 11mm high diffuser are both made of plastic. Stainless steel top cover ring. IP67.
Root HR is applied specially in lighting of building surface, trees and greenbelts.



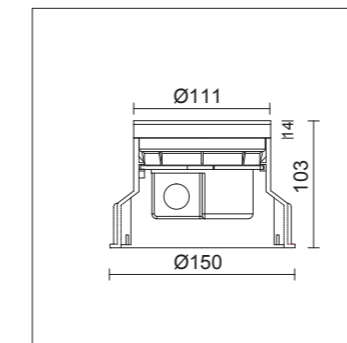
LED Half-recessed in-ground light

Technical Data : Entirely plastic housing
Stainless steel top cover ring
Imported silicon rubber ring
Optical lighting diffuser
In built drive

LED : SMD LED x24

Protection Rating : IP67

Dimension



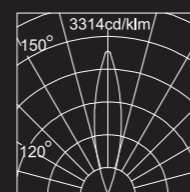
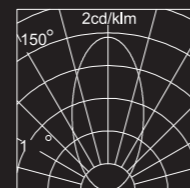
Model No.	Lamp	Luminous Flux(lm)	Power(w)	CCT(k)	Beam angle	Voltage
AVX8136.01	LED	240	5	3000	360°	100V~240V
AVX8136.08	LED	350	5	4000	360°	100V~240V
AVX8136.02	LED	360	5	6000	360°	100V~240V



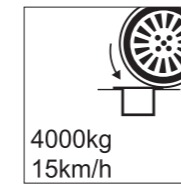
LED In-ground light Root P

AVX8316.XX 2W , AVX8317.XX 1W

Root P is a kind of product made of stainless steel and completed with Cree high power LED, drove by customized power supply. Optimized heat dissipation. Long lifetime.
IP68 makes Root P fit to any wet or underwater environment, applied in square, river levee, green belt or bush where always watered. Precise optical lens, different lighting beam angles.
SS316 is available and necessary for seaside application. Durable and super small.



H(M)	Em(x)
2,5	1
2	2
1,5	4
1	8
0,5	12



4000kg
15km/h

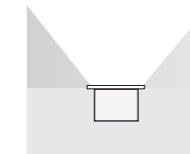
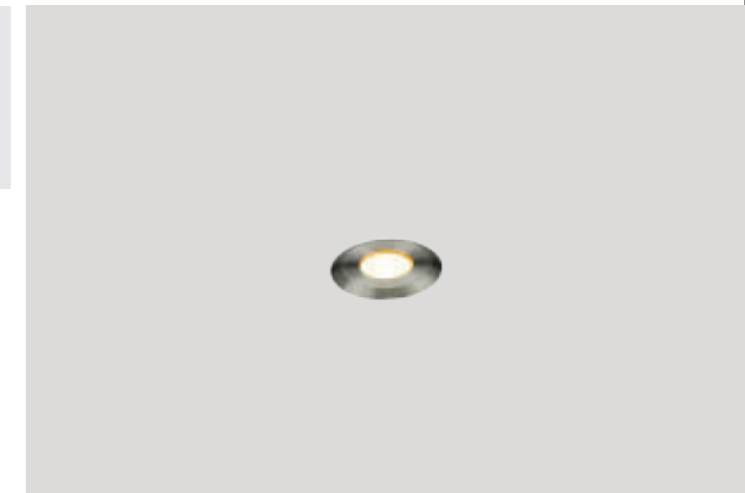
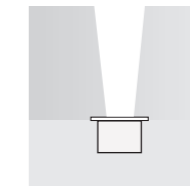
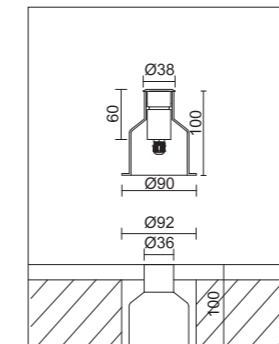


LED In-groud light

Technical Data :
Stainless steel housing and front cover ring
Imported silicon rubber ring
High intensity tempered glass
Available Lighting beam angles : 8316.XX: 15° , 25° , 40°
In built self-developed driver
Rugged, corrosion resistant PP recessed can
LED: AVX8136.XX: High Power led 1w x1
AVX8137.XX: SMD LED x6
XX: 01=3000K, 08=4000K, 02=6000K,
04=Red, 05=Green, 06=Blue, 07=Amber

Protection Rating: IP68...5m

Dimension

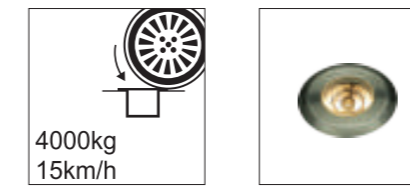


Model No.	Lamp	Luminous Flux(lm)	Power(w)	CCT(k)	Beam angle	Voltage
AVX8316.01	LED	166	2	3000	25°	24V.DC
AVX8316.02	LED	189	2	6000	25°	24V.DC
AVX8317.01	LED	64	1	3000	100°	24V.DC
AVX8317.02	LED	75	1	6000	100°	24V.DC

LED In-ground light Root P

AVX8318.XX 4W , AVX8319.XX 3W, AVX8320.XX 2W

This range is made of stainless steel front cover ring and die casting alloy housing, completed with Cree high power LED , drove by customized power supply. Optimized heat dissipation. Long lifetime.
 IP68 makes Root P fit to any wet or underwater environment, applied in square, river levee, green belt or bush where always watered. Precise optical lens, different lighting beam angles.
 SS316 is available and necessary for seaside application. Durable and super small.



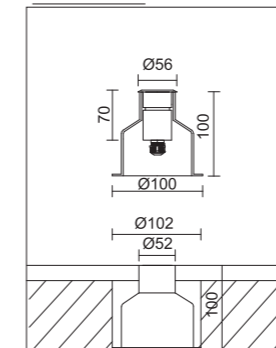
AVX340

LED In-ground light

Technical Data : Stainless steel housing and front cover ring
 High intensity tempered glass
 Imported silicon rubber ring
 Available Lighting beam angles:
 AVX8318.XX: 15°, 25°,40°; AVX8319.XX:15°, 45°
 In built self-developed driver
 Rugged, corrosion resistant PP recessed can
LED: High Power LED: AVX8138.XX: 1w x3; AVX8319.XX: 3w x1
 AVX8320.XX: SMD LED x6
 XX: 01=3000K, 08=4000K, 02=6000K,
 04=Red, 05=Green,06=Blue, 07=Amber

Protection Rating: IP68...5m

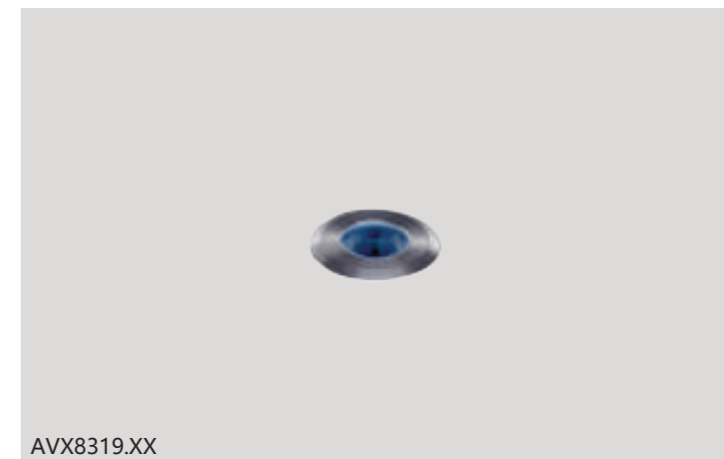
Dimension



Model No.	Lamp	Luminous Flux(lm)	Power(w)	CCT(k)	Beam angle	Voltage
AVX8318.01	LED	375	4	3000	40°	100V~240V
AVX8318.02	LED	426	4	6000	40°	100V~240V
AVX8319.01	LED	153	3	3000	45°	100V~240V
AVX8319.02	LED	180	3	6000	45°	100V~240V
AVX8320.01	LED	76	2	3000	100°	100V~240V
AVX8320.02	LED	90	2	6000	100°	100V~240V



AVX8318.XX



AVX8319.XX



AVX8320.XX

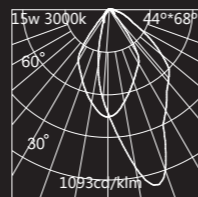
LED In-ground light Root P

AVX8139.XX 15W

Root P has different size and versions, IP68. This is a medium power and asymmetrical COB version, same size with different watts for different applications.

Root P comes with COB LED and new-designed aluminum reflector with high reflection and precision. In built optimized structure of heat dissipation makes LED work in a stable and desired temperature range and represent high lighting output and long lifetime.

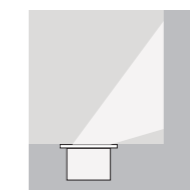
Root P is applied widely in lighting of building surface, sculptures, corridors, trees and greenbelts.



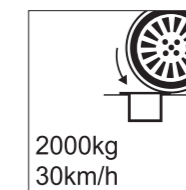
Bad outdoor environment



Touchable surface



Asymmetrical aluminum reflector



2000kg
30km/h

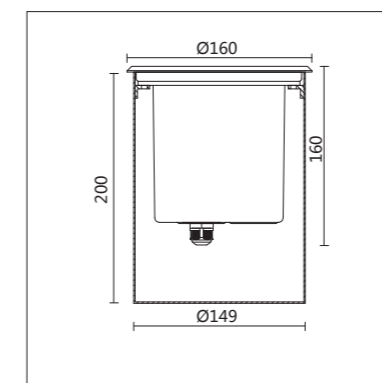
COB LED In-ground Light

Technical Data : 316 Stainless steel housing and stainless steel front cover ring
Asymmetrical aluminum reflector with high reflection
Imported silicon rubber ring
High intensity tempered glass
Constant current drive
Stainless steel screws
Triac Dimming and 0-10V dimming are available

LED : COB LED
XX: 01=3000K, 08=4000K, 02=5000K

Protection Rating : IP68

Dimension



Model No.	Lamp	Luminous Flux(lm)	Power(w)	CCT(k)	Beam angle	Voltage
AVX8139.01	COB LED	1462	15	3000	44°*68°	100V~240V
AVX8139.08	COB LED	1572	15	4000	44°*68°	100V~240V
AVX8139.02	COB LED	1807	15	5000	44°*68°	100V~240V



LED In-ground light Root P

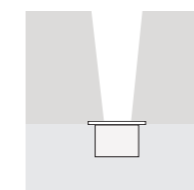
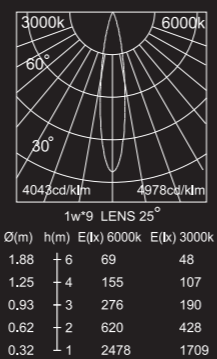
AVX8156.XX 12W, AVX8159.XX 16W

Root P is consisted of 316 extruded stainless steel housing and mounting bracket, the max installation depth underwater is 5M .

High IP rating is required for underwater application. Product won't float for the weight and consistency of stainless steel. High Thickness waterproof housing. Latest and brand LED chip. High brightness and durability ensure lower maintenance and longer lifetime .

No ultraviolet radiation or infrared ray make root P environmental and comfortable.

DMX512 digital control system makes lighting and color of water concordant and gives soul to the view at night.



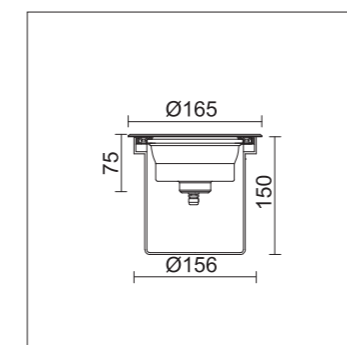
LED In-ground light

Technical Data : 316 Extruded Stainless steel housing and cover ring
 Precise optical lens and lighting distribution
 Optional Lighting beam angles : 5°, 15°, 25°, 38°, 45°, 60°
 Imported silicon rubber ring
 High intensity tempered glass
 Integrated driver, 12V.DC/24V.DC input, AVX9213.03 24V.DC

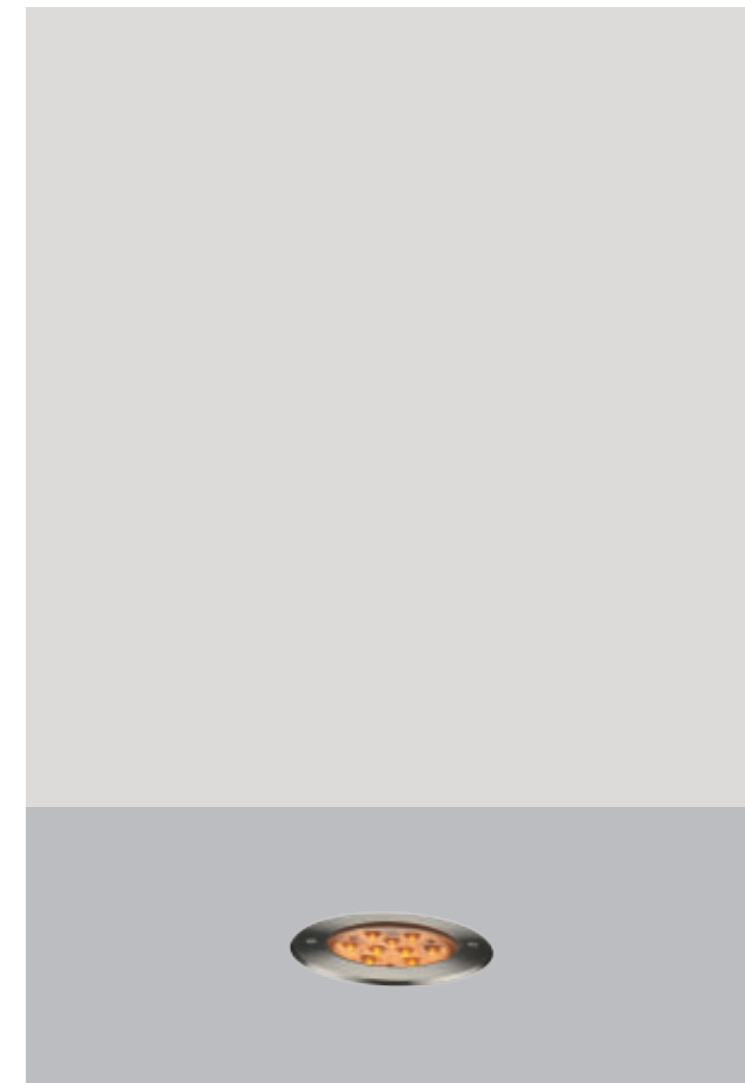
LED : High Power LED
 AVX8156.XX: 1w x9 350mA
 AVX8159.XX, AVX8156.03: 1.5w x9 500mA
 XX: 01=3000K, 08=4000K, 02=6000K, 03=R.G.B
 04=Red, 05=Green, 06=Blue, 07=Amber

Protection Rating : IP68...5m

Dimension



Model No.	Lamp	Luminous Flux(lm)	Power(w)	CCT(k)	Beam angle	Voltage
AVX8156.01	LED	1125	12	3000	15°	12V.DC/24V.DC
AVX8156.02	LED	1278	12	6000	15°	12V.DC/24V.DC
AVX8156.03	LED	1205	16	R.G.B	15°	24V.DC
AVX8159.01	LED	1494	16	3000	15°	12V.DC/24V.DC
AVX8159.02	LED	1701	16	6000	15°	12V.DC/24V.DC



LED In-ground light Root P

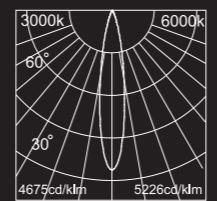
AVX8177.XX 23W, AVX8178.XX 30W

Root P is consisted of 316 extruded stainless steel housing and mounting bracket, the max installation depth underwater is 5M.

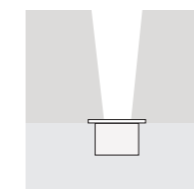
High IP rating is required for underwater application. Product won't float for the weight and consistency of stainless steel. High Thickness waterproof housing. Latest and brand LED chip. High brightness and durability ensure lower maintenance and longer lifetime.

No ultraviolet radiation or infrared ray make Conch EB environmental and comfortable.

DMX512 digital control system makes lighting and color of water concordant and gives soul to the view at night.



1w*18 LENS 25°			
Ø(m)	h(m)	E(lx) 6000k	E(lx) 3000k
1.87	+6	126	111
1.25	+4	284	250
0.93	+3	505	443
0.62	+2	1135	999
0.31	+1	4536	3993



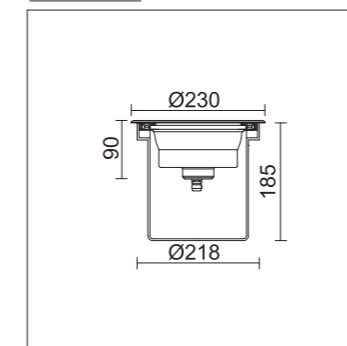
LED In-ground light

Technical Data : 316 Extruded Stainless steel housing and cover ring
 Precise optical lens and lighting distribution
 Optional Lighting beam angles : 15°, 25°, 38°, 45°, 60°, 25°*35°
 Imported silicon rubber ring
 High intensity tempered glass
 Integrated driver, 12V.DC/24V.DC input, AVX9218.03 24V.DC

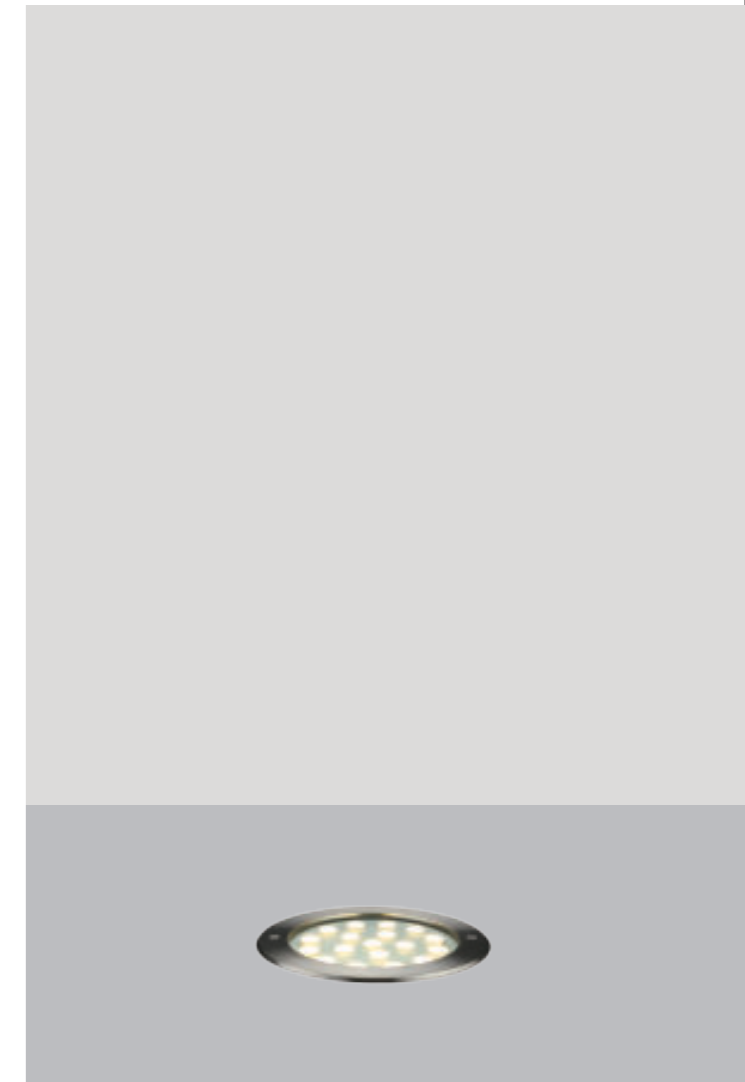
LED : High Power LED
 AVX8177.XX: 1w x18 350mA
 AVX8178.XX, AVX8177.03: 1.5w x18 500mA
 XX: 01=3000K, 08=4000K, 02=6000K, 03=R.G.B
 04=Red, 05=Green, 06=Blue, 07=Amber

Protection Rating : IP68...5m

Dimension



Model No.	Lamp	Luminous Flux(lm)	Power(w)	CCT(k)	Beam angle	Voltage
AVX8177.01	LED	2250	23	3000	25°	12V.DC/24V.DC
AVX8177.02	LED	2556	23	6000	25°	12V.DC/24V.DC
AVX8177.03	LED	2880	30	R.G.B	25°	24V.DC
AVX8178.01	LED	2988	30	3000	25°	12V.DC/24V.DC
AVX8178.02	LED	3402	30	6000	25°	12V.DC/24V.DC



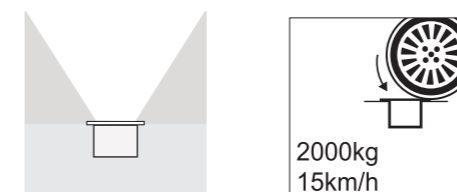
LED Rectangular in-ground light Root R

AVX8430.XX 3W

Root R serves as in-ground floodlight finished with square or rectangular stainless steel front cover and die casting aluminum housing. Uniform and soft lighting distribution.

8mm thickness tempered glass. Up to 200kgs max loading at 15km/hours speed. 24V.DC input voltage for public application. ≤45°Csurface temperature allows people walk over it.

DMX512 digital control system is compatible and used to create various fantastic effects. Widely applied in square, corridor step, and other places.



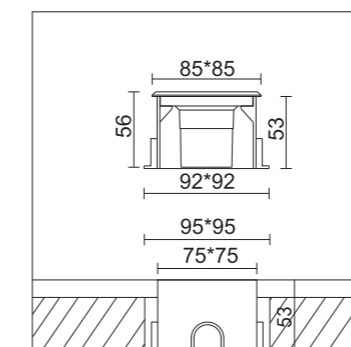
LED In-ground light

Technical Data : Die casting aluminum housing
Stainless steel front cover ring
Quality optical diffuser
High intensity tempered glass
Imported silicon rubber ring
24V.DC input
Stainless steel screws

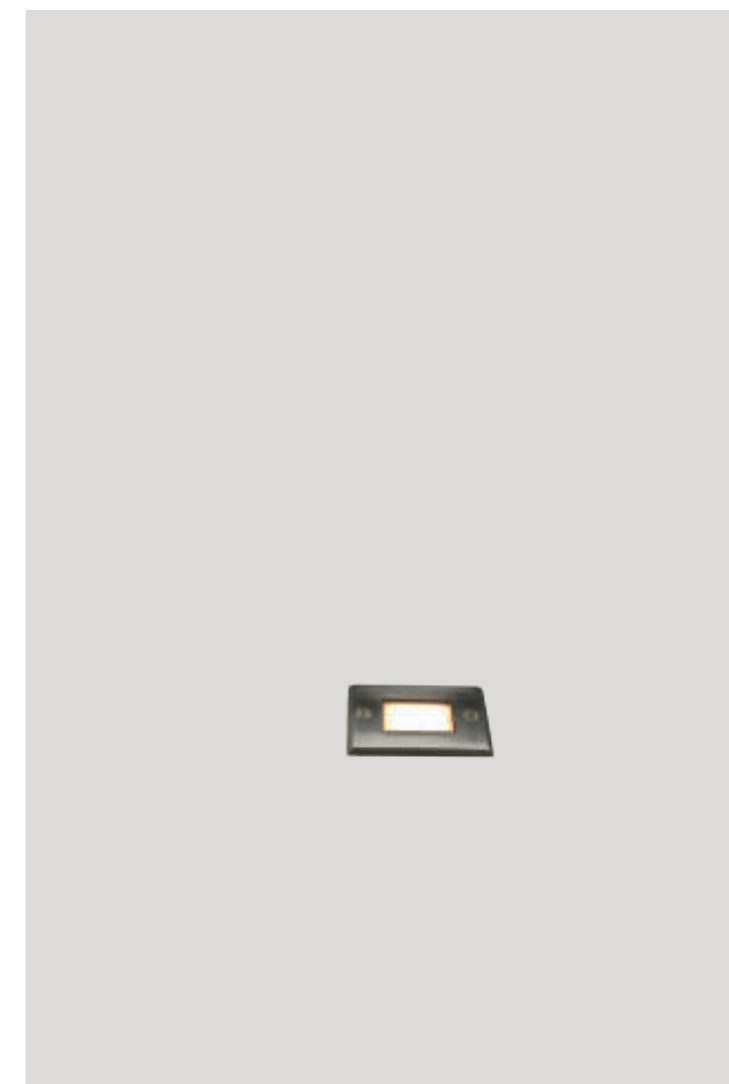
LED : SMD LED
XX: 01=3000K, 08=4000K, 02=6000K,
04=Red, 05=Green, 06=Blue, 07=Amber

Protection Rating: IP67

Dimension



Model No.	Lamp	Power(w)	CCT(k)	Beam angle	Voltage
AVX8430.01	LED	3	3000	90°	24V.DC
AVX8430.02	LED	3	6000	90°	24V.DC
AVX8430.03	LED	3	R.G.B	90°	24V.DC



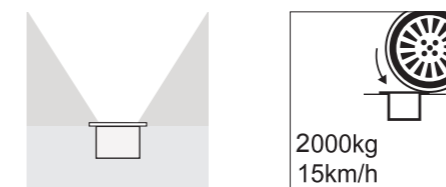
LED Rectangular in-ground light Root R

AVX8440.XX 5W, AVX8460.XX 6W

Root R serves as in-ground floodlight finished with square or rectangular stainless steel front cover and die casting aluminum housing. Uniform and soft lighting distribution.

8mm thickness tempered glass. Up to 200kgs max loading at 15km/hours speed. 24V.DC input voltage for public application. ≤45°Csurface temperature allows people walk over it.

DMX512 digital control system is compatible and used to create various fantastic effects. Widely applied in square, corridor step,and other places.



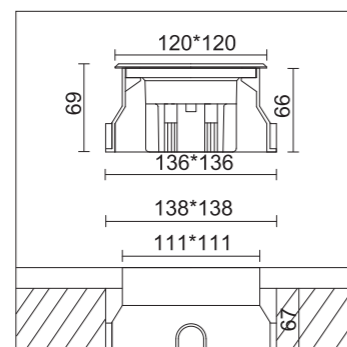
LED In-ground light

Technical Data : Die casting aluminum housing
Stainless steel front cover ring
Quality optical diffuser
High intensity tempered glass
Imported silicon rubber ring
24V.DC input
Stainless steel screws

LED : SMD LED
XX: 01=3000K, 08=4000K, 02=6000K
04=Red, 05=Green, 06=Blue

Protection Rating : IP67

Dimension



Model No.	Lamp	Power(w)	CCT(k)	Beam angle	Voltage
AVX8440.01	LED	5	3000	90°	24V.DC
AVX8440.02	LED	5	6000	90°	24V.DC
AVX8440.03	LED	5	R.G.B	90°	24V.DC

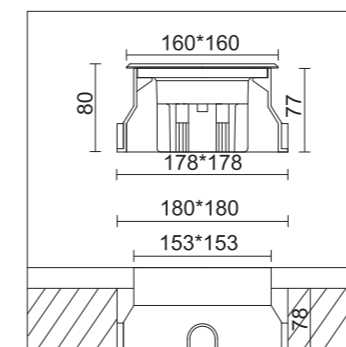
LED In-ground light

Technical Data : Die casting aluminum housing
Stainless steel front cover ring
Quality optical diffuser
High intensity tempered glass
Imported silicon rubber ring
24V.DC input
Stainless steel screws

LED : SMD LED
XX: 01=3000K, 08=4000K, 02=6000K
04=Red, 05=Green, 06=Blue

Protection Rating : IP67

Dimension



Model No.	Lamp	Power(w)	CCT(k)	Beam angle	Voltage
AVX8460.01	LED	6	3000	90°	24V.DC
AVX8460.02	LED	6	6000	90°	24V.DC
AVX8460.03	LED	6	R.G.B	90°	24V.DC

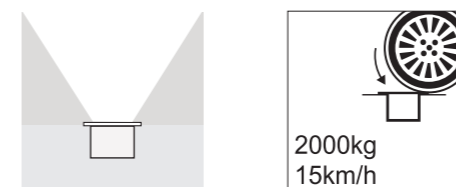
LED Rectangular in-ground light Root R

AVX8510.XX 3W, AVX8520.XX 4W, AVX8530.XX 6W

Root R serves as in-ground floodlight finished with square or rectangular stainless steel front cover and die casting aluminum housing. Uniform and soft lighting distribution.

8mm thickness tempered glass. Up to 200kgs max loading at 15km/hours speed. 24V.DC input voltage for public application. ≤45°Csurface temperature allows people walk over it.

DMX512 digital control system is compatible and used to create various fantastic effects. Widely applied in square, corridor step,and other places.



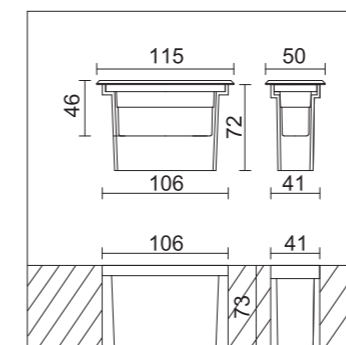
LED In-ground light

Technical Data : Die casting aluminum housing
Stainless steel front cover ring
Quality optical diffuser
High intensity tempered glass
Imported silicon rubber ring
24V.DC input
Stainless steel screws

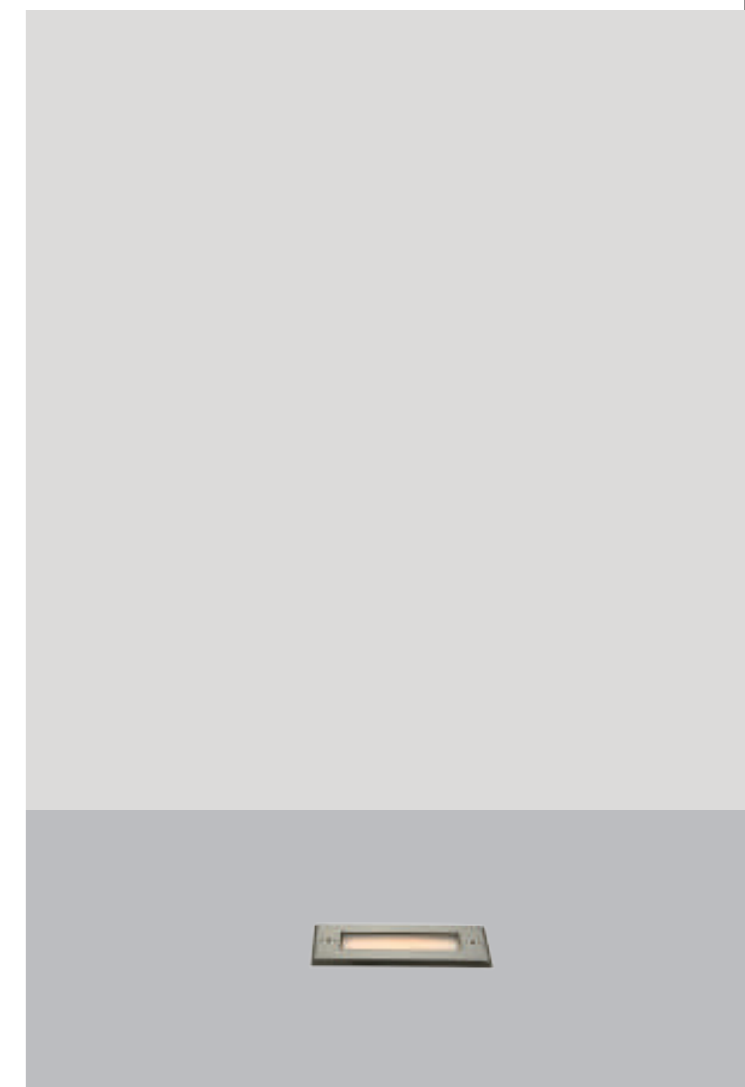
LED : SMD LED
XX: 01=3000K, 08=4000K, 02=6000K
04=Red, 05=Green, 06=Blue

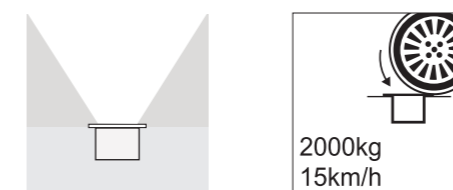
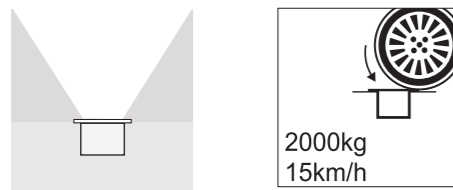
Protection Rating : IP67

Dimension



Model No.	Lamp	Power(w)	CCT(k)	Beam angle	Voltage
AVX8510.01	LED	3	3000	90°	24V.DC
AVX8510.02	LED	3	6000	90°	24V.DC
AVX8510.03	LED	3	R.G.B	90°	24V.DC





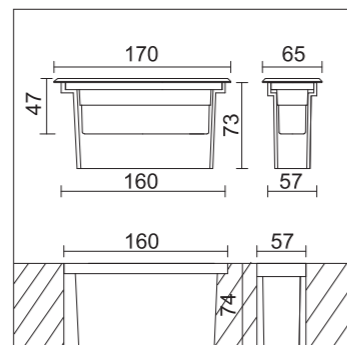
LED In-ground light

Technical Data : Die casting aluminum housing
Stainless steel front cover ring
Quality optical diffuser
High intensity tempered glass
Imported silicon rubber ring
24V.DC input
Stainless steel screws

LED : SMD LED
XX: 01=3000K, 08=4000K, 02=6000K
04=Red, 05=Green, 06=Blue

Protection Rating : IP67

Dimension



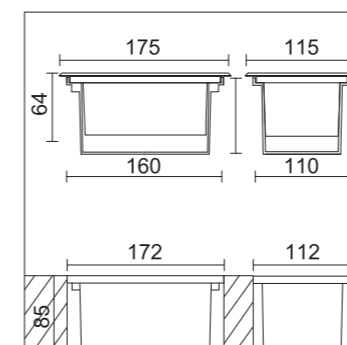
LED In-ground light

Technical Data : Die casting aluminum housing
Stainless steel front cover ring
Quality optical diffuser
High intensity tempered glass
Imported silicon rubber ring
24V.DC input
Stainless steel screws

LED : SMD LED
XX: 01=3000K, 08=4000K, 02=6000K
04=Red, 05=Green, 06=Blue

Protection Rating : IP67

Dimension



Model No.	Lamp	Power(w)	CCT(k)	Beam angle	Voltage
AVX8520.01	LED	4	3000	100°	24V.DC
AVX8520.02	LED	4	6000	100°	24V.DC
AVX8520.03	LED	4	R.G.B	100°	24V.DC



Model No.	Lamp	Power(w)	CCT(k)	Beam angle	Voltage
AVX8530.01	LED	6	3000	110°	24V.DC
AVX8530.02	LED	6	6000	110°	24V.DC
AVX8530.03	LED	6	R.G.B	110°	24V.DC

LED Rimless linear In-ground light Metro NF

Metro NF is a latest linear in-ground range with obvious advantages-Rimless. The public will be surely appealed at night. High brightness SMD LED, stable and saturate.

Extruded shallow aluminum housing and recessed can, load rolling of car. Complete enclosed and waterproof structure. IP68 makes it applicable to wet and underwater environment.

Light and light will be connected like continuous straight line without dark gap. Controlled by DMX512 system. Various effects and images will appear to designers.

Metro NF can be dimmed by setting different program and various images will come up.

Easily installation and convenient connection. The hard pre-installation can will ensure a correct installation location.

Metro NF is widely applied in Square or stairs.



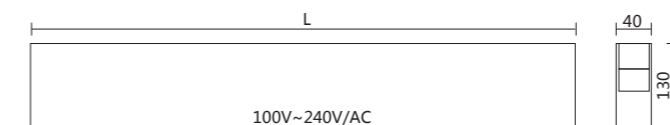
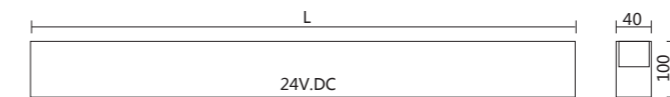
LED Rimless linear In-ground light

Technical Data : Extruded aluminum housing
Quality optical PMMA diffuser
Imported silicon rubber ring
100-240V.AC and 24V.DC input are both available

LED : SMD LED
XX: 01=3000K, 08=4000K, 02=6000K, 03=R.G.B,
04=Red, 05=Green, 06=Blue, 07=Amber

Protection Rating : IP67

Model No.	Lamp	Power(w)	CCT(k)	Beam angle	Voltage	L(mm)
AVX8578.01	LED	3	3000	110°	24V.DC	260
AVX8578.02	LED	3	6000	110°	24V.DC	260
AVX8579.01	LED	7	3000	110°	24V.DC	507
AVX8579.02	LED	7	6000	110°	24V.DC	507
AVX8581.01	LED	12	3000	110°	24V.DC	1000
AVX8581.02	LED	12	6000	110°	24V.DC	1000
AVX8582.01	LED	5	3000	110°	100V~240V	260
AVX8582.02	LED	5	6000	110°	100V~240V	260
AVX8583.01	LED	10	3000	110°	100V~240V	507
AVX8583.02	LED	10	6000	110°	100V~240V	507
AVX8584.01	LED	15	3000	110°	100V~240V	1000
AVX8584.02	LED	15	6000	110°	100V~240V	1000



LED Rimless linear In-ground light Metro NF

AVX8575.XX 4.5W, AVX8576.XX 8W, AVX8577.XX 15W

Metro NF is a latest linear in-ground range with obvious advantages-Rimless. The public will be surely appealed to at night. High brightness SMD LED, stable and saturate.
 Stainless steel housing and recessed can, load rolling of car. Complete enclosed and waterproof structure. IP68 makes it applicable to wet and underwater environment.
 Light and light will be connected like continuous straight line without dark gap. Controlled by DMX512 system. Various effects and images will appear to designers.
 Metro NF can be dimmed by setting different program and various images will come up.
 Easily installation and convenient connection. The hard pre-installation can will ensure a correct installation location.
 Metro NF is widely applied in Square or stairs.

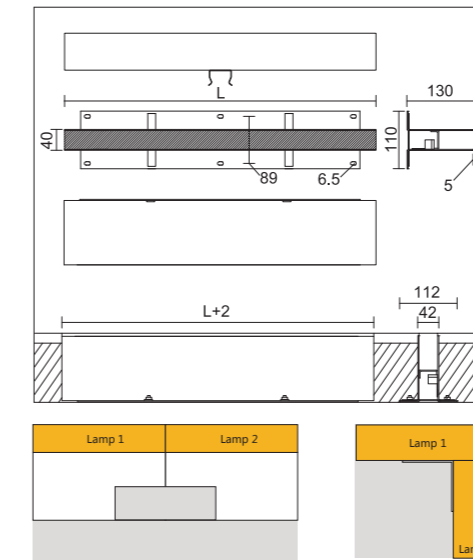


LED Rimless linear in-ground light

Technical Data : Stainless steel housing and recessed can
 Customized and quality glue
 Super hardness glue diffuser
 24V.DC Input, safety and reliability
 Straight connection or right angle connection are both capable.

LED : SMD LED
 XX: 01=3000K, 08=4000K, 02=6000K,
 04=Red, 05=Green, 06=Blue, 07=Amber

Protection Rating : IP68...5m



Model No.	Lamp	Power(w)	CCT(k)	Beam angle	Voltage	L(mm)
AVX8575.01	LED	4.5	3000	110°	24V.DC	302
AVX8575.02	LED	4.5	6000	110°	24V.DC	302
AVX8575.03	LED	4.5	R.G.B	110°	24V.DC	302
AVX8576.01	LED	8	3000	110°	24V.DC	590
AVX8576.02	LED	8	6000	110°	24V.DC	590
AVX8576.03	LED	8	R.G.B	110°	24V.DC	590
AVX8577.01	LED	15	3000	110°	24V.DC	1000
AVX8577.02	LED	15	6000	110°	24V.DC	1000
AVX8577.03	LED	15	R.G.B	110°	24V.DC	1000



LED Linear in-ground light Metro FH

AVX8531.XX 14w, AVX8533.XX 30w, AVX8535.XX 45w, AVX8585.XX 45w

Metro FH is a linear in-ground range made of stainless steel rim and die casting aluminum housing, completed with Cree high power 1W LED and brand driver. High brightness and efficiency. R.G.B is also available and lots of different images will be represented controlled by DMX512.

IP67 allows Metro FH widely applied outdoor.

Optimized structure of heat dissipation makes LED and driver operate in a stable temperature range, provides strong guarantee for longer lifetime and less maintenance. Corrosion resistant and polished stainless steel rim.

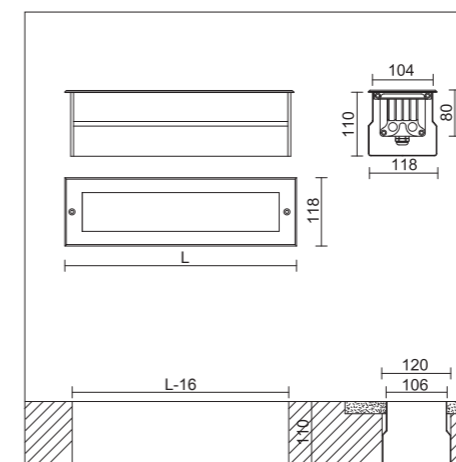


LED Linear in-ground Light

Technical Data : Die casting aluminum end caps, extruded aluminum housing and heat sink.
Precise optical lens and lighting distribution
Optional Lighting beam angles : 5°, 15°, 25°, 45°, 60°, 15°x50°, 10°x60°
Imported silicon rubber ring, High intensity tempered glass
Stainless steel screws and rim
Triac dimming and 0-10V dimming are available

LED: AVX8531.XX: High Power LED 1w x12
AVX8533.XX: High Power LED 1w x24
AVX8535.XX: High Power LED 1w x36
AVX8585.XX: High Power LED 1w x48
XX: 01=3000K, 08=4000K, 02=6000K,
03=R.G.B, 04=Red, 05=Green, 06=Blue

Protection Rating : IP67



Model No.	Lamp	Power(w)	CCT(k)	Beam angle	Voltage	L(mm)
AVX8531.01	LED	14	3000	15°x50°	100V~240V	330
AVX8531.02	LED	14	6000	15°x50°	100V~240V	330
AVX8531.03	LED	14	R.G.B	15°x50°	100V~240V	330
AVX8533.01	LED	30	3000	15°x50°	100V~240V	560
AVX8533.02	LED	30	6000	15°x50°	100V~240V	560
AVX8533.03	LED	30	R.G.B	15°x50°	100V~240V	560
AVX8535.01	LED	45	3000	15°x50°	100V~240V	560
AVX8535.02	LED	45	6000	15°x50°	100V~240V	560
AVX8535.03	LED	45	R.G.B	15°x50°	100V~240V	560
AVX8585.01	LED	60	3000	15°x50°	100V~240V	1000
AVX8585.02	LED	60	6000	15°x50°	100V~240V	1000
AVX8585.03	LED	60	R.G.B	15°x50°	100V~240V	1000



LED Linear in-ground light Metro FS

AVX8540.XX 10W, AVX8550.XX 20W, AVX8560.XX 30W

Metro FS is a linear in-ground range made of stainless steel rim and die casting aluminum housing, completed with SMD LED and brand driver. High brightness and efficiency. R.G.B is also available and lots of different images will be represented controlled by DMX512.

IP67 allows Metro FS widely applied outdoor.

Optimized structure of heat dissipation makes LED and driver operate in a stable temperature range, provides strong guarantee for longer lifetime and less maintenance. Corrosion resistant and polished stainless steel rim.

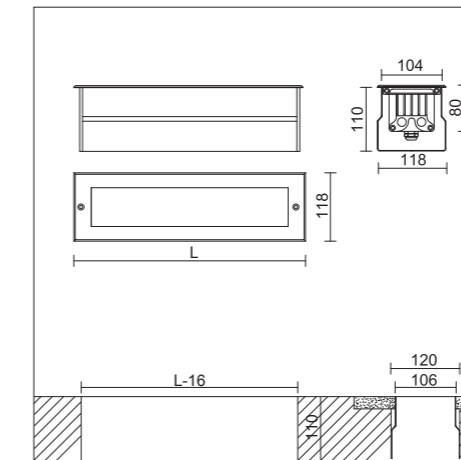


LED Linear in-ground light

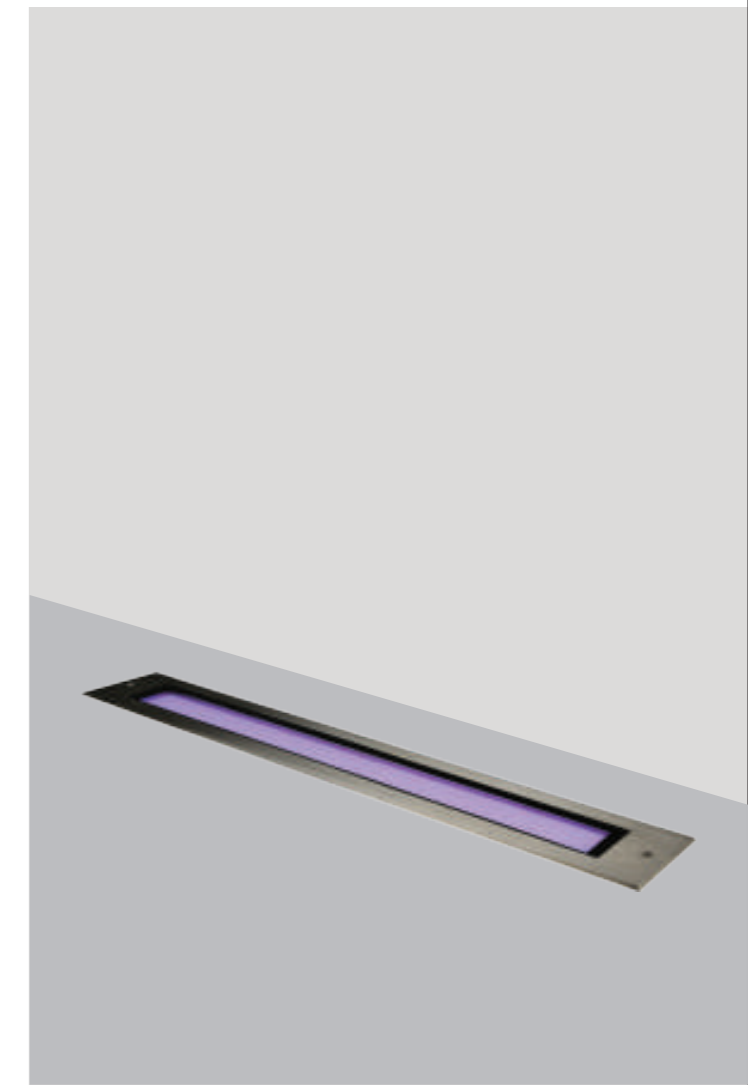
Technical Data : Die casting aluminum end caps, extruded aluminum housing and heat sink
Quality acrylic diffuser
Imported silicon rubber ring
High intensity tempered glass
Stainless steel screws and rim
Triac dimming and 0-10V dimming are available

LED: AVX8540.XX: SMD LED x36; AVX8550.XX: SMD LED x72, AVX8560.XX: SMD LED x108
XX: 01=3000K, 08=4000K, 02=6000K, 03=R.G.B
04=Red, 05=Green, 06=Blue, 07=Amber

Protection Rating : IP67



Model No.	Lamp	Power(w)	CCT(k)	Beam angle	Voltage	L(mm)
AVX8540.01	LED	10	3000	97°	100V~240V	400
AVX8540.02	LED	10	6000	97°	100V~240V	400
AVX8540.03	LED	10	R.G.B	97°	100V~240V	400
AVX8550.01	LED	20	3000	97°	100V~240V	700
AVX8550.02	LED	20	6000	97°	100V~240V	700
AVX8550.03	LED	20	R.G.B	97°	100V~240V	700
AVX8560.01	LED	30	3000	97°	100V~240V	1000
AVX8560.02	LED	30	6000	97°	100V~240V	1000
AVX8560.03	LED	30	R.G.B	97°	100V~240V	1000



LED Linear in-ground light Metro SH

AVX8537.XX 18W, AVX8542.XX 28W, AVX8555.XX 40W

Metro SH is a linear in-ground range made of stainless steel rim and die casting aluminum housing, completed with Cree high power 1W LED and brand driver. High brightness and efficiency. R.G.B is also available and lots of different images will be represented controlled by DMX512.

IP67 allows Metro SH widely applied outdoor.

Optimized structure of heat dissipation makes LED and driver operate in a stable temperature range, provides strong guarantee for longer lifetime and less maintenance. Corrosion resistant and polished stainless steel rim.

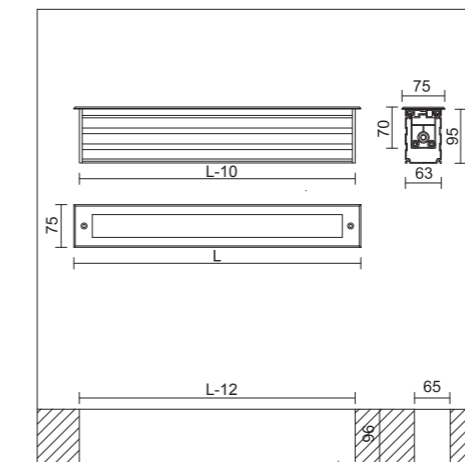


LED Linear in-ground light

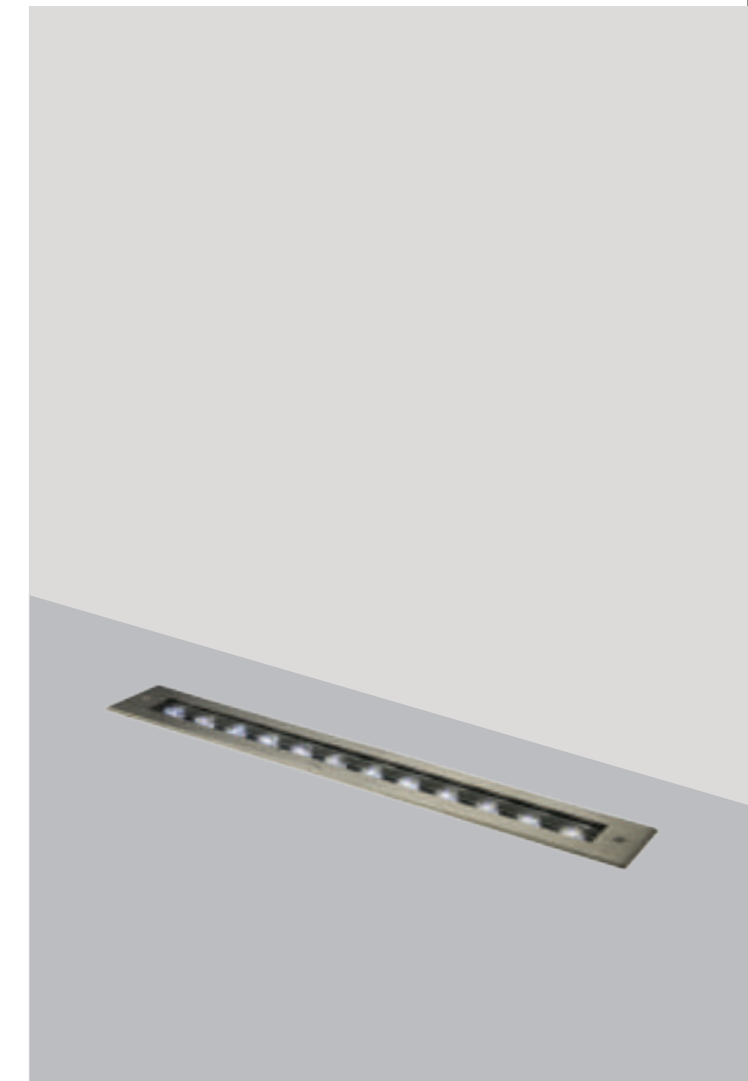
Technical Data : Die casting aluminum end caps, extruded aluminum housing and heat sink.
 Precise optical lens and lighting distribution
 Optional Lighting beam angles : 5° , 15° , 25° , 45° , 60° , 15°x50° , 10°x60°
 Imported silicon rubber ring, High intensity tempered glass
 Stainless steel screws and rim
 Triac dimming and 0-10V dimming are available

LED: AVX8537.XX: High Power LED 1w x12
 AVX8542.XX: High Power LED 1w x24
 AVX8555.XX: High Power LED 1w x36
 XX: 01=3000K, 08=4000K, 02=6000K, 03=R.G.B
 04=Red, 05=Green, 06=Blue, 07=Amber

Protection Rating : IP67



Model No.	lamp	Luminous Flux (lm)	Power(w)	CCT(k)	Beam angle	Voltage	L(mm)
AVX8537.01	LED	1500	18	3000	15°x50°	100V~240V	505
AVX8537.02	LED	1704	18	6000	15°x50°	100V~240V	505
AVX8542.01	LED	3000	28	3000	15°x50°	100V~240V	930
AVX8542.02	LED	3408	28	6000	15°x50°	100V~240V	930
AVX8555.01	LED	4500	40	3000	15°x50°	100V~240V	930
AVX8555.02	LED	5112	40	6000	15°x50°	100V~240V	930



LED Linear in-ground light Metro NS

AVX8544.XX 7W, AVX8546.XX 13W

Metro NS is a linear in-ground range made of stainless steel rim and die casting aluminum housing, completed with SMD LED and brand driver. High brightness and efficiency. R.G.B is also available and lots of different images will be represented controlled by DMX512.

IP67 allows Metro NS widely applied outdoor.

Optimized structure of heat dissipation makes LED and driver operate in a stable temperature range, provides strong guarantee for longer lifetime and less maintenance. Corrosion resistant and polished stainless steel rim.

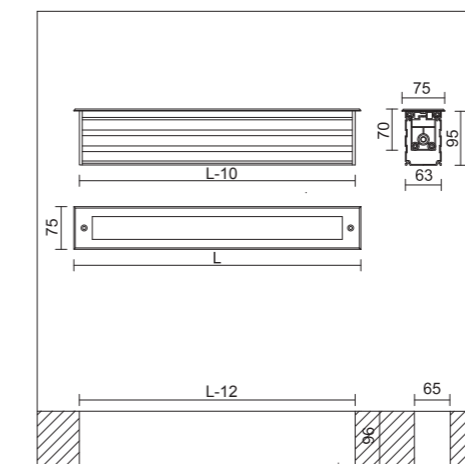


LED Linear in-ground light

Technical Data : Die casting aluminum end caps, extruded aluminum housing and heat sink
 Quality acrylic diffuser
 Imported silicon rubber ring, High intensity tempered glass
 Stainless steel screws and rim
 Triac dimming and 0-10V dimming are available

LED: AVX8544.XX: SMD LED x24
 AVX8546.XX: SMD LED x48
 XX: 01=3000K, 08=4000K, 02=6000K,
 03=R.G.B, 04=Red , 05=Green , 06=Blue , 07=Amber

Protection Rating : IP67



Model No.	Lamp	Luminous Flux (lm)	Power(w)	CCT(k)	Beam angle	Voltage	L(mm)
AVX8544.01	LED	288	7	3000	97°	100V~240V	505
AVX8544.02	LED	360	7	6000	97°	100V~240V	505
AVX8544.03	LED	274	7	R.G.B	97°	24V.DC	505
AVX8546.01	LED	576	13	3000	97°	100V~240V	930
AVX8546.02	LED	720	13	6000	97°	100V~240V	930
AVX8546.03	LED	548	13	R.G.B	97°	24V.DC	930



LED Linear in-ground light Metro EA

AVX8570.XX 5W, AVX8580.XX 10W, AVX8590.XX 17W

Entirely made of aluminum materials, anodized surface process and AkzoNobel powder electrostatic painting for better corrosion resistant.
 Die casting aluminum end caps and recessed can. High brightness and long lifetime SMD LED. IP67. Applicable to outdoor in-ground using.
 Out built power supply makes it can be powered with line voltage directly. Easily installation.

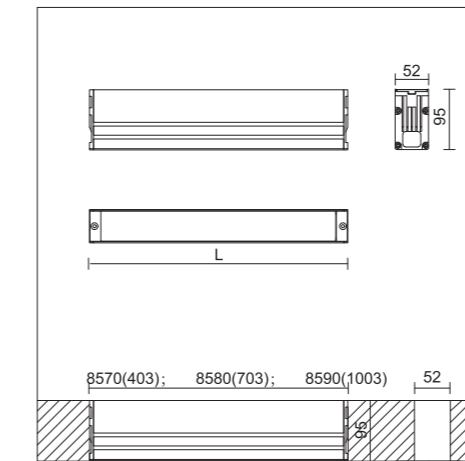


LED Linear in-ground light

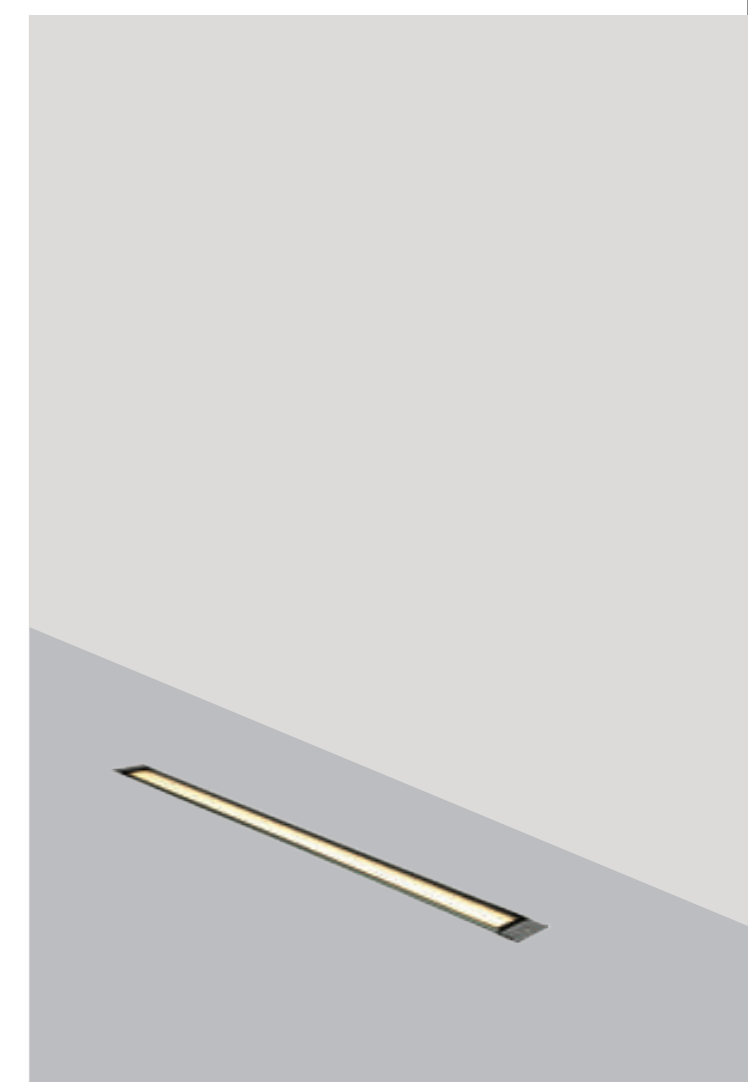
Technical Data : Die casting aluminum end caps, extruded aluminum housing and heat sink
 Quality acrylic diffuser
 Imported silicon rubber ring, High intensity tempered glass
 Stainless steel screws and rim
 Triac dimming and 0-10V dimming are available

LED: AVX8570.XX: SMD LED x18
 AVX8580.XX: SMD LED x36
 AVX8590.XX: SMD LED x54
 XX: 01=3000K, 08=4000K, 02=6000K,
 03=R.G.B, 04=Red, 05=Green, 06=Blue, 07=Amber

Protection Rating : IP67



Model No.	Lamp	Luminous Flux (lm)	Power(w)	CCT(k)	Beam angle	Voltage	L(mm)
AVX8570.01	LED	230	5	3000	97°	100V~240V	400
AVX8570.02	LED	360	5	6000	97°	100V~240V	400
AVX8570.03	LED	218	5	R.G.B	97°	24V.DC	400
AVX8580.01	LED	456	10	3000	97°	100V~240V	700
AVX8580.02	LED	540	10	6000	97°	100V~240V	700
AVX8580.03	LED	436	10	R.G.B	97°	24V.DC	700
AVX8590.01	LED	688	17	3000	97°	100V~240V	1000
AVX8590.02	LED	810	17	6000	97°	100V~240V	1000
AVX8590.03	LED	654	17	R.G.B	97°	24V.DC	1000

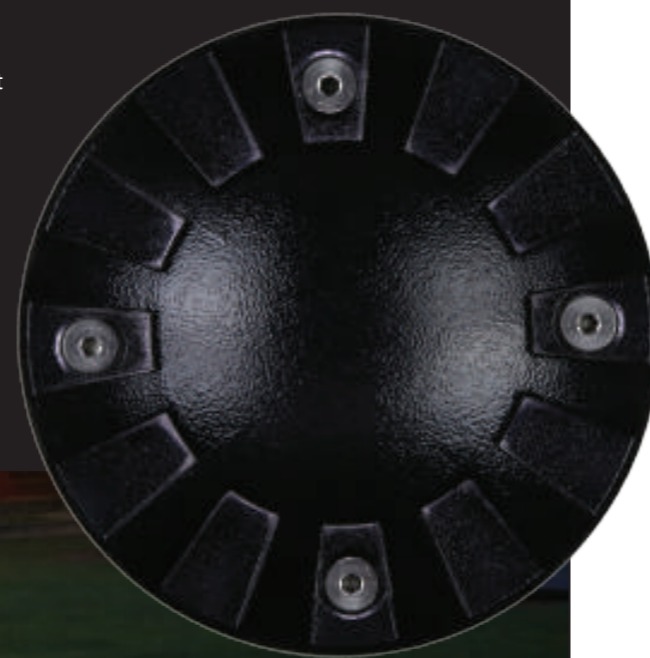


LED Driveway light Rock

AVX8035.XX 4W, AVX8036.XX 4W, AVX8037.XX 4W

Rock is widely applied in sides of driveway for direction purpose. Lighting comes out from sides of light and people's eyes will be protected from glare. COB LED. High efficiency and long lifetime. It's the best option to light on driveway or roads

This range comes with aluminum front cover with 500kgs max loading.



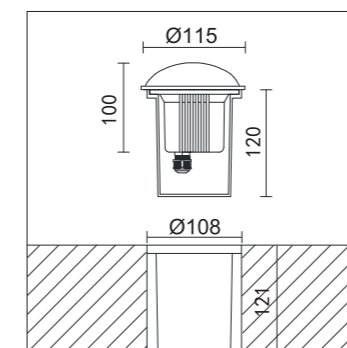
LED Driveway light

Technical Data : Die casting aluminum housing
Die casting aluminum front cover ring
Quality optical PC diffuser
Imported silicon rubber ring
In built constant current driver
Stainless steel screws

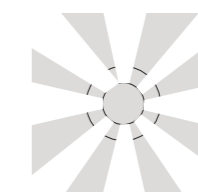
LED : COB LED
XX: 01=3000K, 08=4000K, 02=5000K

Protection Rating : IP67

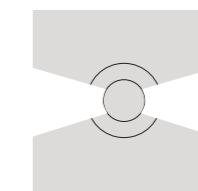
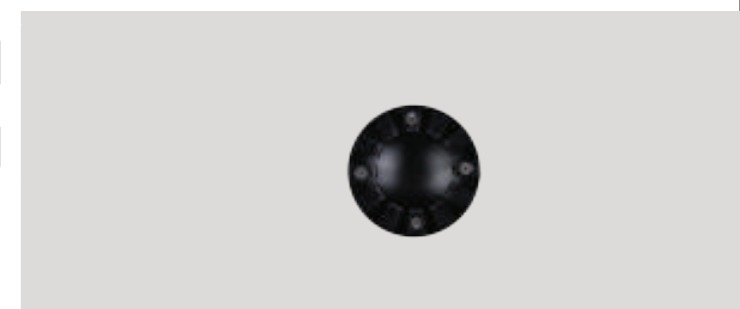
Dimension



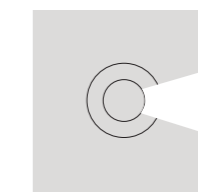
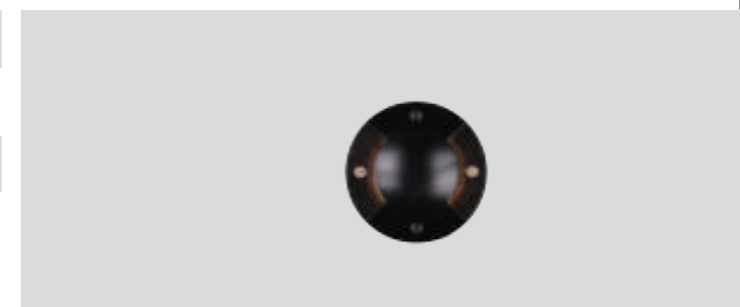
Model No.	Lamp	Power(w)	CCT(k)	Voltage
AVX8035.01	LED	4	3000	100V~240V
AVX8035.02	LED	4	5000	100V~240V
AVX8036.01	LED	4	3000	100V~240V
AVX8036.02	LED	4	5000	100V~240V
AVX8037.01	LED	4	3000	100V~240V
AVX8037.02	LED	4	5000	100V~240V



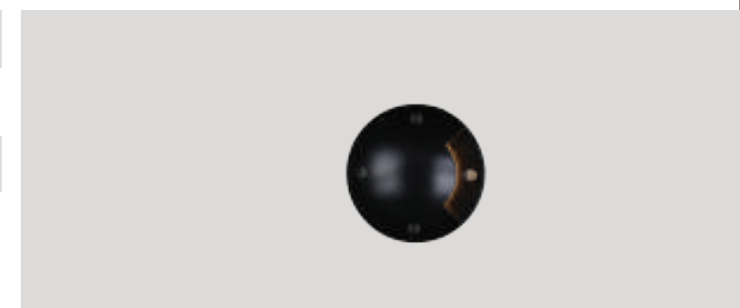
AVX8035.XX



AVX8036.XX



AVX8037.XX



LED Driveway light Rock

AVX8129.XX 11W, AVX8130.XX 11W, AVX8131.XX 11W

Rock is widely applied in sides of driveway for direction purpose. Lighting comes out from sides of light and people's eyes will be protected from glare. COB LED. High efficiency and long lifetime. It's the best option to light on driveway or roads

This range comes with aluminum front cover with 500kgs max loading.

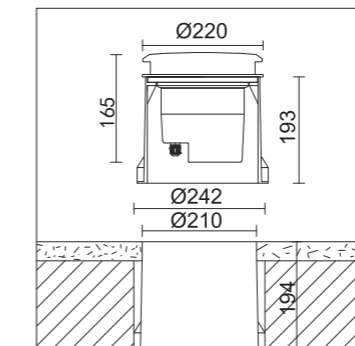


LED Driveway light

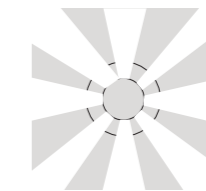
Technical Data : Die casting aluminum housing
Die casting aluminum front cover ring
Quality optical PC diffuser
Imported silicon rubber ring
In built constant current driver
Stainless steel screws

LED : COB LED
XX: 01=3000K, 08=4000K, 02=5000K

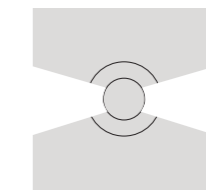
Dimension



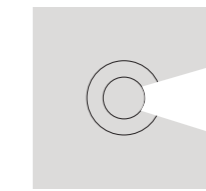
Model No.	Lamp	Power(w)	CCT(k)	Voltage
AVX8129.01	LED	11	3000	100V~240V
AVX8129.02	LED	11	5000	100V~240V
AVX8130.01	LED	11	3000	100V~240V
AVX8130.02	LED	11	5000	100V~240V
AVX8131.01	LED	11	3000	100V~240V
AVX8131.02	LED	11	5000	100V~240V



AVX8129.XX



AVX8130.XX



AVX8131.XX



LED Driveway light Rock

AVX8179.XX 4W, AVX8110.XX 4W, AVX8111.XX 4W

Rock is widely applied in sides of driveway for direction purpose. Lighting comes out from sides of light and people's eyes will be protected from glare. COB LED. High efficiency and long lifetime. It's the best option to light on driveway or roads

This range comes with casting stainless steel front cover with 3000kgs max loading.



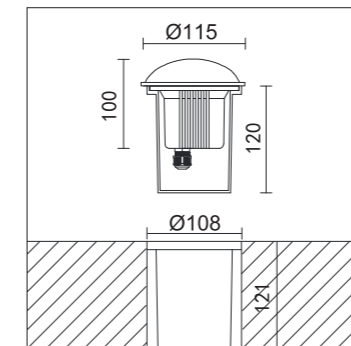
LED Driveway light

Technical Data : Die casting aluminum housing
Casting stainless steel front cover ring
Quality optical PC diffuser
Imported silicon rubber ring
In built constant current driver
Stainless steel screws

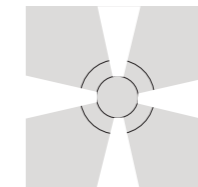
LED : COB LED
XX: 01=3000K, 08=4000K, 02=5000K

Protection Rating : IP67

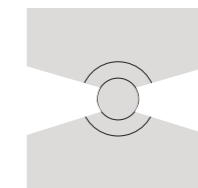
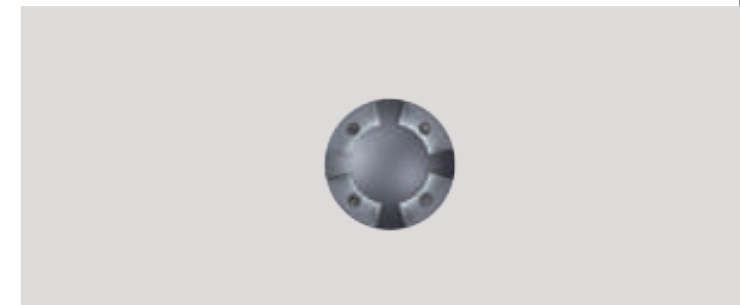
Dimension



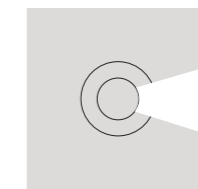
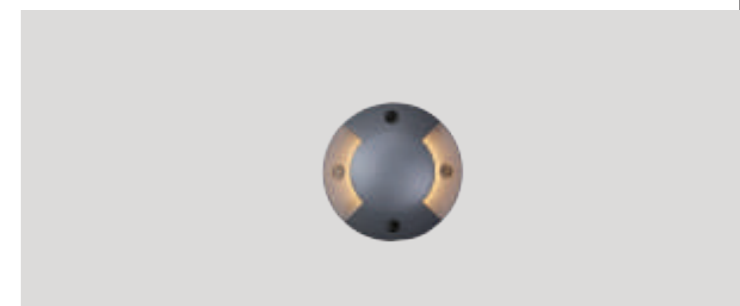
Model No.	Lamp	Power(w)	CCT(k)	Voltage
AVX8179.01	LED	4	3000	100V~240V
AVX8179.02	LED	4	5000	100V~240V
AVX8110.01	LED	4	3000	100V~240V
AVX8110.02	LED	4	5000	100V~240V
AVX8111.01	LED	4	3000	100V~240V
AVX8111.02	LED	4	5000	100V~240V



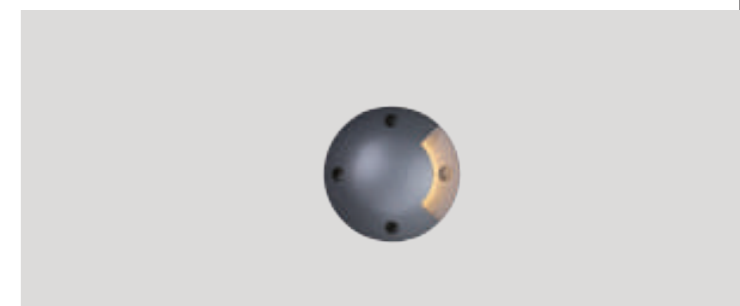
AVX8179.XX



AVX8110.XX



AVX8111.XX





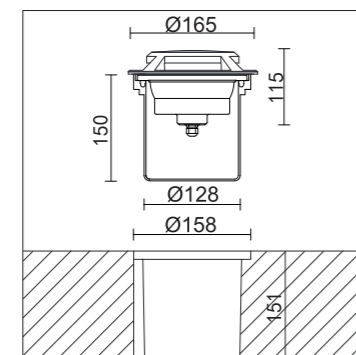
LED Driveway light

Technical Data : Casting stainless steel housing
Casting stainless steel front cover ring
High intensity tempered glass
Imported silicon rubber ring
In built constant current driver
Stainless steel screws

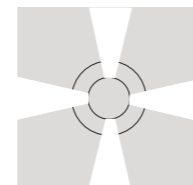
LED : COB LED
XX: 01=3000K, 08=4000K, 02=5000K

Protection Rating : IP67

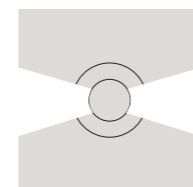
Dimension



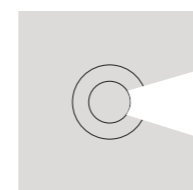
Model No.	Lamp	Power(w)	CCT(k)	Voltage
AVX8122.01	LED	6	3000	100V~240V
AVX8122.02	LED	6	6000	100V~240V
AVX8123.01	LED	6	3000	100V~240V
AVX8123.02	LED	6	6000	100V~240V
AVX8124.01	LED	6	3000	100V~240V
AVX8124.02	LED	6	6000	100V~240V



AVX8122.XX



AVX8123.XX



AVX8124.XX

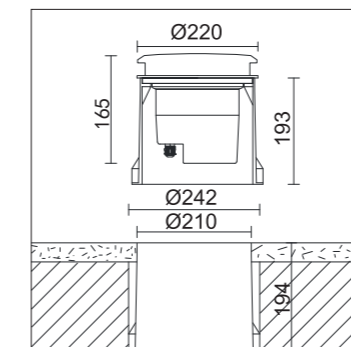
LED Driveway light

Technical Data : Casting stainless steel housing
Casting stainless steel front cover ring
High intensity tempered glass
Imported silicon rubber ring
In built constant current driver
Stainless steel screws

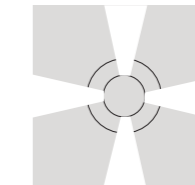
LED : COB LED
XX: 01=3000K, 08=4000K, 02=5000K

Protection Rating : IP67

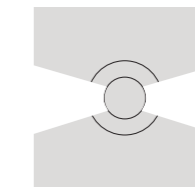
Dimension



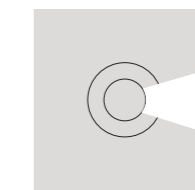
Model No.	Lamp	Power(w)	CCT(k)	Voltage
AVX8125.01	LED	11	3000	100V~240V
AVX8125.02	LED	11	5000	100V~240V
AVX8127.01	LED	11	3000	100V~240V
AVX8127.02	LED	11	5000	100V~240V
AVX8128.01	LED	11	3000	100V~240V
AVX8128.02	LED	11	5000	100V~240V



AVX8125.XX



AVX8127.XX



AVX8128.XX





Underwater light IP68

LED Underwater spotlight Conch DB

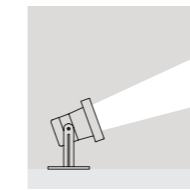
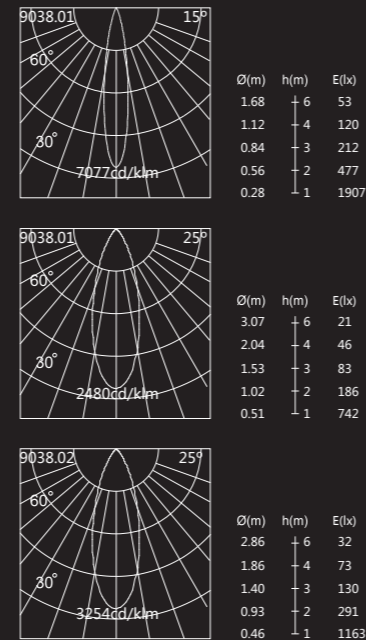
AVX9038.XX 3W, AVX9039.XX 5W

Conch DB is consisted of precisely molding 316 stainless steel housing and mounting bracket, the max installation depth underwater is 5M .

High IP rating is required for underwater application. Product won't float for the weight and consistency of stainless steel. High Thickness waterproof housing. Latest and brand LED chip. High brightness and durability ensure lower maintenance and longer lifetime .

No ultraviolet radiation or infrared ray make Conch DB environmental and comfortable.

DMX512 digital control system makes lighting and color of water concordant and gives soul to the view at night.



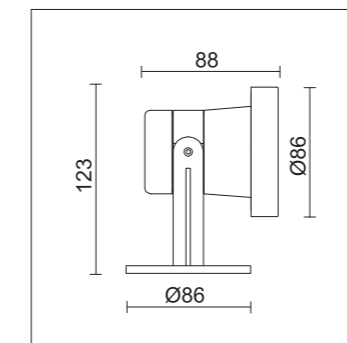
LED Underwater spotlight

Technical Data : 316 Stainless steel housing and cover ring
 Precise optical lens and lighting distribution
 Optional Lighting beam angles : 5° , 15° , 25° , 38° , 45° , 60°
 Imported silicon rubber ring
 High intensity tempered glass
 Integrated driver, 12V.DC /24V.DC
 Adjustable Stainless steel mounting bracket

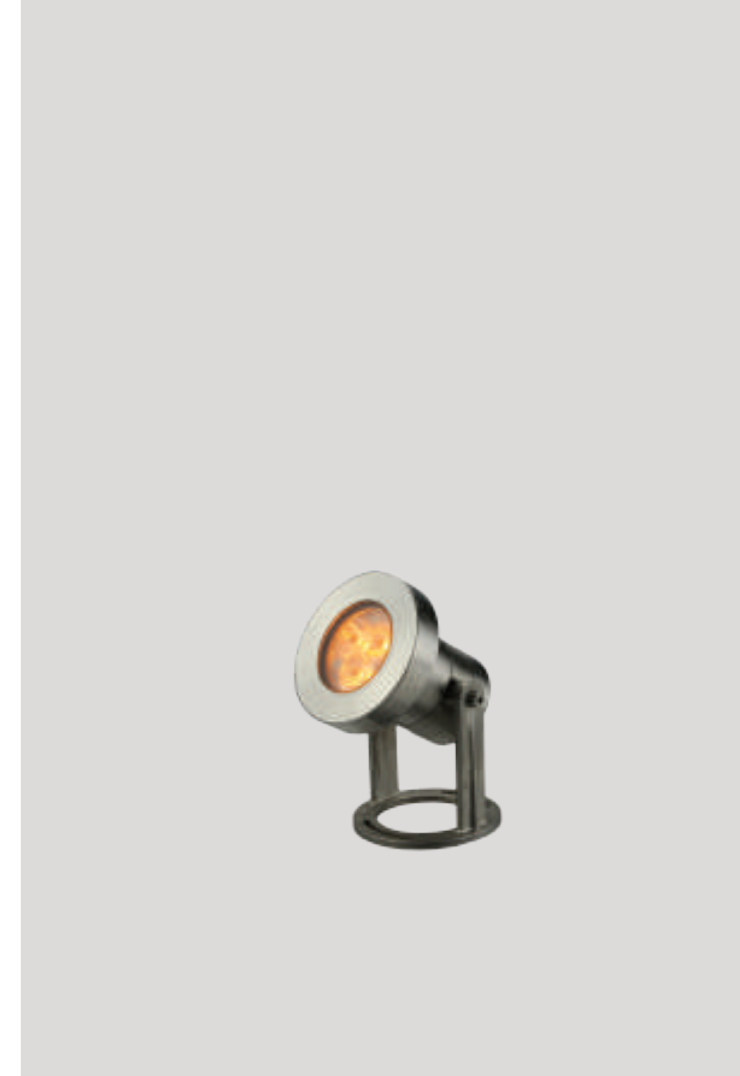
LED : High Power LED
 AVX9038.XX: 1w x3 350mA
 AVX9039.XX、AVX9038.03: 1.5w x3 500mA
 XX: 01=3000K, 08=4000K, 02=6000K, 03=R.G.B
 04=Red, 05=Green, 06=Blue, 07=Amber

Protection Rating : IP68...5m

Dimension



Model No.	Lamp	Luminous Flux(lm)	Power(w)	CCT(k)	Beam angle	Voltage
AVX9038.01	LED	375	3	3000	25°	12V.DC/24V.DC
AVX9038.02	LED	426	3	6000	25°	12V.DC/24V.DC
AVX9038.03	LED	470	5	R.G.B	25°	24V.DC
AVX9039.01	LED	489	5	3000	25°	12V.DC/24V.DC
AVX9039.02	LED	567	5	6000	25°	12V.DC/24V.DC



LED Underwater spotlight Conch DB

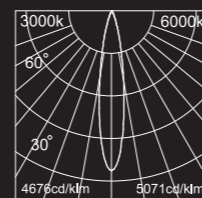
AVX9042.XX 8W, AVX9043.XX 11W

Conch DB is consisted of precisely molding 316 stainless steel housing and mounting bracket, the max installation depth underwater is 5M .

High IP rating is required for underwater application. Product won't float for the weight and consistency of stainless steel. High Thickness waterproof housing. Latest and brand LED chip. High brightness and durability ensure lower maintenance and longer lifetime .

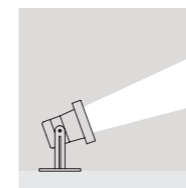
No ultraviolet radiation or infrared ray make Conch DB environmental and comfortable.

DMX512 digital control system makes lighting and color of water concordant and gives soul to the view at night.



1w*6 LENS 25°

Ø(m)	h(m)	E(k) 6000k	E(k) 3000k
1.66	6	46	36
1.11	4	105	80
0.83	3	186	142
0.62	2	418	320
0.27	1	1675	1278



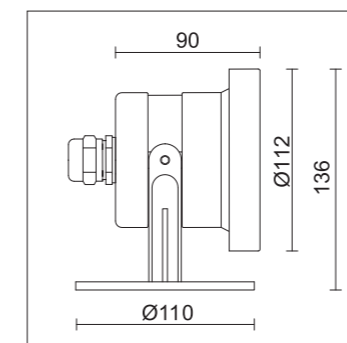
LED Underwater spotlight

Technical Data : 316 Stainless steel housing and cover ring
 Precise optical lens and lighting distribution
 Optional Lighting beam angles : 5° , 15° , 25° , 38° , 45° , 60°
 Imported silicon rubber ring
 High intensity tempered glass
 Integrated driver, 12V.DC/24V.DC
 Adjustable Stainless steel mounting bracket

LED : High Power LED
 AVX9042.XX: 1w x6 350mA
 AVX9043.XX、AVX9042.03: 1.5w x6 500mA
 XX: 01=3000K, 08=4000K, 02=6000K, 03=R.G.B
 04=Red, 05=Green, 06=Blue, 07=Amber

Protection Rating : IP68...5m

Dimension



Model No.	Lamp	Luminous Flux(lm)	Power(w)	CCT(k)	Beam angle	Voltage
AVX9042.01	LED	750	8	3000	25°	12V.DC/24V.DC
AVX9042.02	LED	852	8	6000	25°	12V.DC/24V.DC
AVX9042.03	LED	950	11	R.G.B	25°	24V.DC
AVX9043.01	LED	996	11	3000	25°	12V.DC/24V.DC
AVX9043.02	LED	1134	11	6000	25°	12V.DC/24V.DC



LED Underwater spotlight Conch DB

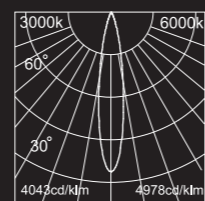
AVX9046.XX 12W, AVX9047.XX 16W

Conch DB is consisted of precisely molding 316 stainless steel housing and mounting bracket, the max installation depth underwater is 5M .

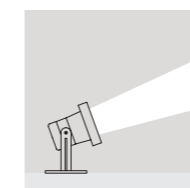
High IP rating is required for underwater application. Product won't float for the weight and consistency of stainless steel. High Thickness waterproof housing. Latest and brand LED chip. High brightness and durability ensure lower maintenance and longer lifetime .

No ultraviolet radiation or infrared ray make Conch DB environmental and comfortable.

DMX512 digital control system makes lighting and color of water concordant and gives soul to the view at night.



Ø(m)	h(m)	E lx 6000k	E lx 3000k
1.88	6	69	48
1.25	4	155	107
0.93	3	276	190
0.62	2	620	428
0.32	1	2478	1709



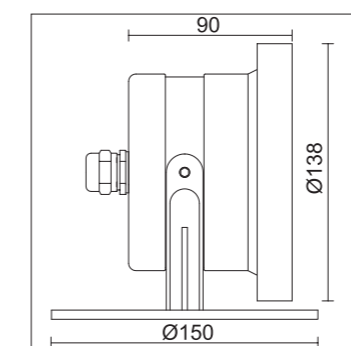
LED Underwater spotlight

Technical Data : 316 Stainless steel housing and cover ring
 Precise optical lens and lighting distribution
 Optional Lighting beam angles : 5° , 15° , 25° , 38° , 45° , 60°
 Imported silicon rubber ring
 High intensity tempered glass
 Integrated driver, 12V.DC/24V.DC
 Adjustable Stainless steel mounting bracket

LED : High Power LED
 AVX9046.XX: 1w x9 350mA
 AVX9047.XX: 1.5w x9 500mA
 XX: 01=3000K, 08=4000K, 02=6000K, 03=R.G.B
 04=Red, 05=Green, 06=Blue , 07=Amber

Protection Rating : IP68...5m

Dimension



Model No.	Lamp	Luminous Flux(lm)	Power(w)	CCT(k)	Beam angle	Voltage
AVX9046.01	LED	1125	12	3000	25°	12V.DC/24V.DC
AVX9046.02	LED	1278	12	6000	25°	12V.DC/24V.DC
AVX9046.03	LED	1205	16	R.G.B	25°	24V.DC
AVX9047.01	LED	1494	16	3000	25°	12V.DC/24V.DC
AVX9047.02	LED	1701	16	6000	25°	12V.DC/24V.DC



LED Underwater spotlight Conch DB

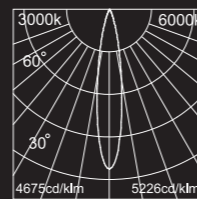
AVX9050.XX 23W, AVX9051.XX 30W

Conch DB is consisted of precisely molding 316 stainless steel housing and mounting bracket, the max installation depth underwater is 5M .

High IP rating is required for underwater application. Product won't float for the weight and consistency of stainless steel. High Thickness waterproof housing. Latest and brand LED chip. High brightness and durability ensure lower maintenance and longer lifetime .

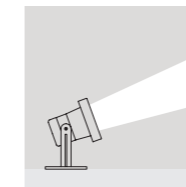
No ultraviolet radiation or infrared ray make Conch DB environmental and comfortable.

DMX512 digital control system makes lighting and color of water concordant and gives soul to the view at night.



1w*18 LENS 25°

Ø(m)	h(m)	E lx 6000k	E lx 3000k
1.87	+ 6	126	111
1.25	+ 4	284	250
0.93	+ 3	505	443
0.62	+ 2	1135	999
0.31	+ 1	4536	3993



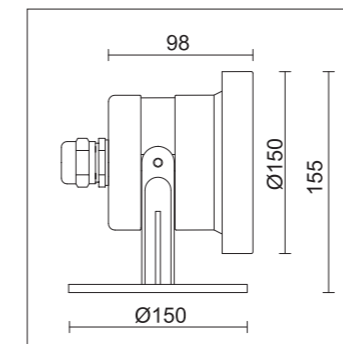
LED Underwater spotlight

Technical Data : 316 Stainless steel housing and cover ring
 Precise optical lens and lighting distribution
 Optional Lighting beam angles : 15° , 25° , 38° , 45° , 60° , 25°x35°
 Imported silicon rubber ring
 High intensity tempered glass
 Integrated driver, 12V.DC / 24V.DC
 Adjustable Stainless steel mounting bracket

LED : High Power LED
 AVX9050.XX: 1w x18 350mA
 AVX9051.XX: 1.5w x18 500mA
 XX: 01=3000K, 08=4000K, 02=6000K, 03=R.G.B
 04=Red, 05=Green, 06=Blue, 07=Amber

Protection Rating : IP68...5m

Dimension



Model No.	Lamp	Luminous Flux(lm)	Power(w)	CCT(k)	Beam angle	Voltage
AVX9050.01	LED	2250	23	3000	25°	12V.DC/24V.DC
AVX9050.02	LED	2556	23	6000	25°	12V.DC/24V.DC
AVX9050.03	LED	2410	30	R.G.B	25°	24V.DC
AVX9051.01	LED	2988	30	3000	25°	12V.DC/24V.DC
AVX9051.02	LED	3401	30	6000	25°	12V.DC/24V.DC



LED Underwater Recessed Light Conch DR

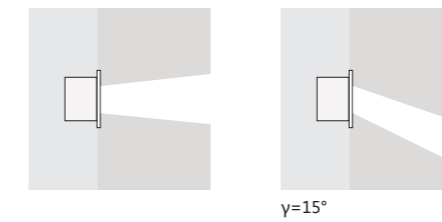
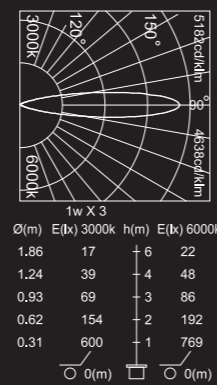
AVX9054.XX 3W, AVX9055.XX 7W

Conch DR is consisted of precisely molding 316 stainless steel housing and plastic recessed can, the max installation depth underwater is 5M .

High IP rating is required for underwater application. Product won't float for the weight and consistency of stainless steel. High Thickness waterproof housing. Latest and brand LED chip. High brightness and durability ensure lower maintenance and longer lifetime .

No ultraviolet radiation or infrared ray make Conch DR environmental and comfortable.

DMX512 digital control system makes lighting and color of water concordant and gives soul to the view at night.



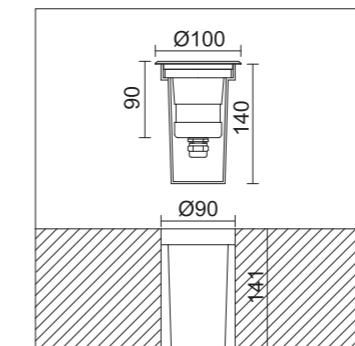
LED Underwater recessed light

Technical Data : 316 Stainless steel housing and cover ring
 Precise optical lens and lighting distribution
 Optional Lighting beam angles : 5° , 15° , 25° , 38° , 45° , 60° , γ=15°
 Imported silicon rubber ring
 High intensity tempered glass
 Integrated driver, 12V.DC /24V.DC
 Rugged, corrosion resistant PP recessed can

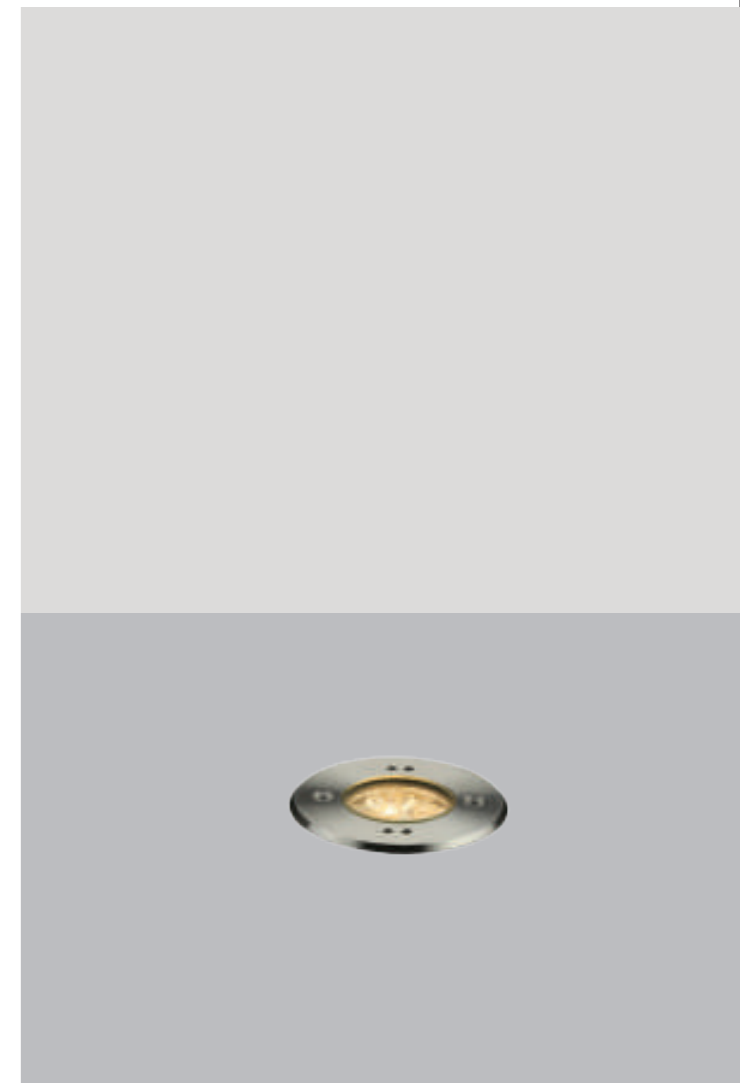
LED : High Power LED
 AVX9054.XX: 1w x3 350mA
 AVX9055.XX 、 AVX9054.03: 1.5w x3 500mA
 01=3000K, 08=4000K, 02=6000K, 03=R.G.B
 04=Red, 05=Green, 06=Blue, 07=Amber

Protection : IP68...5m

Dimension



Model No.	Lamp	Luminous Flux(lm)	Power(w)	CCT(k)	Beam angle	Voltage
AVX9054.01	LED	375	3	3000	25°	12V.DC/24V.DC
AVX9054.02	LED	426	3	6000	25°	12V.DC/24V.DC
AVX9054.03	LED	470	5	R.G.B	25°	24V.DC
AVX9055.01	LED	489	5	3000	25°	12V.DC/24V.DC
AVX9055.02	LED	567	5	6000	25°	12V.DC/24V.DC



LED Underwater Recessed Light Conch DR

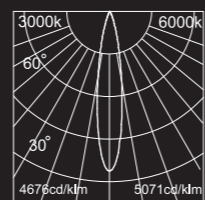
AVX9059.XX 8W, AVX9060.XX 11W

Conch DR is consisted of precisely molding stainless steel housing and plastic recessed can, the max installation depth underwater is 5M .

High IP rating is required for underwater application. Product won't float for the weight and consistency of stainless steel. High Thickness waterproof housing. Latest and brand LED chip. High brightness and durability ensure lower maintenance and longer lifetime .

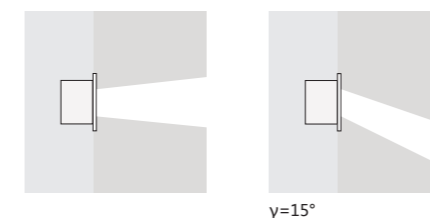
No ultraviolet radiation or infrared ray make Conch DR environmental and comfortable.

DMX512 digital control system makes lighting and color of water concordant and gives soul to the view at night.



1w*6 LENS 25°

Ø(m)	h(m)	E(lx) 6000k	E(lx) 3000k
1.66	+6	46	36
1.11	+4	105	80
0.83	+3	186	142
0.62	+2	418	320
0.27	+1	1675	1278



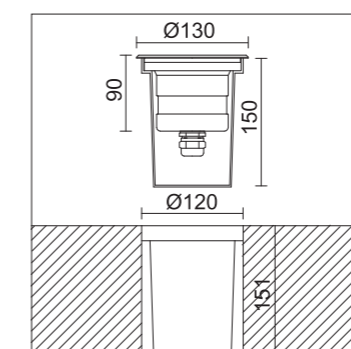
LED Underwater recessed light

Technical Data : Stainless steel housing and cover ring
 Precise optical lens and lighting distribution
 Optional Lighting beam angles : 5° , 15° , 25° , 38° , 45° , 60° , γ=15°
 Imported silicon rubber ring
 High intensity tempered glass
 Integrated driver, 12V.DC input, AVX9059.03 24V.DC
 Rugged, corrosion resistant PP recessed can

LED : High Power LED
 AVX9059.XX: 1w x6 350mA
 AVX9060.XX, AVX9059.03: 1.5w x6 500mA
 XX: 01=3000K, 08=4000K, 02=6000K, 03=R.G.B
 04=Red, 05=Green, 06=Blue, 07=Amber

Protection Rating : IP68...5m

Dimension



Model No.	Lamp	Luminous Flux(lm)	Power(w)	CCT(k)	Beam angle	Voltage
AVX9059.01	LED	375	8	3000	25°	12V.DC/24V.DC
AVX9059.02	LED	426	8	6000	25°	12V.DC/24V.DC
AVX9059.03	LED	950	11	R.G.B	25°	24V.DC
AVX9060.01	LED	996	11	3000	25°	12V.DC/24V.DC
AVX9060.02	LED	1134	11	6000	25°	12V.DC/24V.DC



LED Underwater Recessed Light Conch DR

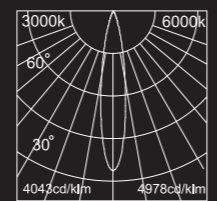
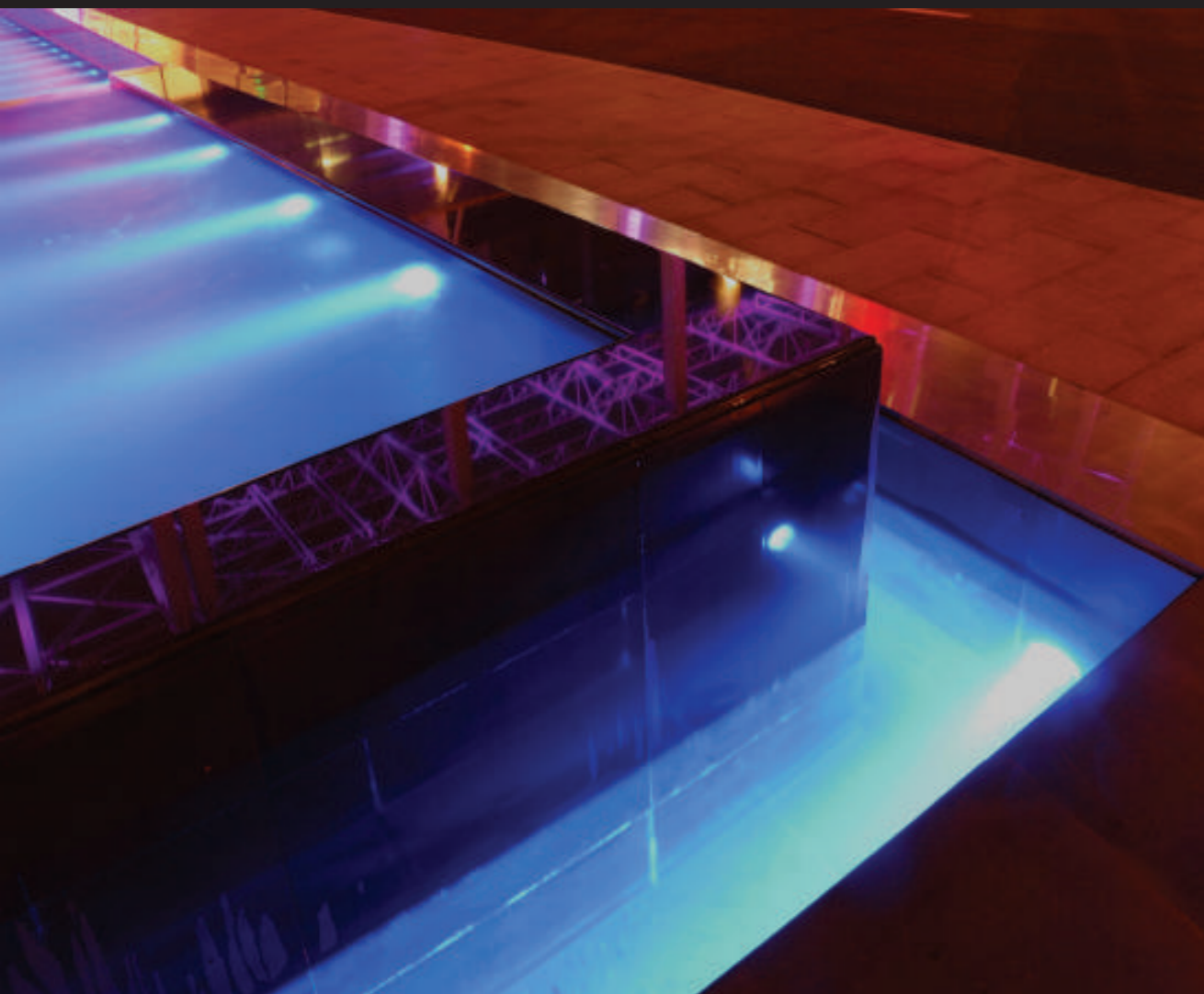
AVX9063.XX 12W, AVX9064.XX 16W

Conch DR is consisted of precisely molding 316 stainless steel housing and plastic recessed can, the max installation depth underwater is 5M .

High IP rating is required for underwater application. Product won't float for the weight and consistency of stainless steel. High Thickness waterproof housing. Latest and brand LED chip. High brightness and durability ensure lower maintenance and longer lifetime .

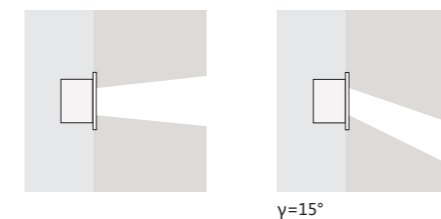
No ultraviolet radiation or infrared ray make Conch DR environmental and comfortable.

DMX512 digital control system makes lighting and color of water concordant and gives soul to the view at night.



1w*9 LENS 25°

Ø(m)	h(m)	E(lx) 6000k	E(lx) 3000k
1.88	+ 6	69	48
1.25	+ 4	155	107
0.93	+ 3	276	190
0.62	+ 2	620	428
0.32	- 1	2478	1709



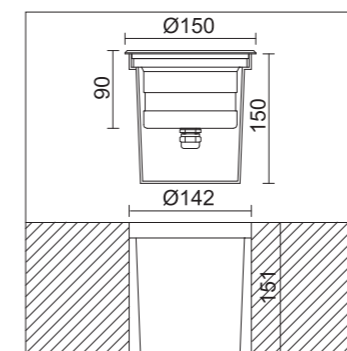
LED Underwater recessed light

Technical Data : 316 Stainless steel housing and cover ring
 Precise optical lens and lighting distribution
 Optional Lighting beam angles : 5° , 15° , 25° , 38° , 45° , 60° , γ=15°
 Imported silicon rubber ring
 High intensity tempered glass
 Integrated driver 12V.DC/24V.DC input, AVX9063.03 24V.DC

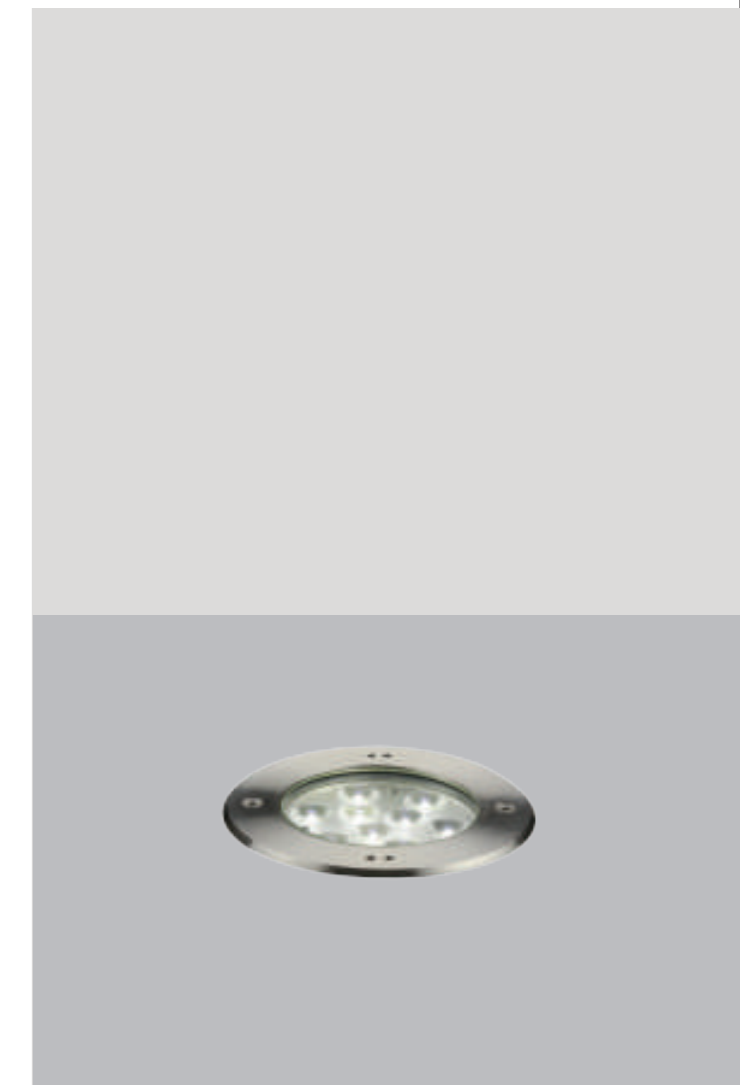
LED : High Power LED
 AVX9063.XX: 1w x9 350mA
 AVX9064.XX, AVX9063.03: 1.5w x9 500mA
 XX: 01=3000K, 08=4000K, 02=6000K, 03=R.G.B
 04=Red, 05=Green, 06=Blue, 07=Amber

Protection Rating : IP68...5m

Dimension



Model No.	Lamp	Luminous Flux(lm)	Power(w)	CCT(k)	Beam angle	Voltage
AVX9063.01	LED	1125	12	3000	15°	12V.DC/24V.DC
AVX9063.02	LED	1278	12	6000	15°	12V.DC/24V.DC
AVX9063.03	LED	950	16	R.G.B	15°	24V.DC
AVX9064.01	LED	1494	16	3000	15°	12V.DC/24V.DC
AVX9064.02	LED	1701	16	6000	15°	12V.DC/24V.DC



LED Underwater Recessed Light Conch DR

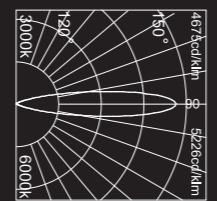
AVX9067.XX 23W, AVX9068.XX 30W

Conch DR is consisted of precisely molding 316 stainless steel housing and plastic recessed can, the max installation depth underwater is 5M .

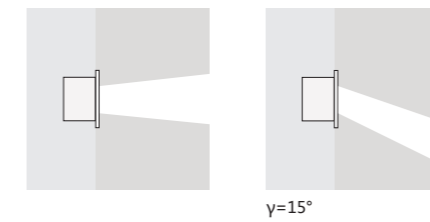
High IP rating is required for underwater application. Product won't float for the weight and consistency of stainless steel. High Thickness waterproof housing. Latest and brand LED chip. High brightness and durability ensure lower maintenance and longer lifetime .

No ultraviolet radiation or infrared ray make Conch DR environmental and comfortable.

DMX512 digital control system makes lighting and color of water concordant and gives soul to the view at night.



	6	126	111
1.87	+	4	284
1.25	+	3	505
0.93	+	2	1135
0.62	+	1	4536
0.31			3993



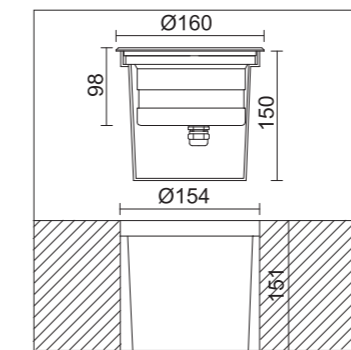
LED Underwater recessed light

Technical Data : 316 Stainless steel housing and cover ring
 Precise optical lens and lighting distribution
 Optional Lighting beam angles : 15°, 25°, 38°, 45°, 60°, 25°*35°, γ=15°
 Imported silicon rubber ring
 High intensity tempered glass
 Integrated driver, 12V.DC/24V.DC input, AVX9067.03 24V.DC

LED : High Power LED
 AVX9067.XX: 1w x 18 350mA
 AVX9068.XX, AVX9067.03: 1.5w x 18 500mA
 XX: 01=3000K, 08=4000K, 02=6000K, 03=R.G.B
 04=Red, 05=Green, 06=Blue, 07=Amber

Protection Rating : IP68...5m

Dimension



Model No.	Lamp	Luminous Flux(lm)	Power(w)	CCT(k)	Beam angle	Voltage
AVX9067.01	LED	2250	23	3000	25°	12V.DC/24V.DC
AVX9067.02	LED	2556	23	6000	25°	12V.DC/24V.DC
AVX9067.03	LED	2410	30	R.G.B	25°	24V.DC
AVX9068.01	LED	2988	30	3000	25°	12V.DC/24V.DC
AVX9068.02	LED	3402	30	6000	25°	12V.DC/24V.DC



LED Underwater spotlight Conch EB

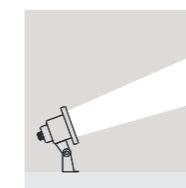
AVX9200.XX 3W, AVX90201.XX 5W

Conch EB is consisted of 316 extruded stainless steel housing and mounting bracket, the max installation depth underwater is 5M .

High IP rating is required for underwater application. Product won't float for the weight and consistency of stainless steel. High Thickness waterproof housing. Latest and brand LED chip. High brightness and durability ensure lower maintenance and longer lifetime .

No ultraviolet radiation or infrared ray make Conch EB environmental and comfortable.

DMX512 digital control system makes lighting and color of water concordant and gives soul to the view at night.



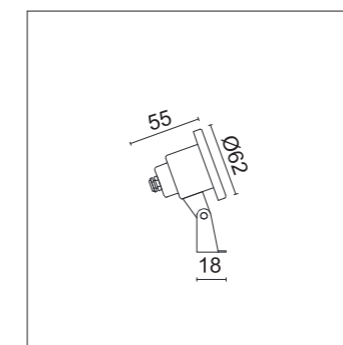
LED Underwater spotlight

Technical Data : 316 Extruded Stainless steel housing and cover ring
 Precise optical lens and lighting distribution
 Optional Lighting beam angles : 15° , 25° , 38° , 45°
 Imported silicon rubber ring
 High intensity tempered glass
 Integrated driver, 12V.DC input
 Adjustable Stainless steel mounting bracket

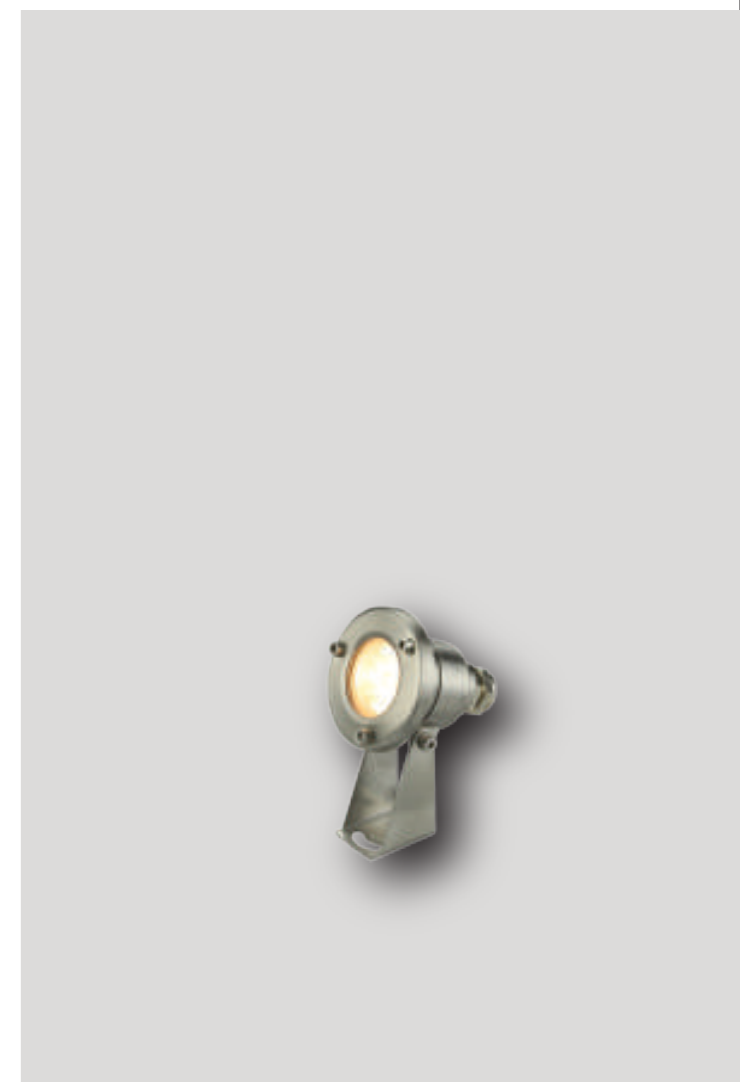
LED : High Power LED
 AVX9200.XX: 1w x3 350mA
 AVX9201.XX: 1.5w x3 500mA
 01=3000K, 08=4000K, 02=6000K
 04=Red, 05=Green, 06=Blue, 07=Amber

Protection Rating : IP68...5m

Dimension



Model No.	Lamp	Luminous Flux(lm)	Power(w)	CCT(k)	Beam angle	Voltage
AVX9200.01	LED	327	3	3000	25°	12V.DC/24V.DC
AVX9200.02	LED	375	3	6000	25°	12V.DC/24V.DC
AVX9201.01	LED	489	5	3000	25°	12V.DC/24V.DC
AVX9201.02	LED	567	5	6000	25°	12V.DC/24V.DC



LED Underwater spotlight Conch EB

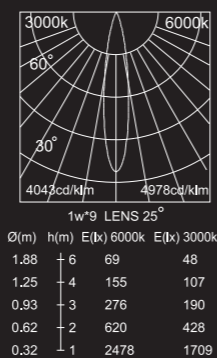
AVX9202.XX 12W, AVX9203.XX 16W

Conch EB is consisted of 316 extruded stainless steel housing and mounting bracket, the max installation depth underwater is 5M.

High IP rating is required for underwater application. Product won't float for the weight and consistency of stainless steel. High Thickness waterproof housing. Latest and brand LED chip. High brightness and durability ensure lower maintenance and longer lifetime.

No ultraviolet radiation or infrared ray make Conch EB environmental and comfortable.

DMX512 digital control system makes lighting and color of water concordant and gives soul to the view at night.



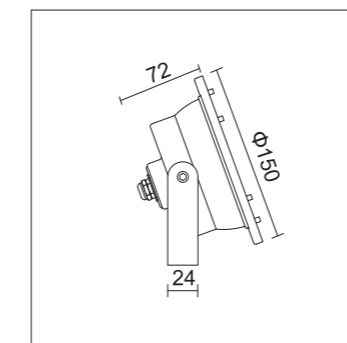
LED Underwater spotlight

Technical Data : 316 Extruded Stainless steel housing and cover ring
 Precise optical lens and lighting distribution
 Optional Lighting beam angles : 5°, 15°, 25°, 38°, 45°, 60°
 Imported silicon rubber ring
 High intensity tempered glass
 Integrated driver, 12V.DC/24V.DC input, AVX9202.03 24V.DC
 Adjustable Stainless steel mounting bracket

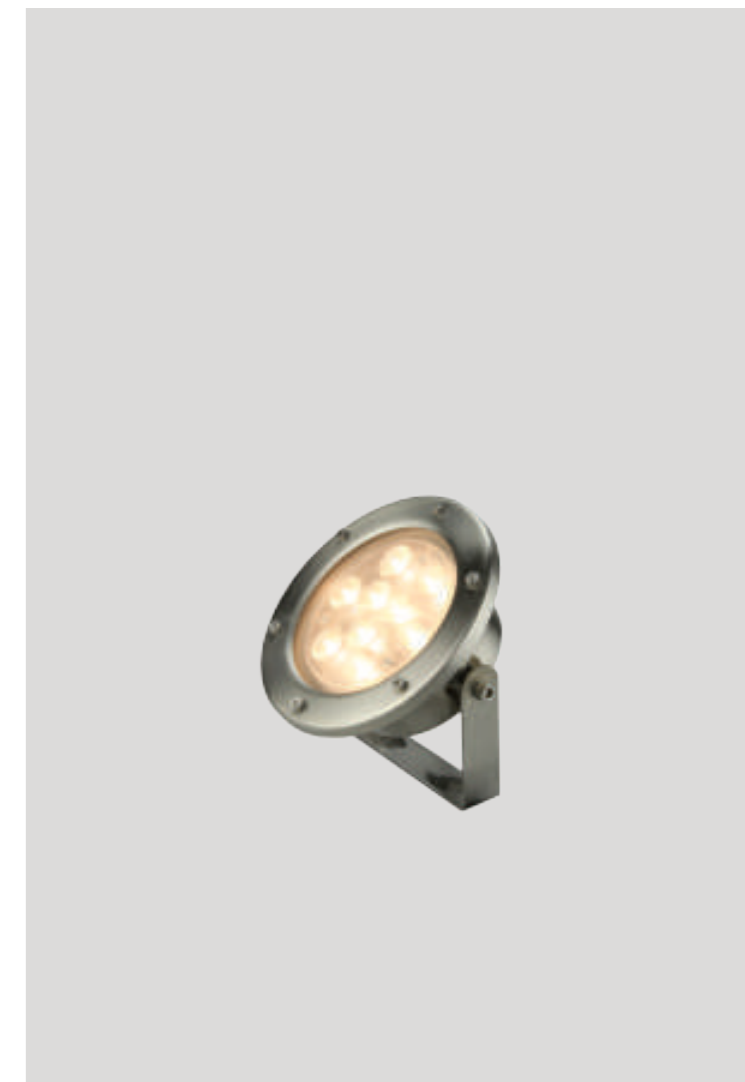
LED : High Power LED
 AVX9202.XX: 1w x9 350mA
 AVX9203.XX, AVX9203.03: 1.5w x9 500mA
 XX: 01=3000K, 08=4000K, 02=6000K, 03=R.G.B
 04=Red, 05=Green, 06=Blue, 07=Amber

Protection Rating : IP68...5m

Dimension



Model No.	Lamp	Luminous Flux(lm)	Power(w)	CCT(k)	Beam angle	Voltage
AVX9202.01	LED	1125	12	3000	15°	12V.DC/24V.DC
AVX9202.02	LED	1278	12	6000	15°	12V.DC/24V.DC
AVX9202.03	LED	1205	16	R.G.B	15°	24V.DC
AVX9203.01	LED	1494	16	3000	15°	12V.DC/24V.DC
AVX9203.02	LED	1701	16	6000	15°	12V.DC/24V.DC



LED Underwater spotlight Conch EB

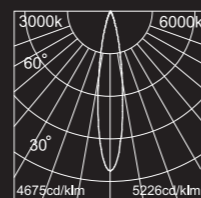
AVX9204.XX 23W, AVX9205.XX 30W

Conch EB is consisted of 316 extruded stainless steel housing and mounting bracket, the max installation depth underwater is 5M .

High IP rating is required for underwater application. Product won't float for the weight and consistency of stainless steel. High Thickness waterproof housing. Latest and brand LED chip. High brightness and durability ensure lower maintenance and longer lifetime .

No ultraviolet radiation or infrared ray make Conch EB environmental and comfortable.

DMX512 digital control system makes lighting and color of water concordant and gives soul to the view at night.



1w*18 LENS 25°

Q(m)	h(m)	E(k) 6000k	E(k) 3000k
1.87	6	126	111
1.25	4	284	250
0.93	3	505	443
0.62	2	1135	999
0.31	1	4536	3993

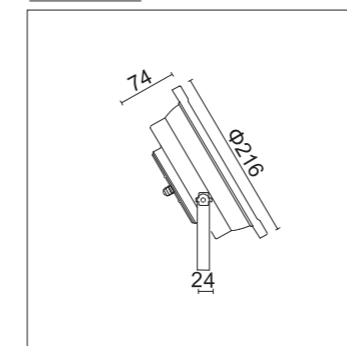
LED Underwater spotlight

Technical Data : 316 Extruded Stainless steel housing and cover ring
 Precise optical lens and lighting distribution
 Optional Lighting beam angles : 5°, 15°, 25°, 45°, 60°, 15°*50° 10°*60°
 Imported silicon rubber ring
 High intensity tempered glass
 Integrated driver, 12V.DC/24V.DC input, AVX9204.03 24V.DC
 Adjustable Stainless steel mounting bracket

LED : High Power LED
 AVX9204.XX: 1w x18 350mA
 AVX9205.XX, AVX9204.03: 1.5w x18 500mA
 XX: 01=3000K, 08=4000K, 02=6000K, 03=R.G.B
 04=Red, 05=Green, 06=Blue, 07=Amber

Protection Rating : IP68...5m

Dimension



Model No.	Lamp	Luminous Flux(lm)	Power(w)	CCT(k)	Beam angle	Voltage
AVX9204.01	LED	2250	23	3000	25°	12V.DC/24V.DC
AVX9204.02	LED	2556	23	6000	25°	12V.DC/24V.DC
AVX9204.03	LED	2988	30	R.G.B	25°	24V.DC
AVX9205.01	LED	3402	30	3000	25°	12V.DC/24V.DC
AVX9205.02	LED	1485	30	6000	25°	12V.DC/24V.DC



LED Underwater spotlight Conch ER

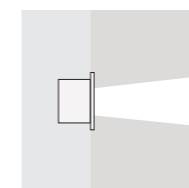
AVX9211.XX 3W, AVX9212.XX 5W

Conch EB is consisted of 316 extruded stainless steel housing and mounting bracket, the max installation depth underwater is 5M .

High IP rating is required for underwater application. Product won't float for the weight and consistency of stainless steel. High Thickness waterproof housing. Latest and brand LED chip. High brightness and durability ensure lower maintenance and longer lifetime .

No ultraviolet radiation or infrared ray make Conch EB environmental and comfortable.

DMX512 digital control system makes lighting and color of water concordant and gives soul to the view at night.



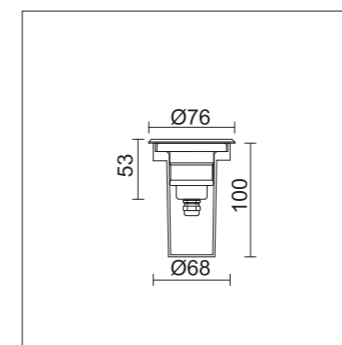
LED Underwater spotlight

Technical Data : 316 Extruded Stainless steel housing and cover ring
 Precise optical lens and lighting distribution
 Optional Lighting beam angles : 15° , 25° , 40°
 Imported silicon rubber ring
 High intensity tempered glass
 Integrated driver, 12V.DC/24VDC input
 Adjustable Stainless steel mounting bracket

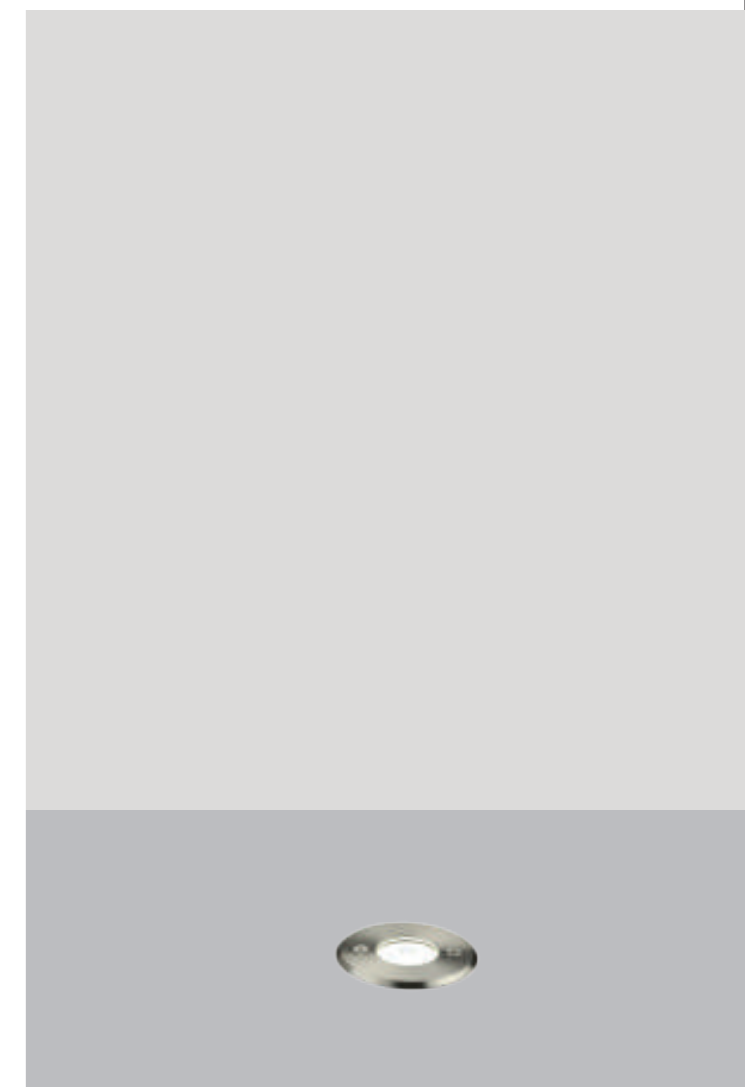
LED : High Power LED
 AVX9211.XX: 1w x3 350mA
 AVX9212.XX: 1.5w x3 500mA
 01=3000K, 08=4000K, 02=6000K
 04=Red, 05=Green, 06=Blue, 07=Amber

Protection Rating : IP68...5m

Dimension



Model No.	Lamp	Luminous Flux(lm)	Power(w)	CCT(k)	Beam angle	Voltage
AVX9211.01	LED	327	3	3000	25°	12V.DC/24V.DC
AVX9211.02	LED	375	3	6000	25°	12V.DC/24V.DC
AVX9212.01	LED	489	5	3000	25°	12V.DC/24V.DC
AVX9212.02	LED	567	5	6000	25°	12V.DC/24V.DC



LED Underwater spotlight Conch ER

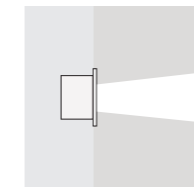
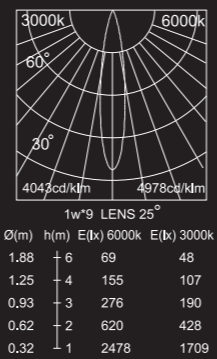
AVX9213.XX 12W, AVX9215.XX 16W

Conch EB is consisted of 316 extruded stainless steel housing and mounting bracket, the max installation depth underwater is 5M .

High IP rating is required for underwater application. Product won't float for the weight and consistency of stainless steel. High Thickness waterproof housing. Latest and brand LED chip. High brightness and durability ensure lower maintenance and longer lifetime .

No ultraviolet radiation or infrared ray make Conch EB environmental and comfortable.

DMX512 digital control system makes lighting and color of water concordant and gives soul to the view at night.



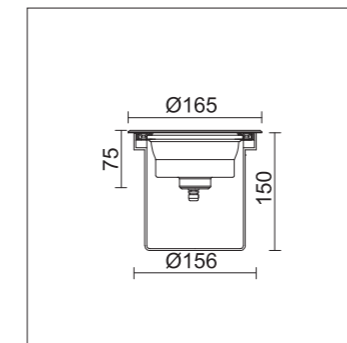
LED Underwater spotlight

Technical Data : 316 Extruded Stainless steel housing and cover ring
 Precise optical lens and lighting distribution
 Optional Lighting beam angles : 5°, 15°, 25°, 38°, 45°, 60°
 Imported silicon rubber ring
 High intensity tempered glass
 Integrated driver, 12V.DC/24V.DC input, AVX9213.03 24V.DC

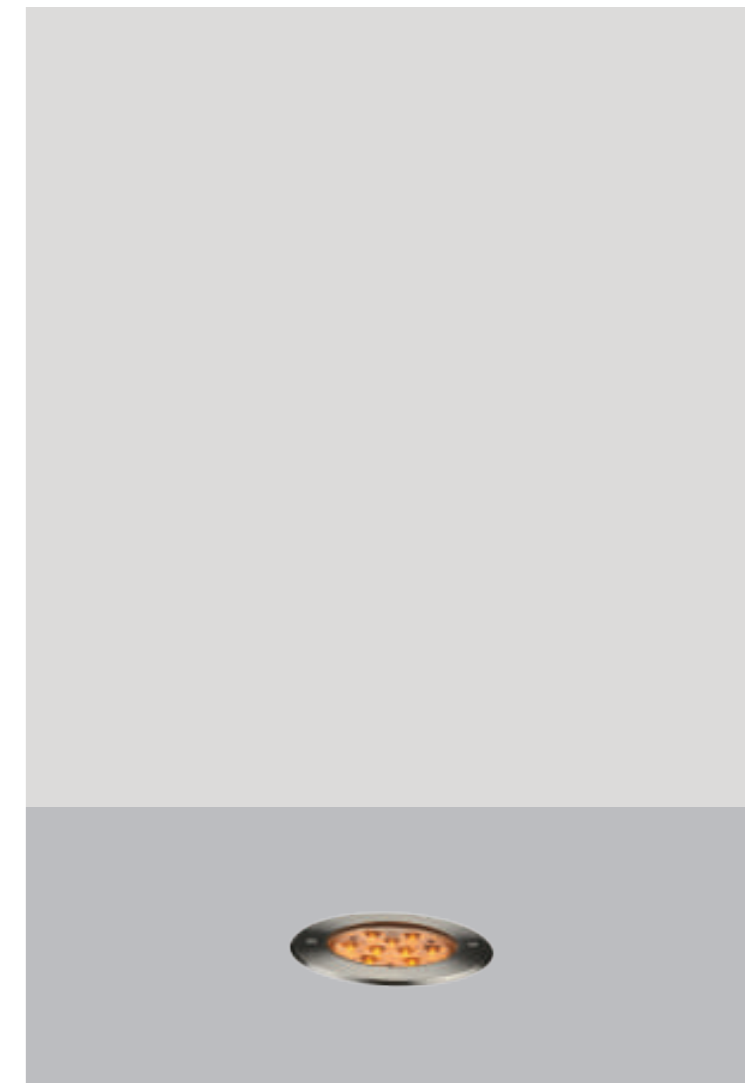
LED : High Power LED
 AVX9213.XX: 1w x9 350mA
 AVX9215.XX, AVX9213.03: 1.5w x9 500mA
 XX: 01=3000K, 08=4000K, 02=6000K, 03=R.G.B
 04=Red, 05=Green, 06=Blue, 07=Amber

Protection Rating : IP68...5m

Dimension



Model No.	Lamp	Luminous Flux(lm)	Power(w)	CCT(k)	Beam angle	Voltage
AVX9213.01	LED	1125	12	3000	15°	12V.DC/24V.DC
AVX9213.02	LED	1278	12	6000	15°	12V.DC/24V.DC
AVX9213.03	LED	1205	16	R.G.B	15°	24V.DC
AVX9215.01	LED	1494	16	3000	15°	12V.DC/24V.DC
AVX9215.02	LED	1701	16	6000	15°	12V.DC/24V.DC



LED Underwater spotlight Conch ER

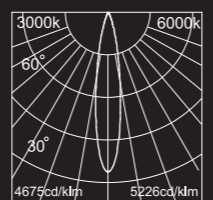
AVX9218.XX 23W, AVX9220.XX 30W

Conch EB is consisted of 316 extruded stainless steel housing and mounting bracket, the max installation depth underwater is 5M .

High IP rating is required for underwater application. Product won't float for the weight and consistency of stainless steel. High Thickness waterproof housing. Latest and brand LED chip. High brightness and durability ensure lower maintenance and longer lifetime .

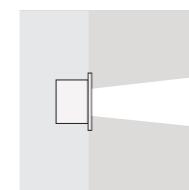
No ultraviolet radiation or infrared ray make Conch EB environmental and comfortable.

DMX512 digital control system makes lighting and color of water concordant and gives soul to the view at night.



1w*18 LENS 25°

Ø(m)	h(m)	E(ft) 6000k	E(ft) 3000k
1.87	+6	126	111
1.25	+4	284	250
0.93	+3	505	443
0.62	+2	1135	999
0.31	+1	4536	3993



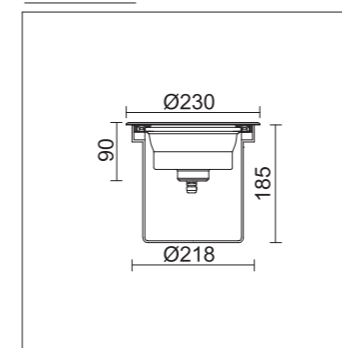
LED Underwater spotlight

Technical Data : 316 Extruded Stainless steel housing and cover ring
 Precise optical lens and lighting distribution
 Optional Lighting beam angles : 15°, 25°, 38°, 45°, 60°, 25°*35°
 Imported silicon rubber ring
 High intensity tempered glass
 Integrated driver, 12V.DC/24V.DC input, AVX9218.03 24V.DC

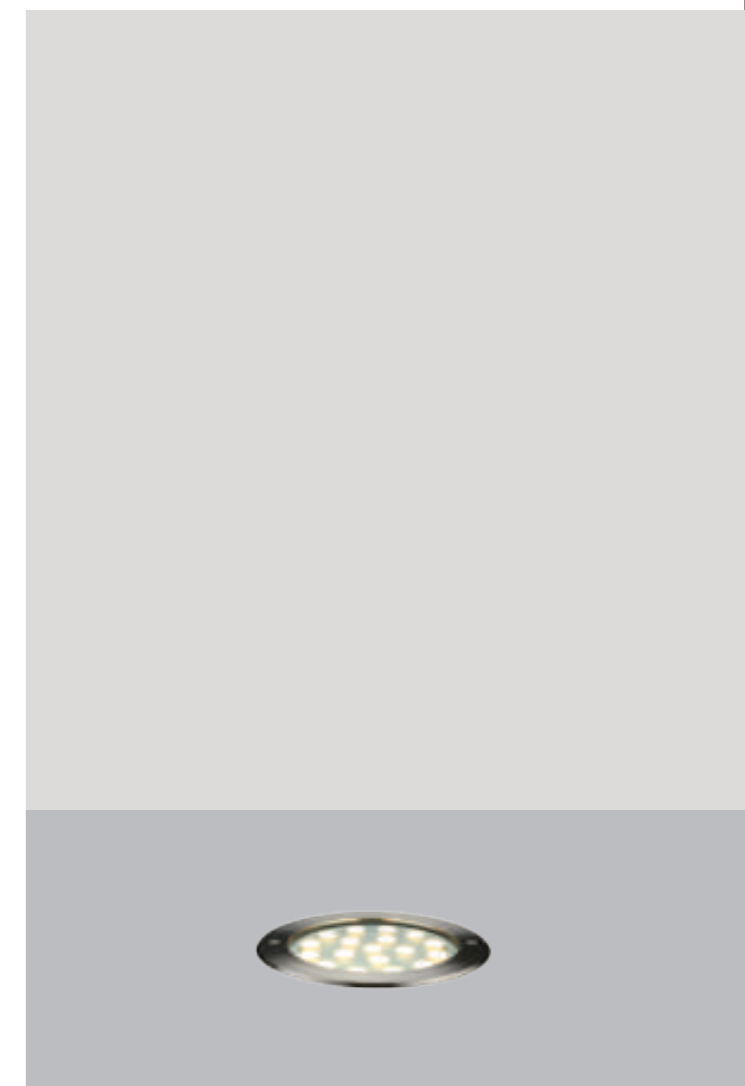
LED : High Power LED
 AVX9218.XX: 1w x18 350mA
 AVX9220.XX, AVX9218.03: 1.5w x18 500mA
 XX: 01=3000K, 08=4000K, 02=6000K, 03=R.G.B
 04=Red, 05=Green, 06=Blue, 07=Amber

Protection Rating : IP68...5m

Dimension



Model No.	Lamp	Luminous Flux(lm)	Power(w)	CCT(k)	Beam angle	Voltage
AVX9218.01	LED	2250	23	3000	25°	12V.DC/24V.DC
AVX9218.02	LED	2556	23	6000	25°	12V.DC/24V.DC
AVX9218.03	LED	2880	30	R.G.B	25°	24V.DC
AVX9220.01	LED	2988	30	3000	25°	12V.DC/24V.DC
AVX9220.02	LED	3402	30	6000	25°	12V.DC/24V.DC

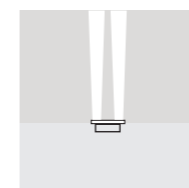


LED Fountain Light Conch FN

AVX9008.XX 12W, AVX9009.XX 16W

Conch FN is consisted of 316 casting stainless steel housing and mounting ring, the max installation depth underwater is 5M, widely applied in fountain lighting.

High IP rating is required for underwater application. Product won't float for the weight and consistency of stainless steel. High Thickness waterproof housing. Latest and brand LED chip. High brightness and durability ensure lower maintenance and longer lifetime.



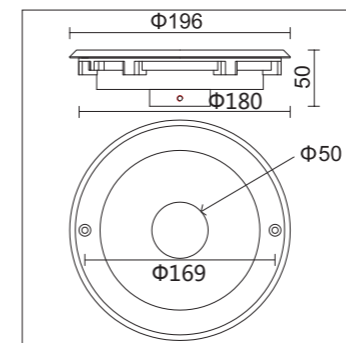
LED Fountain Light

Technical Data : 316 Stainless steel housing and cover ring
 Precise optical lens and lighting distribution
 Optional Lighting beam angles : 5°, 15°, 25°, 45°, 60°
 Imported silicon rubber ring
 High intensity tempered glass
 Integrated driver, 12V.DC/24V.DC input, AVX9008.03 24V.DC

LED : High Power LED
 AVX9008.XX: 1w x9 350mA
 AVX9009.XX, AVX9008.03: 1.5w x9 500mA
 XX: 01=3000K, 08=4000K, 02=6000K, 03=R.G.B
 04=Red, 05=Green, 06=Blue, 07=Amber

Protection Rating : IP68...5m

Dimension



Model No.	Lamp	Luminous Flux(lm)	Power(w)	CCT(k)	Beam angle	Voltage
AVX9008.01	LED	1125	12	3000	15°	12V.DC/24V.DC
AVX9008.02	LED	1278	12	6000	15°	12V.DC/24V.DC
AVX9008.03	LED	743	20	R.G.B	15°	24V.DC
AVX9009.01	LED	1494	20	3000	15°	12V.DC/24V.DC
AVX9009.02	LED	1701	20	6000	15°	12V.DC/24V.DC

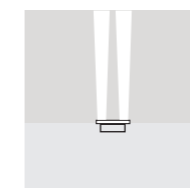


LED Fountain Light Conch FN

AVX9011.XX 12W, AVX9012.XX 16W

Conch FN is consisted of 316 casting stainless steel housing and mounting ring, the max installation depth underwater is 5M, widely applied in fountain lighting.

High IP rating is required for underwater application. Product won't float for the weight and consistency of stainless steel. High Thickness waterproof housing. Latest and brand LED chip. High brightness and durability ensure lower maintenance and longer lifetime.



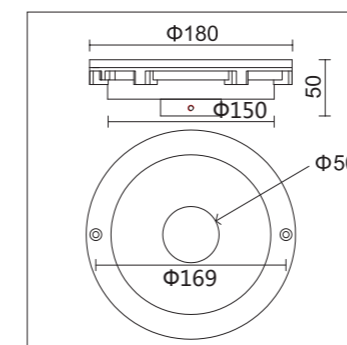
LED Fountain Light

Technical Data : 316 Stainless steel housing and cover ring
 Precise optical lens and lighting distribution
 Optional Lighting beam angles : 5°, 15°, 25°, 45°, 60°
 Imported silicon rubber ring
 High intensity tempered glass
 Integrated driver, 12V.DC/24V.DC input, AVX9011.03 24V.DC

LED : High Power LED
 AVX9011.XX: 1w x9 350mA
 AVX9012.XX, AVX9011.03: 1.5w x9 500mA
 XX: 01=3000K, 08=4000K, 02=6000K, 03=R.G.B
 04=Red, 05=Green, 06=Blue, 07=Amber

Protection Rating : IP68...5m

Dimension



Model No.	Lamp	Luminous Flux(lm)	Power(w)	CCT(k)	Beam angle	Voltage
AVX9011.01	LED	1125	12	3000	25°	12V.DC/24V.DC
AVX9011.02	LED	1278	12	6000	25°	12V.DC/24V.DC
AVX9011.03	LED	743	16	R.G.B	25°	24V.DC
AVX9012.01	LED	1494	16	3000	25°	12V.DC/24V.DC
AVX9012.02	LED	1701	16	6000	25°	12V.DC/24V.DC

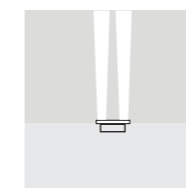


LED Fountain Light Conch FN

AVX9013.XX 12W, AVX9014.XX 16W

Conch FN is consisted of 316 casting stainless steel housing and mounting ring, the max installation depth underwater is 5M, widely applied in fountain lighting.

High IP rating is required for underwater application. Product won't float for the weight and consistency of stainless steel. High Thickness waterproof housing. Latest and brand LED chip. High brightness and durability ensure lower maintenance and longer lifetime.



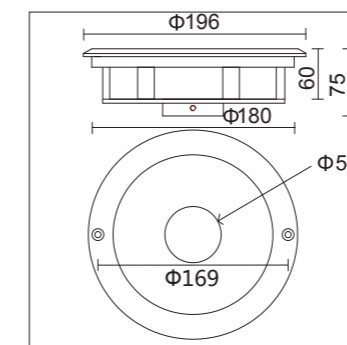
LED Fountain Light

Technical Data : 316 Stainless steel housing and cover ring
 Precise optical lens and lighting distribution
 Optional Lighting beam angles : 5°, 15°, 25°, 45°, 60°
 Imported silicon rubber ring
 High intensity tempered glass
 Integrated driver, 12V.DC/24V.DC input, AVX9013.03 24V.DC DMX512

LED : High Power LED
 AVX9013.XX: 1w x9 350mA
 AVX9014.XX: 1.5w x9 500mA
 XX: 01=3000K, 08=4000K, 02=6000K, 03=R.G.B
 04=Red, 05=Green, 06=Blue, 07=Amber

Protection Rating : IP68...5m

Dimension



Model No.	Lamp	Luminous Flux(lm)	Power(w)	CCT(k)	Beam angle	Voltage
AVX9013.01	LED	1125	12	3000	15°	24V.DC/12V.DC
AVX9013.02	LED	1278	12	6000	15°	24V.DC/12V.DC
AVX9013.03	LED	743	16	R.G.B	15°	24V.DC
AVX9014.01	LED	1494	16	3000	15°	24V.DC/12V.DC
AVX9014.02	LED	1701	16	6000	15°	24V.DC/12V.DC





LED Wall Light IP65

LED Wall ight Gecko WA

AVX2001.XX 4W

It is a surface mounting wall light with very shallow round housing. Soft lighting output and uniform lighting distribution provide different ideas to designers.

Die casting housing and professional design of heat dissipation ensure LED work normally and continuously. CREE MLE LED, wide lighting beam angle. Oblique reflective aluminum surface.

24V.DC input allows this range applied in public area, safety and reliability. Gecko is widely applied in square, corridor, stairs and other places.



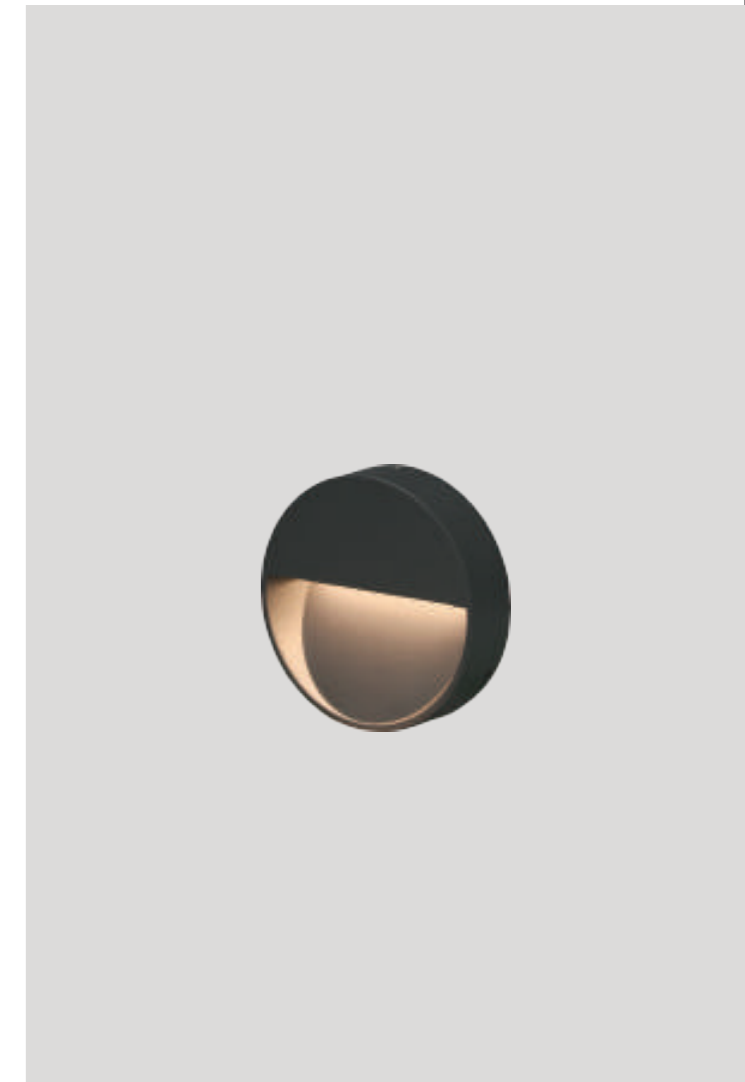
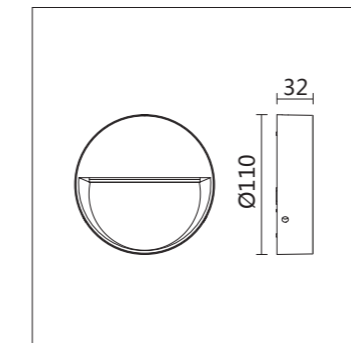
LED Wall light

Technical Data : Die casting aluminum housing
Imported silicon rubber ring
High intensity tempered glass
24V.DC input
Stainless steel screws

LED : MLE LED 01=3000K, 08=4000K, 02=6000K
04=Red, 05=Green, 06=Blue, 07=Amber

Protection Rating : IP65

Dimension



Model No.	Lamp	Luminous Flux (lm)	Power(w)	CCT(k)	Voltage
AVX2001.01	LED	407	4	3000	24V.DC
AVX2001.02	LED	470	4	6000	24V.DC

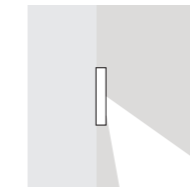
LED Wall light Gecko WA

AVX2002.XX 4W, AVX2008.XX 4W

It is a surface mounting wall light with very shallow round housing. Soft lighting output and uniform lighting distribution provide different ideas to designers.

Die casting housing and professional design of heat dissipation ensure LED work normally and continuously. ,CREE MLE LED, wide lighting beam angle. Oblique reflective aluminum surface.

24V.DC input allows this range applied in public area, safety and reliability. Gecko is widely applied in square, corridor, stairs and other places.



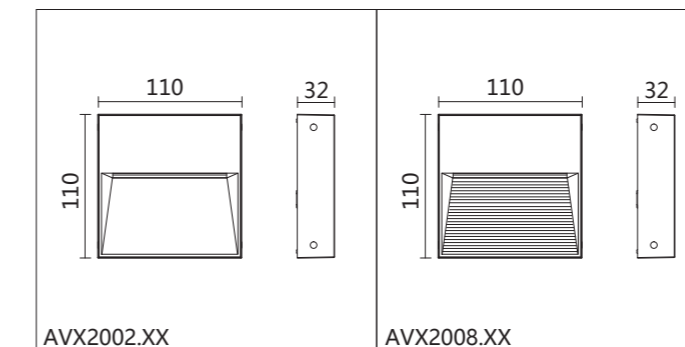
LED Wall light

Technical Data : Die casting aluminum housing
Imported silicon rubber ring
High intensity tempered glass
24V.DC input
Stainless steel screws

LED : MLE LED 01=3000K, 08=4000K, 02=6000K
04=Red, 05=Green, 06=Blue, 07=Amber

Protection Rating : IP65

Dimension



Model No.	Lamp	Luminous Flux (lm)	Power(w)	CCT(k)	Voltage
AVX2002.01	LED	407	4	3000	24V.DC
AVX2002.02	LED	470	4	6000	24V.DC
AVX2008.01	LED	407	4	3000	24V.DC
AVX2008.02	LED	470	4	6000	24V.DC



AVX2002.XX



AVX2008.XX

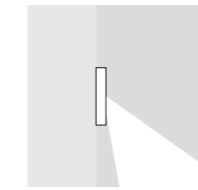
LED Wall ight Gecko WA

AVX2003.XX 12W

It is a surface mounting wall light with very shallow round housing. Soft lighting output and uniform lighting distribution provide different ideas to designers.

Die casting housing and professional design of heat dissipation ensure LED work normally and continuously. MeanWell Driver, CREE MLE LED, wide lighting beam angle. Oblique reflective aluminum surface.

Gecko is widely applied in square, corridor, stairs and other places.

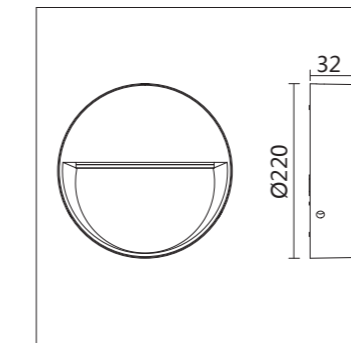


LED Wall light

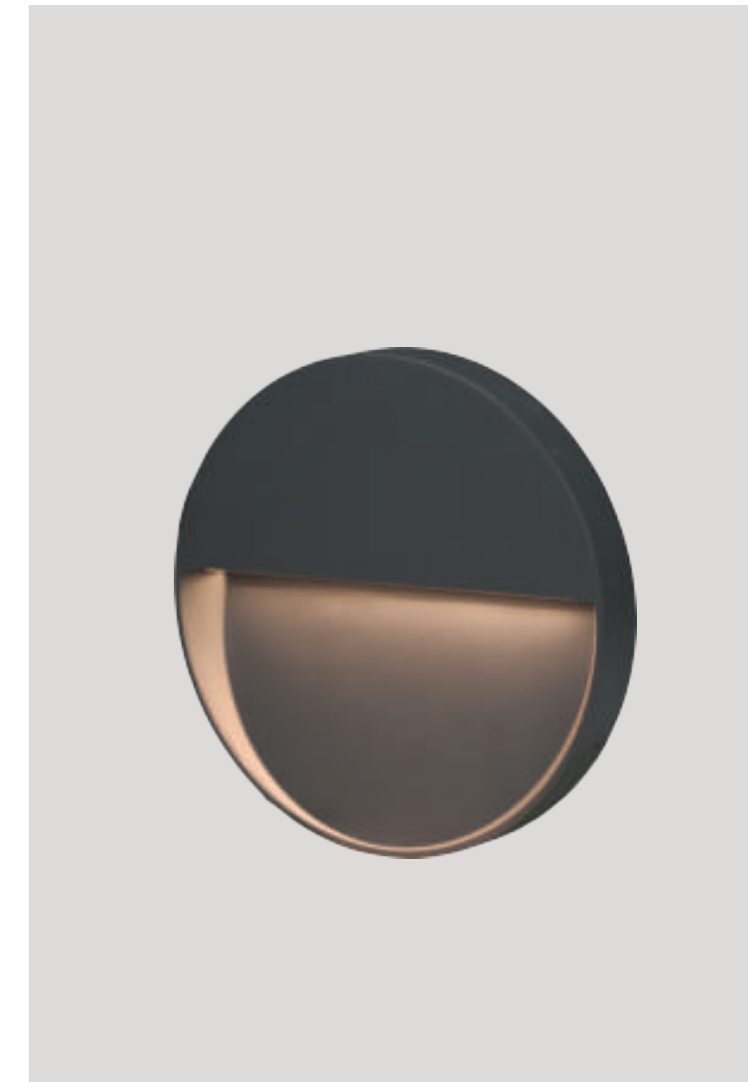
Technical Data : Die casting aluminum housing
Imported silicon rubber ring
High intensity tempered glass
In built constant current LED driver
Stainless steel screws

LED : MLE LED 01=3000K, 08=4000K, 02=6000K
04=Red, 05=Green, 06=Blue, 07=Amber

Dimension



Model No.	Lamp	Luminous Flux (lm)	Power(w)	CCT(k)	Voltage
AVX2003.01	LED	1452	12	3000	100V-240V
AVX2003.02	LED	1680	12	6000	100V-240V



LED Wall light Gecko WA

AVX2004.XX 12W, AVX2010.XX 12W

It is a surface mounting wall light with very shallow square housing. Soft lighting output and uniform lighting distribution provide different ideas to designers.

Die casting housing and professional design of heat dissipation ensure LED work normally and continuously. MeanWell Driver, CREE MLE LED, wide lighting beam angle. Oblique reflective aluminum surface.

Gecko is widely applied in square, corridor, stairs and other places.



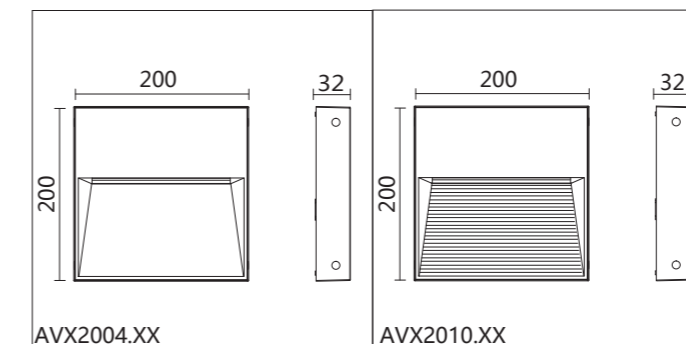
LED Wall light

Technical Data : Die casting aluminum housing
Imported silicon rubber ring
High intensity tempered glass
In built constant current LED driver
Stainless steel screws

LED : LED 01=3000K, 08=4000K, 02=6000K
04=Red, 05=Green, 06=Blue, 07=Amber

Protection Rating : IP65

Dimension



AVX2004.XX

AVX2010.XX

Model No.	Lamp	Luminous Flux (lm)	Power(w)	CCT(k)	Voltage
AVX2004.01	LED	1452	12	3000	100V~240V
AVX2004.02	LED	1680	12	6000	100V~240V
AVX2010.01	LED	1452	12	3000	100V~240V
AVX2010.02	LED	1680	12	6000	100V~240V



AVX2004.XX



AVX2010.XX

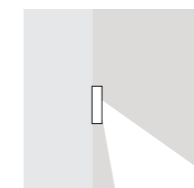
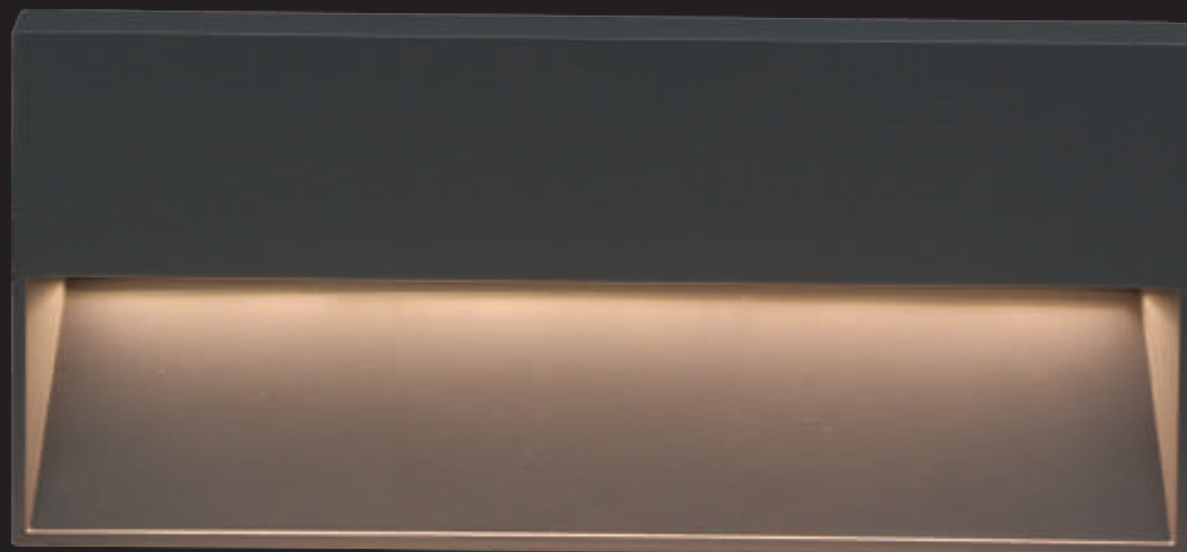
LED Wall light Gecko WA

AVX2005.XX 15W, AVX2011.XX 15W

It is a surface mounting wall light with very shallow square housing. Soft lighting output and uniform lighting distribution provide different ideas to designers.

Die casting housing and professional design of heat dissipation ensure LED work normally and continuously. MeanWell Driver, CREE MLE LED, wide lighting beam angle. Oblique reflective aluminum surface.

Gecko is widely applied in square, corridor, stairs and other places.



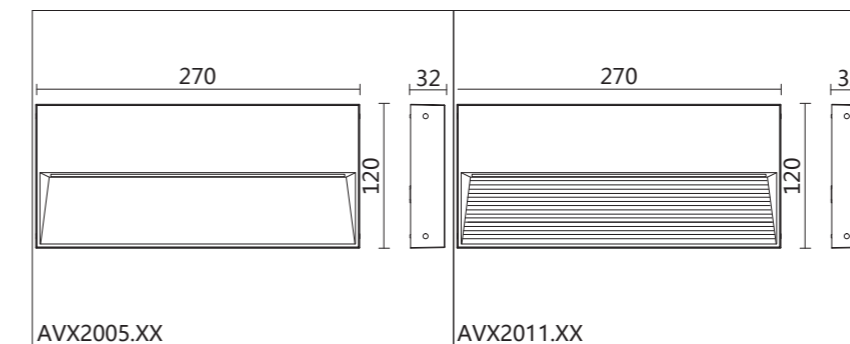
LED Wall light

Technical Data : Die casting aluminum housing
Imported silicon rubber ring
High intensity tempered glass
In built constant current LED driver
Stainless steel screws

LED : LED 01=3000K, 08=4000K, 02=6000K
04=Red, 05=Green, 06=Blue, 07=Amber

Protection Rating : IP65

Dimension



AVX2005.XX

AVX2011.XX

Model No.	Lamp	Luminous Flux (lm)	Power(w)	CCT(k)	Voltage
AVX2005.01	LED	1742	15	3000	100V~240V
AVX2005.02	LED	2016	15	6000	100V~240V
AVX2011.01	LED	1742	15	3000	100V~240V
AVX2011.02	LED	2016	15	6000	100V~240V



AVX2005.XX



AVX2011.XX

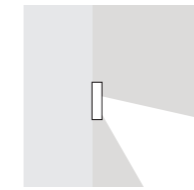
LED Wall light Gecko WA

AVX2006.XX 12W

It is a surface mounting wall light with very shallow square housing. Soft lighting output and uniform lighting distribution provide different ideas to designers.

Die casting housing and professional design of heat dissipation ensure LED work normally and continuously. MeanWell Driver, CREE MLE LED, wide lighting beam angle. Oblique reflective aluminum surface.

Gecko is widely applied in square, corridor, stairs and other places.



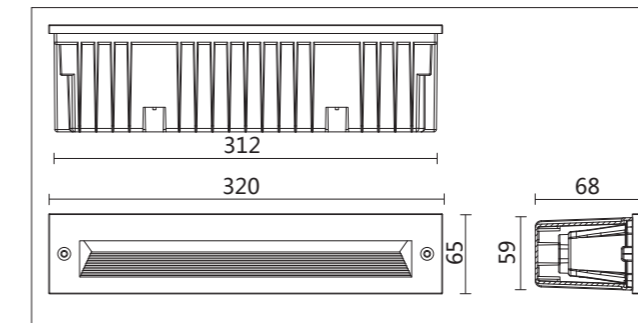
LED Wall light

Technical Data : Die casting aluminum housing
Imported silicon rubber ring
High intensity tempered glass
In built constant current LED driver
Stainless steel screws

LED : Hight Power LED 01=3000K, 08=4000K, 02=6000K
04=Red, 05=Green, 06=Blue, 07=Amber

Protection Rating : IP65

Dimension



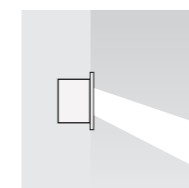
Model No.	Lamp	Luminous Flux (lm)	Power(w)	CCT(k)	Voltage
AVX2006.01	LED	1250	12	3000	100V~240V
AVX2006.02	LED	1420	12	6000	100V~240V



LED Round Step Light

AVX2051.XX 1.5W

Different dimensions, IP65, made of entirely stainless steel, precise optics, asymmetrical and uniform lighting distribution. LED chip is fixed on head sink tightly, ensuring heat dissipates efficiently. Long LED lifetime, stable quality. Applied widely in architectures, greens, parks and other outdoors lighting.



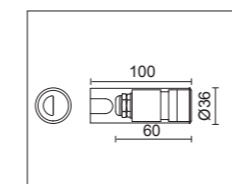
LED Round Step Light

Technical Data : Entirely stainless steel housing
Precise optics and lighting distribution.
Asymmetrical lighting beam angle.
Imported silicon rubber ring.
Low voltage driver. Safe and stable.

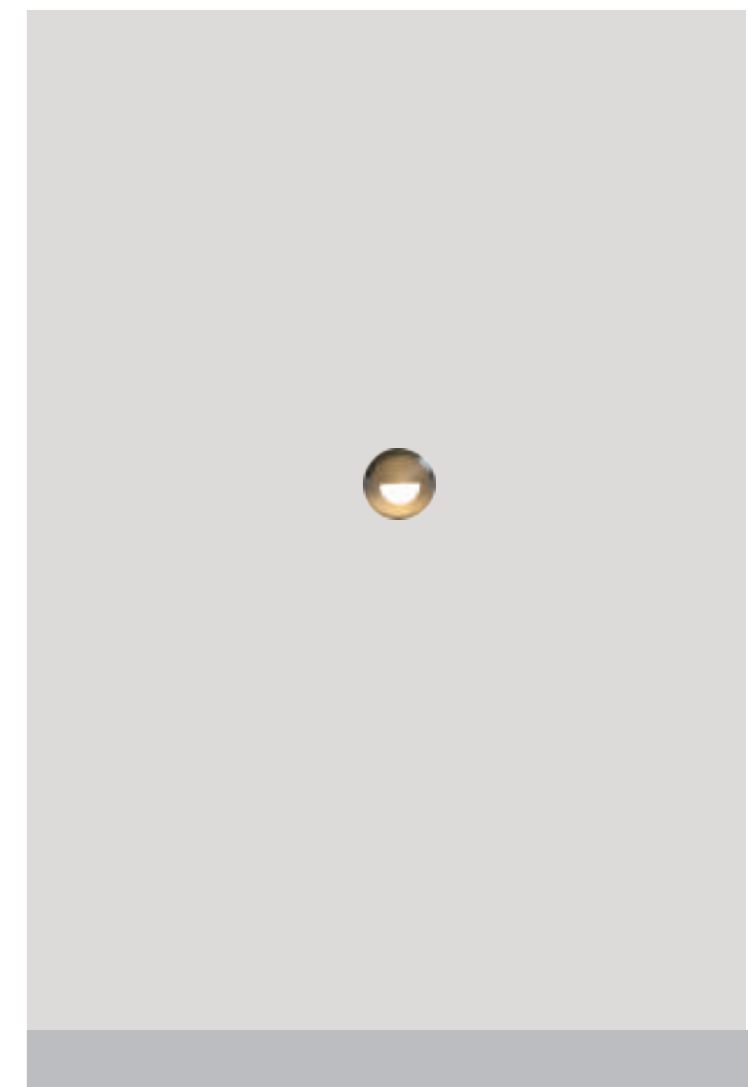
LED : High Power Led
XX: 01=3000K, 02=6000K, 08=4000K,
04=Red, 05=Green, 06=Blue, 07=Amber

Protection Rating : IP65

Dimension



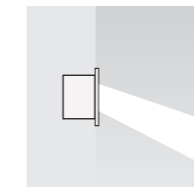
Model No.	Lamp	Luminous flux(lm)	Power(w)	CCT(k)	Beam angle	Voltage
AVX2051.01	LED	125	1.5	3000	Asymmetrical	24V.DC
AVX2051.02	LED	142	1.5	6000	Asymmetrical	24V.DC



LED Round Step Light

AVX2052.XX 1.5W

Different dimensions, IP65, made of entirely stainless steel, precise optics, asymmetrical and uniform lighting distribution. LED chip is fixed on head sink tightly, ensuring heat dissipates efficiently. Long LED lifetime, stable quality. Applied widely in architectures, greens, parks and other outdoors lighting.



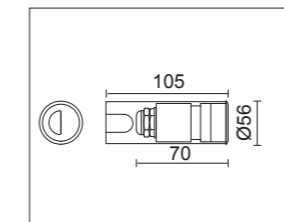
LED Round Step Light

Technical Data : Entirely stainless steel housing
Precise optics and lighting distribution.
Asymmetrical lighting beam angle.
Imported silicon rubber ring.
Low voltage driver. Safe and stable.

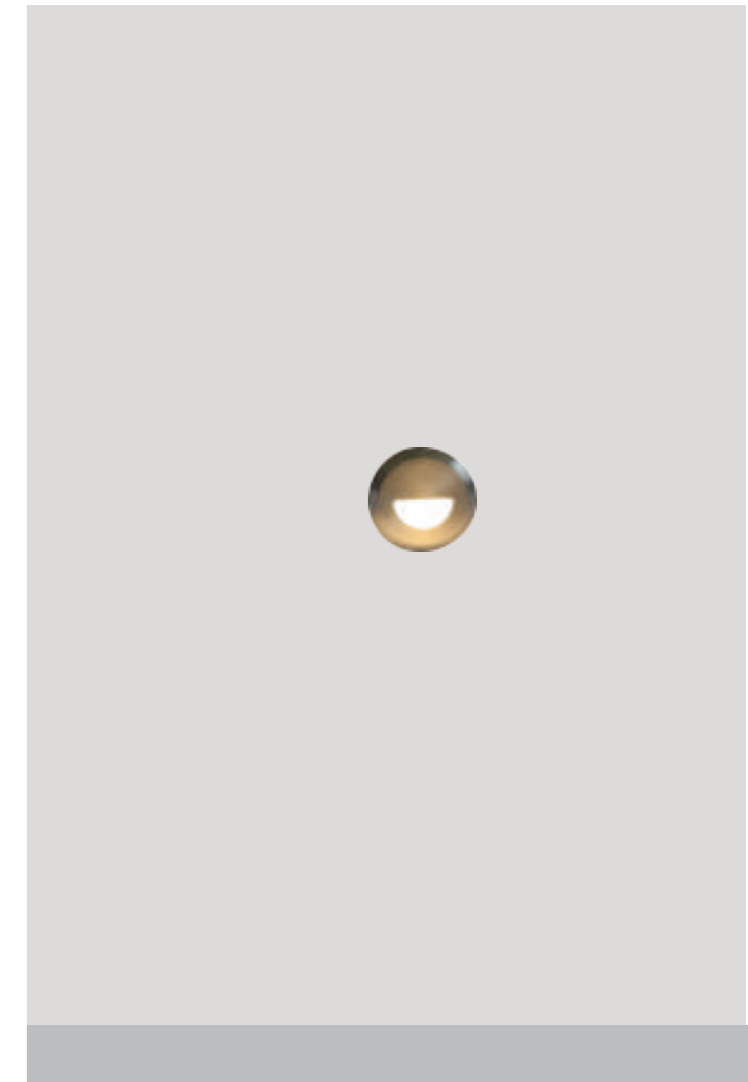
LED : High Power Led
XX: 01=3000K, 02=6000K, 08=4000K,
04=Red, 05=Green, 06=Blue, 07=Amber

Protection Rating : IP65

Dimension



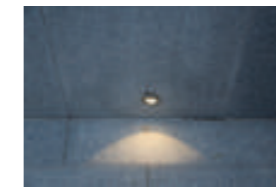
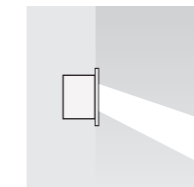
Model No.	Lamp	Luminous flux(lm)	Power(w)	CCT(k)	Beam angle	Voltage
AVX2052.01	LED	125	1.5	3000	Asymmetrical	24V.DC
AVX2052.02	LED	142	1.5	6000	Asymmetrical	24V.DC



LED Round Step Light

AVX2053.XX 2.5W

Different dimensions, IP65, made of entirely stainless steel, precise optics, asymmetrical and uniform lighting distribution. LED chip is fixed on head sink tightly, ensuring heat dissipates efficiently. Long LED lifetime, stable quality. Applied widely in architectures, greens, parks and other outdoors lighting.



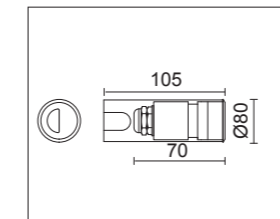
LED Round Step Light

Technical Data : Entirely stainless steel housing
Precise optics and lighting distribution.
Asymmetrical lighting beam angle.
Imported silicon rubber ring.
Low voltage driver. Safe and stable.

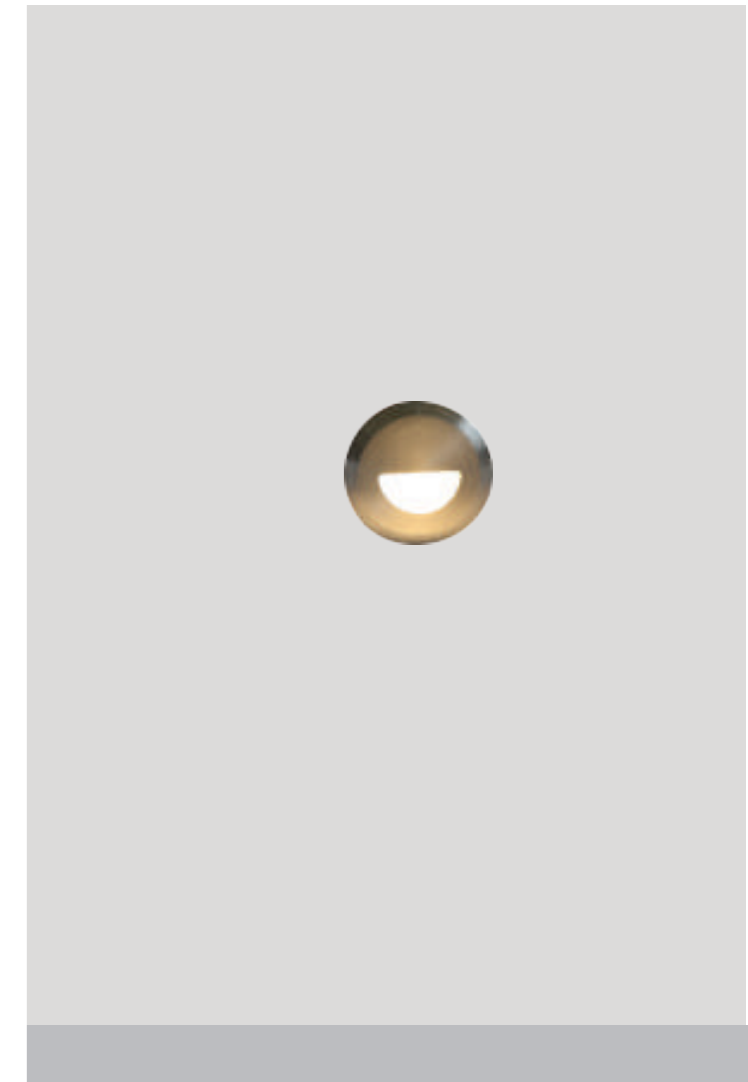
LED : High Power Led
XX: 01=3000K, 02=6000K, 08=4000K,
04=Red, 05=Green, 06=Blue, 07=Amber

Protection Rating : IP65

Dimension



Model No.	Lamp	Luminous flux(lm)	Power(w)	CCT(k)	Beam angle	Voltage
AVX2053.01	LED	166	2.5	3000	Asymmetrical	24V.DC
AVX2053.02	LED	189	2.5	6000	Asymmetrical	24V.DC

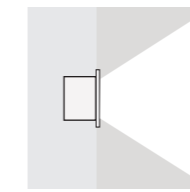


LED Square wall recessed light Gecko RS

AVX2170.XX 3W

Gecko RS serves as Wall Recessed Light finished with square or rectangular stainless steel front cover. Uniform and soft lighting distribution. Die casting housing and professional design of heat dissipation ensure LED work normally and continuously. SMD LED and acrylic board make lighting output wide and warm.

8mm thickness tempered glass. Up to 200kgs max loading at 15km/hours speed. 24V.DC input voltage for public application. ≤45°Csurface temperature allows people touch it.
Widely applied in square,corridor stair and other places.



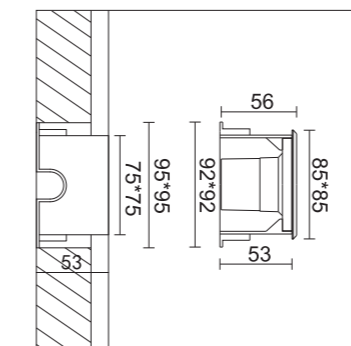
LED Square wall recessed light

Technical Data : Die casting aluminum housing
Stainless steel front cover ring
Quality optical diffuser
Imported silicon rubber ring
High intensity tempered glass
24V.DC Input
Stainless steel screws

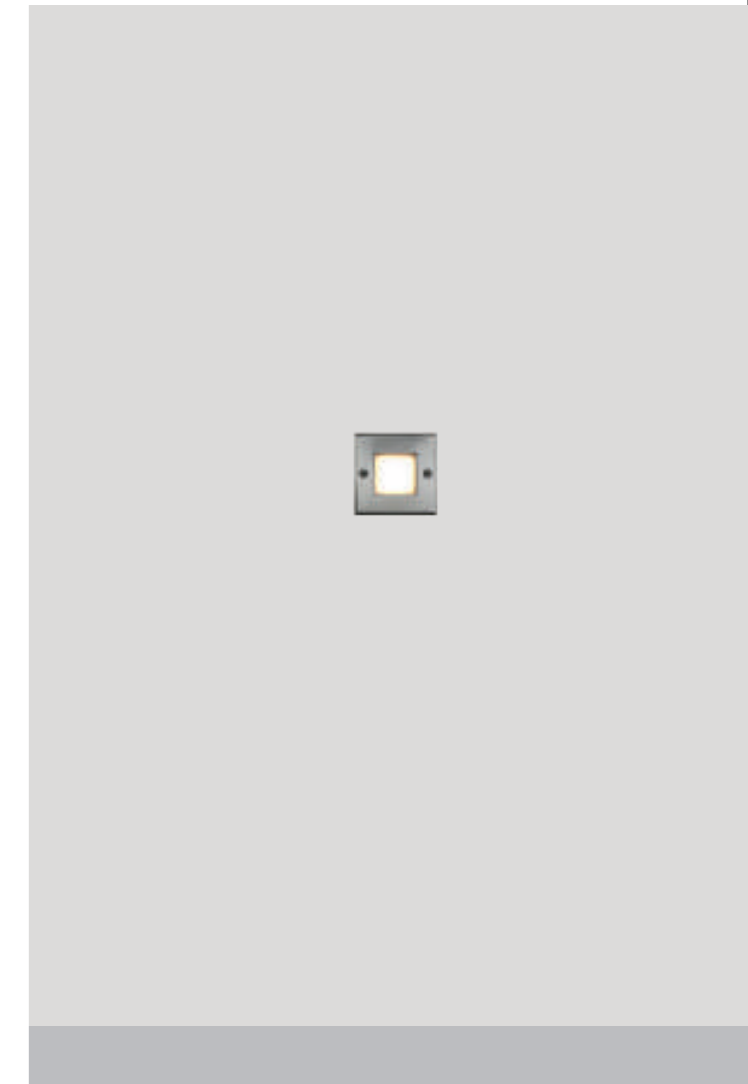
LED : SMD LED
XX: 01=3000K, 08=4000K, 02=6000K,
04=Red, 05=Green, 06=Blue

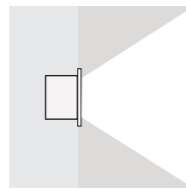
Protection Rating : IP67

Dimension



Model No.	Lamp	Power(w)	CCT(k)	Beam angle	Voltage
AVX2170.01	LED	3	3000	90°	24V.DC
AVX2170.02	LED	3	6000	90°	24V.DC
AVX2170.03	LED	3	R.G.B	90°	24V.DC



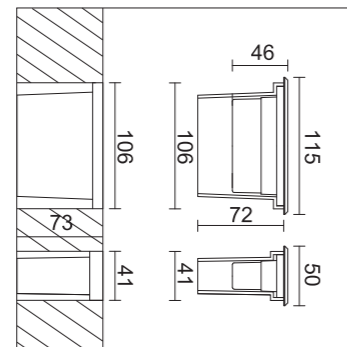


LED Square wall recessed light

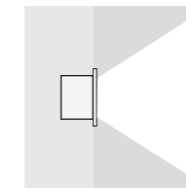
Technical Data : Die casting aluminum housing
Stainless steel front cover ring
Quality optical diffuser
Imported silicon rubber ring
High intensity tempered glass
24V.DC Input
Stainless steel screws

LED : SMD LED
XX: 01=3000K, 08=4000K, 02=6000K,
04=Red, 05=Green, 06=Blue

Protection Rating : IP67
Dimension



Model No.	Lamp	Power(w)	CCT(k)	Beam angle	Voltage
AVX2180.01	LED	3	3000	90°	24V.DC
AVX2180.02	LED	3	6000	90°	24V.DC
AVX2180.03	LED	3	R.G.B	90°	24V.DC

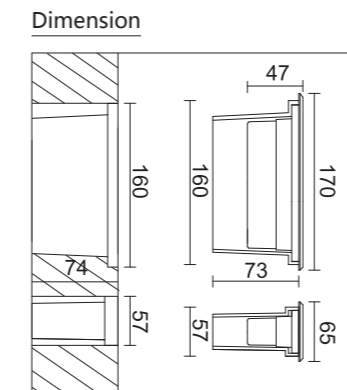


LED Square wall recessed light

Technical Data : Die casting aluminum housing
Stainless steel front cover ring
Quality optical diffuser
Imported silicon rubber ring
High intensity tempered glass
24V.DC Input
Stainless steel screws

LED : SMD LED
XX: 01=3000K, 08=4000K, 02=6000K,
04=Red, 05=Green, 06=Blue

Protection Rating : IP67
Dimension



Model No.	Lamp	Power(w)	CCT(k)	Beam angle	Voltage
AVX2190.01	LED	4	3000	90°	24V.DC
AVX2190.02	LED	4	6000	90°	24V.DC
AVX2190.03	LED	4	R.G.B	90°	24V.DC

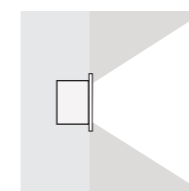
LED Square Wall Recessed Light Gecko RS

AVX2191.XX 6W

Gecko RS serves as Wall Recessed Light finished with square or rectangular stainless steel front cover. Uniform and soft lighting distribution. Die casting housing and professional design of heat dissipation ensure LED work normally and continuously. SMD LED and acrylic board make lighting output wide and warm.

8mm thickness tempered glass. Up to 200kgs max loading at 15km/hours speed. 24V.DC input voltage for public application. ≤45°Csurface temperature allows people touch it.

Widely applied in square,corridor stair and other places.



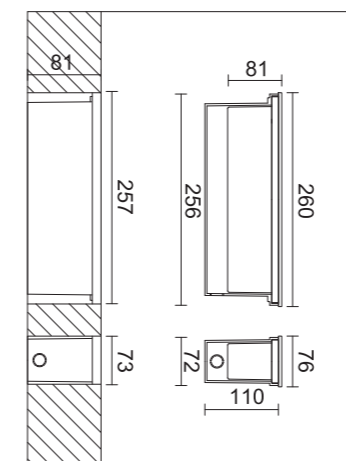
LED Square wall recessed light

Technical Data : Die casting aluminum housing
Stainless steel front cover ring
Quality optical diffuser
Imported silicon rubber ring
High intensity tempered glass
24V.DC Input
Stainless steel screws
Triac dimming and 0-10V dimming are available.

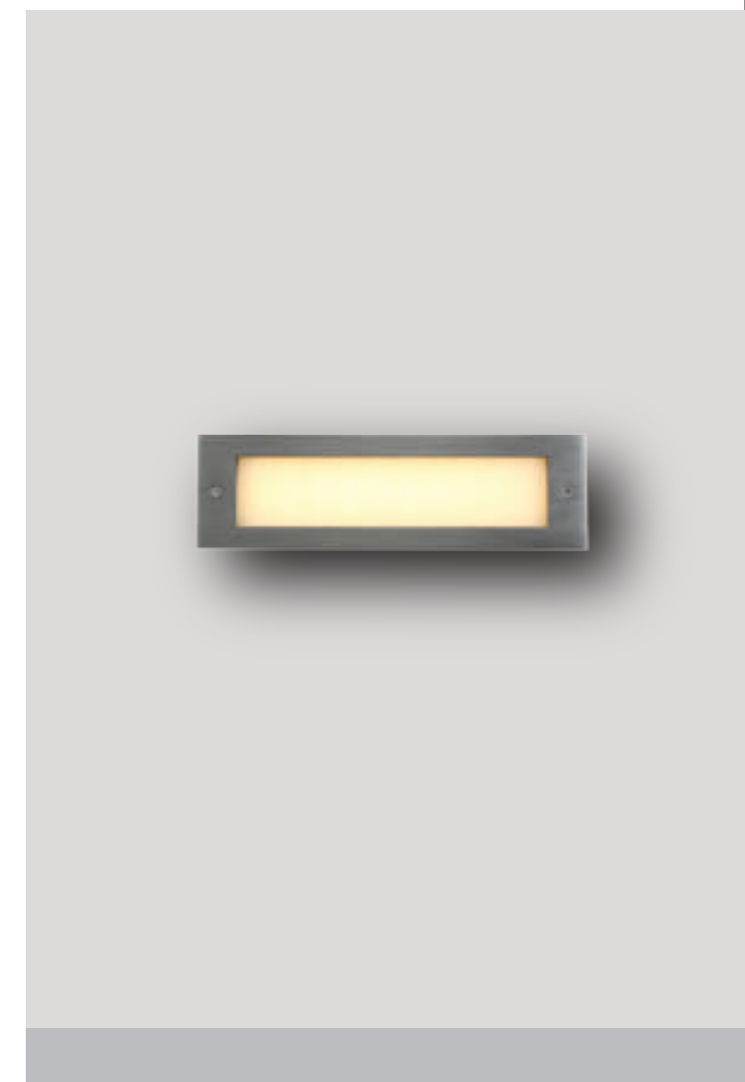
LED : SMD LED
XX: 01=3000K, 08=4000K, 02=6000K,
04=Red, 05=Green, 06=Blue, 07=Amber

Protection Rating : IP67

Dimension



Model No.	Lamp	Power(w)	CCT(k)	Beam angle	Voltage
AVX2191.01	LED	6	3000	90°	24V.DC
AVX2191.02	LED	6	6000	90°	24V.DC
AVX2191.03	LED	6	R.G.B	90°	24V.DC

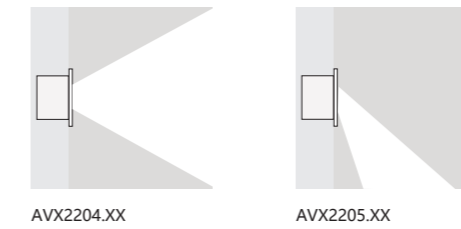


LED Wall Recessed Light Gecko RA

AVX2204.XX 5.5W , AVX2205.XX 5.5W

Gecko RA serves as Wall Recessed Light finished with rectangular aluminum front cover. Uniform and soft lighting distribution. Die casting housing and professional design of heat dissipation ensure LED work normally and continuously. SMD LED makes lighting output wide and warm.

Built in LED driver. $\leq 45^{\circ}\text{C}$ surface temperature allows people touch it. Widely applied in square, corridor stair and other places.



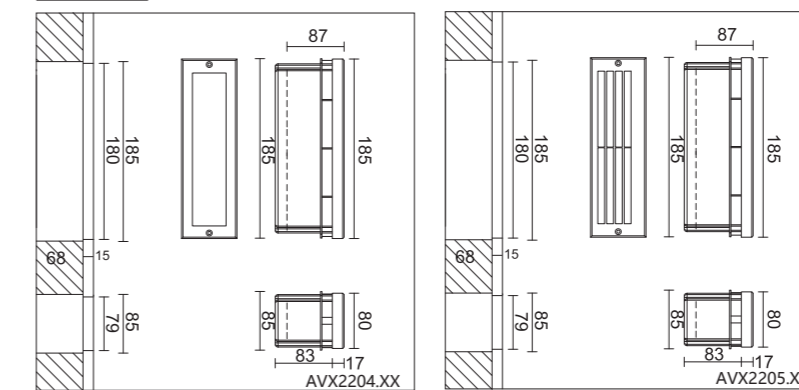
LED Wall recessed light

Technical Data : Die casting aluminum housing
Two kinds of aluminum front cover ring
Quality optical diffuser
Imported silicon rubber ring
High intensity tempered glass
In built LED driver
Stainless steel screws
Triac dimming and 0-10V dimming are available

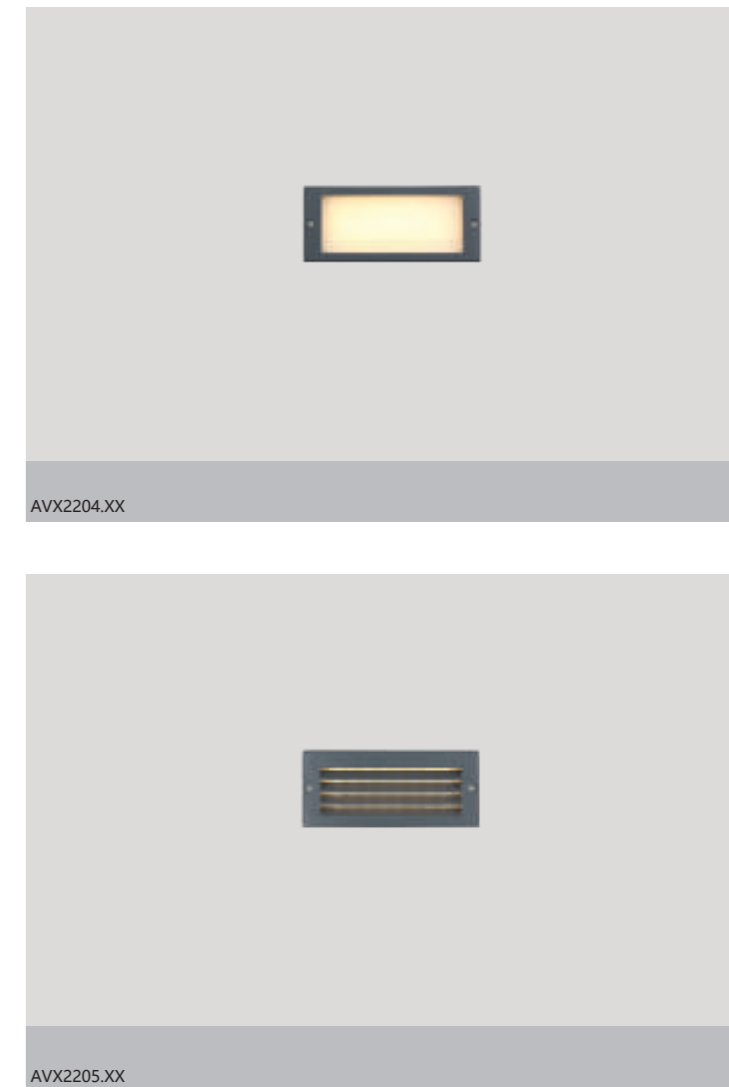
LED : SMD LED x24
XX: 01=3000K, 08=4000K, 02=6000K,
04=Red, 05=Green, 06=Blue, 07=Amber

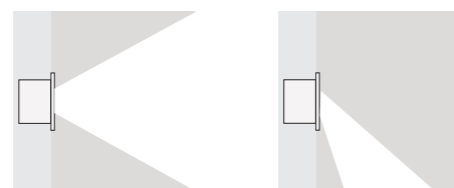
Protection Rating : IP65

Dimension



Model No.	Lamp	Power(w)	CCT(k)	Voltage
AVX2204.01	LED	5.5	3000	100V~240V
AVX2204.02	LED	5.5	6000	100V~240V
AVX2205.01	LED	5.5	3000	100V~240V
AVX2205.02	LED	5.5	6000	100V~240V





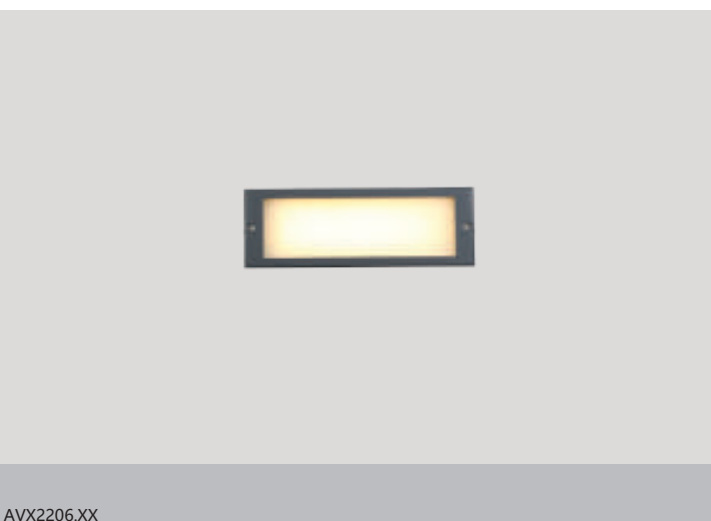
AVX2206.XX

AVX2207.XX



AVX2208.XX

AVX2209.XX



AVX2206.XX



AVX2207.XX

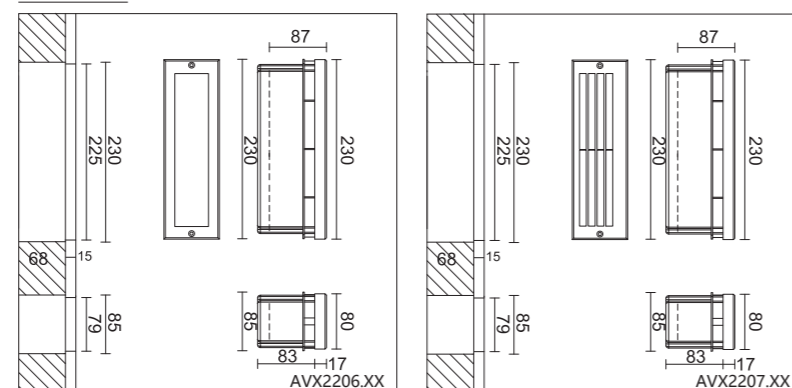
LED Wall recessed light

Technical Data : Die casting aluminum housing
 Two kinds of aluminum front cover ring
 Quality optical diffuser
 Imported silicon rubber ring
 High intensity tempered glass
 In built LED driver
 Stainless steel screws
 Triac dimming and 0-10V dimming are available

LED : SMD LED
 XX: 01=3000K, 08=4000K, 02=6000K,
 04=Red, 05=Green, 06=Blue, 07=Amber

Protection Rating : IP65

Dimension



Model No.	Lamp	Power(w)	CCT(k)	Voltage
AVX2206.01	LED	6.5	3000	100V~240V
AVX2206.02	LED	6.5	6000	100V~240V
AVX2207.01	LED	6.5	3000	100V~240V
AVX2207.02	LED	6.5	6000	100V~240V

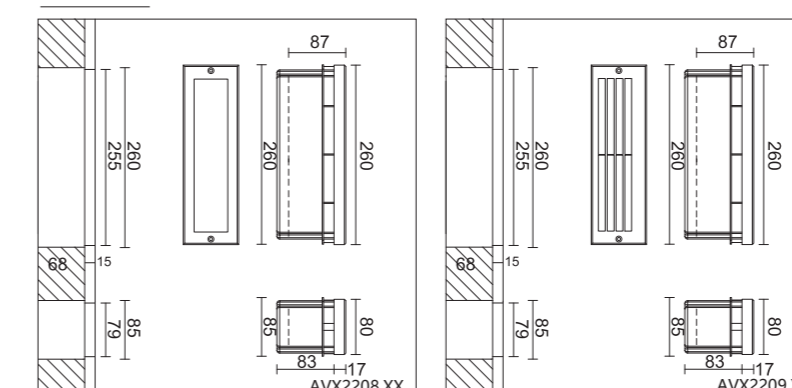
LED Wall recessed light

Technical Data : Die casting aluminum housing
 Two kinds of aluminum front cover ring
 Quality optical diffuser
 Imported silicon rubber ring
 High intensity tempered glass
 In built LED driver
 Stainless steel screws
 Triac dimming and 0-10V dimming are available

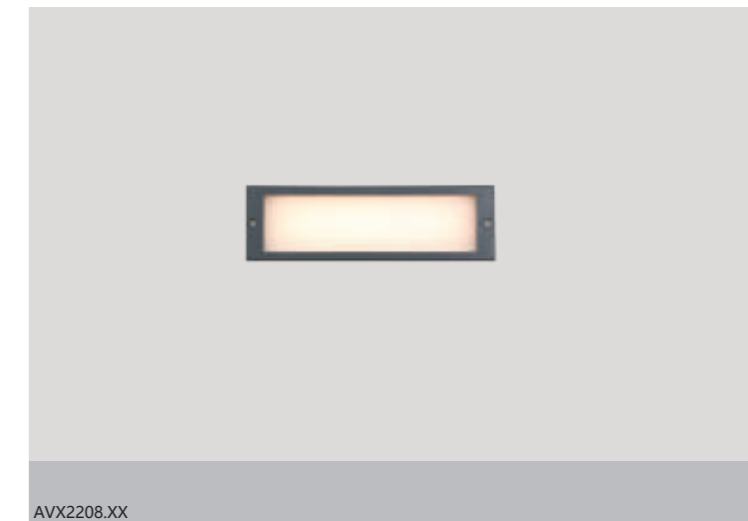
LED : SMD LED
 XX: 01=3000K, 08=4000K, 02=6000K,
 04=Red, 05=Green, 06=Blue, 07=Amber

Protection Rating : IP65

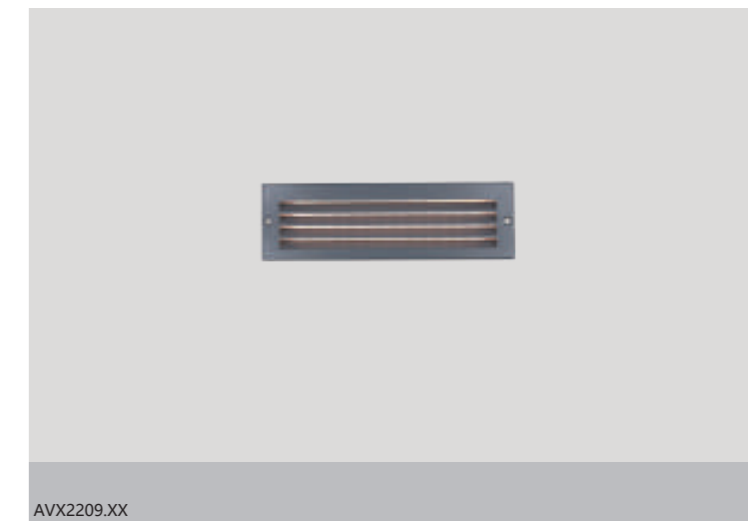
Dimension



Model No.	Lamp	Power(w)	CCT(k)	Voltage
AVX2208.01	LED	7.5	3000	100V~240V
AVX2208.02	LED	7.5	6000	100V~240V
AVX2209.01	LED	7.5	3000	100V~240V
AVX2209.02	LED	7.5	6000	100V~240V



AVX2208.XX



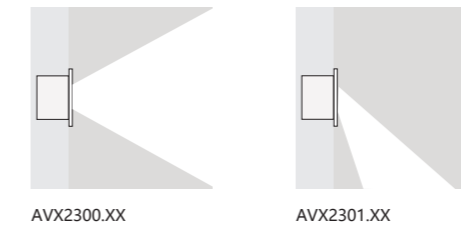
AVX2209.XX

LED Wall recessed light Gecko RA

AVX2300.XX 10W , AVX2301.XX 10W

Gecko RA serves as wall recessed light finished with rectangular aluminum front cover. Uniform and soft lighting distribution. Die casting housing and professional design of heat dissipation ensure LED work normally and continuously. SMD LED makes lighting output wide and warm.

Built in LED driver. $\leq 45^{\circ}\text{C}$ surface temperature allows people touch it. Widely applied in square, corridor stair and other places.



AVX2300.XX

AVX2301.XX

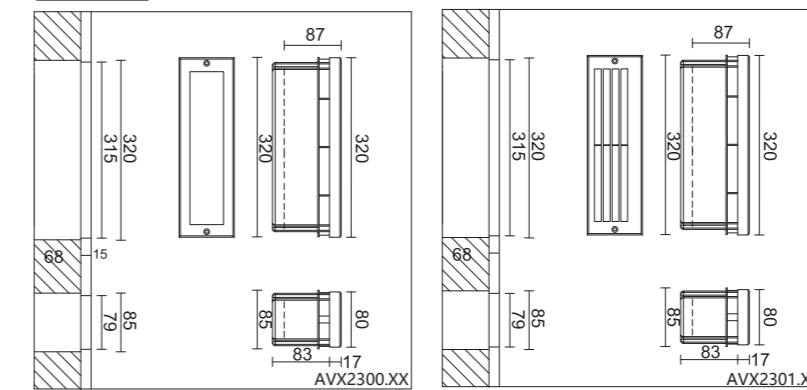
LED Wall recessed light

Technical Data : Die casting aluminum housing
Two kinds of aluminum front cover ring
Quality optical diffuser
Imported silicon rubber ring
High intensity tempered glass
In built LED driver
Stainless steel screws
Triac dimming and 0-10V dimming are available

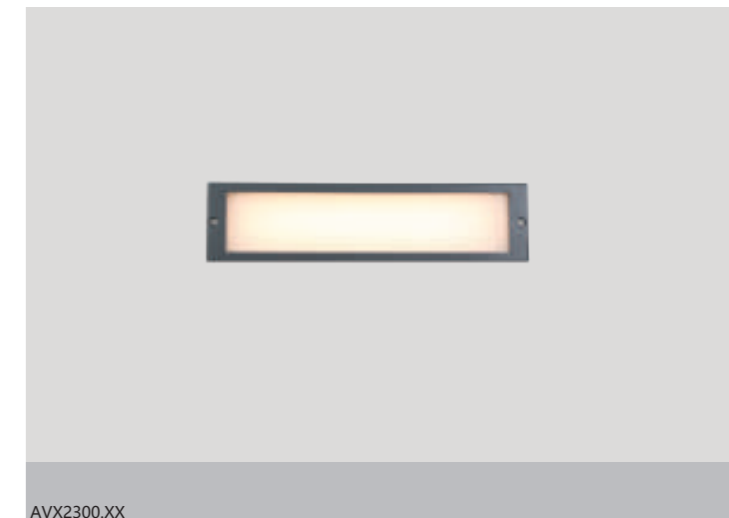
LED : SMD LED x48
XX: 01=3000K, 08=4000K, 02=6000K
04==Red, 05=Green, 06=Blue, 07=Amber

Protection Rating : IP65

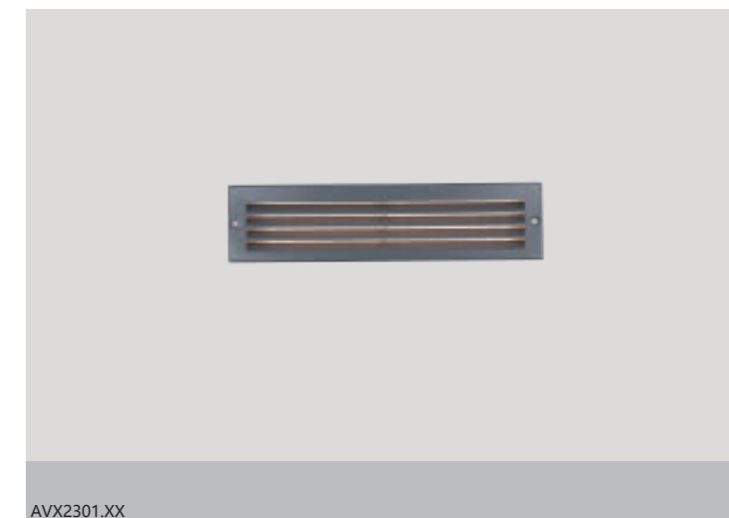
Dimension



Model No.	Lamp	Power(w)	CCT(k)	Voltage
AVX2300.01	LED	10	3000	100V~240V
AVX2300.02	LED	10	6000	100V~240V
AVX2301.01	LED	10	3000	100V~240V
AVX2301.02	LED	10	6000	100V~240V



AVX2300.XX

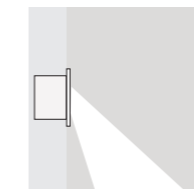


AVX2301.XX

LED Wall recessed light Gecko WA

AVX2202.XX 4W , AVX2203.XX 2W

Gecko WA serves as Wall Recessed Light finished with kinds of aluminum front cover. Uniform and soft lighting distribution. Die casting housing and professional design of heat dissipation ensure LED work normally and continuously. SMD LED makes lighting output wide and warm.
Built in LED driver. $\leq 45^{\circ}\text{C}$ surface temperature allows people touch it.
Widely applied in square, corridor stair and other places.



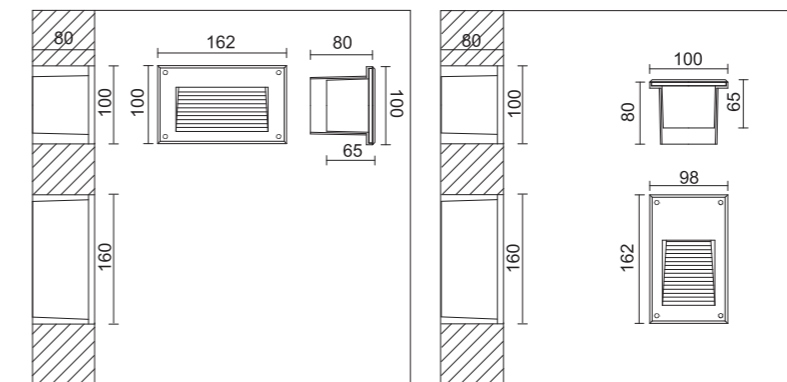
LED Wall recessed light

Technical Data : Die casting aluminum housing
Two kinds of aluminum front cover ring
Quality optical diffuser
Imported silicon rubber ring
High intensity tempered glass
24V.DC input
Stainless steel screws

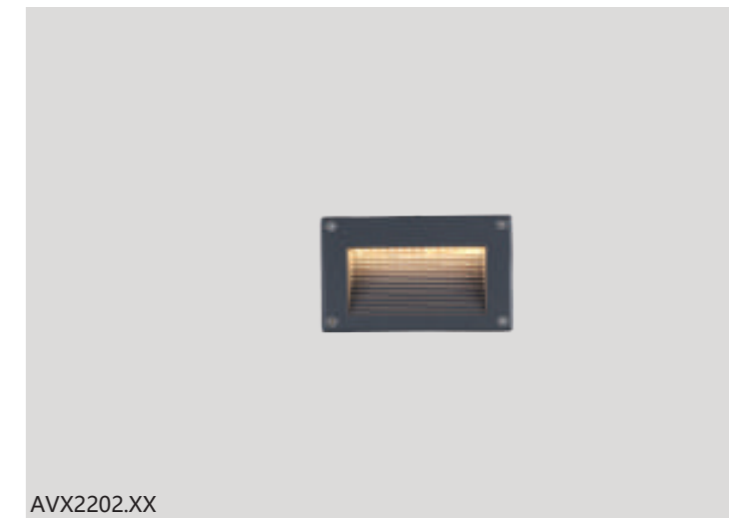
LED : SMD LED
XX: 01=3000K, 08=4000K, 02=6000K
04=Red, 05=Green, 06=Blue, 07=Amber

Protection Rating : IP65

Dimension



Model No.	Lamp	Power(w)	CCT(k)	Voltage
AVX2202.01	LED	4	3000	24V.DC
AVX2202.02	LED	4	6000	24V.DC
AVX2203.01	LED	2	3000	24V.DC
AVX2203.02	LED	2	6000	24V.DC



AVX2202.XX



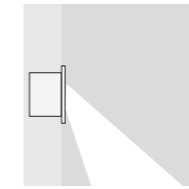
AVX2203.XX

LED Wall Recessed Light Gecko WA

AVX2155.XX 8W

Gecko WA serves as Wall Recessed Light finished with kinds of aluminum front cover. Uniform and soft lighting distribution. Die casting housing and professional design of heat dissipation ensure LED work normally and continuously. SMD LED makes lighting output wide and warm.

Built in LED driver. $\leq 45^{\circ}\text{C}$ surface temperature allows people touch it. Widely applied in square, corridor stair and other places.



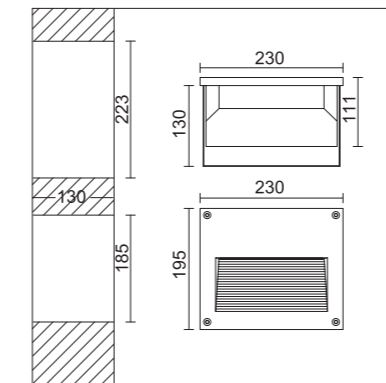
LED Wall recessed light

Technical Data : Die casting aluminum housing
Imported silicon rubber ring
High intensity tempered glass
In built LED driver
Stainless steel screws
Triac dimming and 0-10V dimming are available

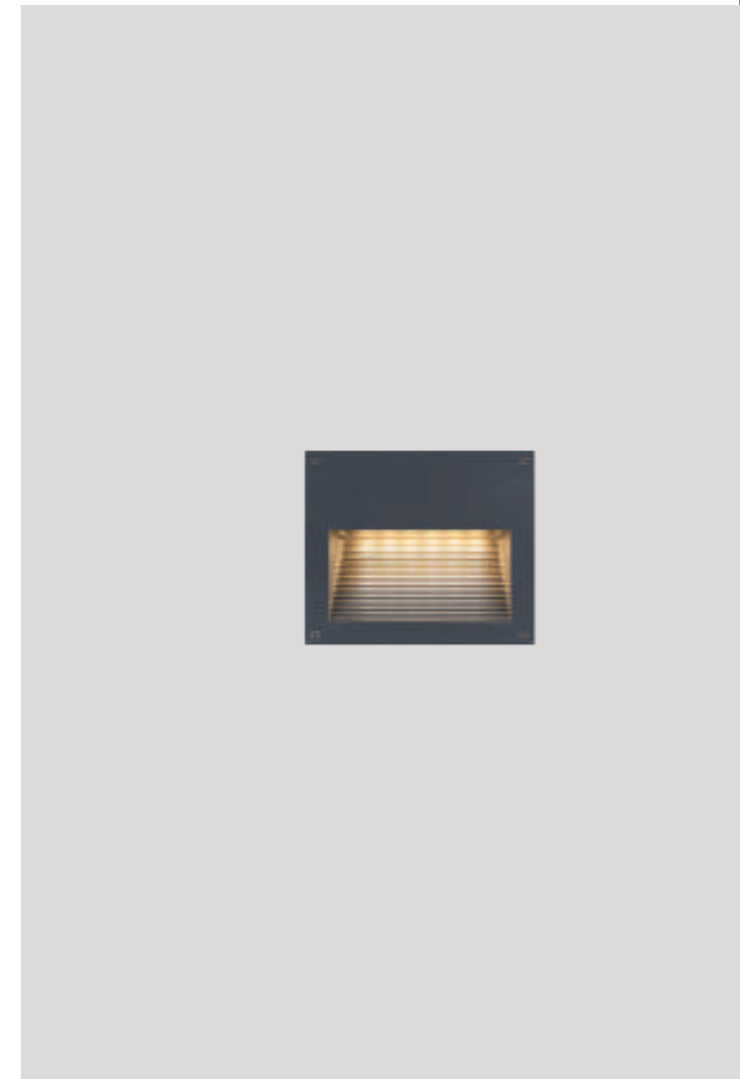
LED : Cree high power led 1w x6
XX: 01=3000K, 08=4000K, 02=6000K
04=Red, 05=Green, 06=Blue, 07=Amber

Protection Rating : IP65

Dimension



Model No.	Lamp	Power(w)	CCT(k)	Voltage
AVX2155.01	LED	8	3000	100V~240V
AVX2155.02	LED	8	6000	100V~240V

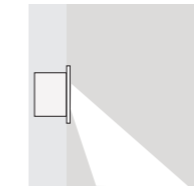


LED Wall Recessed Light Gecko WA

AVX2165.XX 16W

Gecko WA serves as Wall Recessed Light finished with kinds of aluminum front cover. Uniform and soft lighting distribution. Die casting housing and professional design of heat dissipation ensure LED work normally and continuously. SMD LED makes lighting output wide and warm.

Built in LED driver. $\leq 45^{\circ}\text{C}$ surface temperature allows people touch it. Widely applied in square, corridor stair and other places.



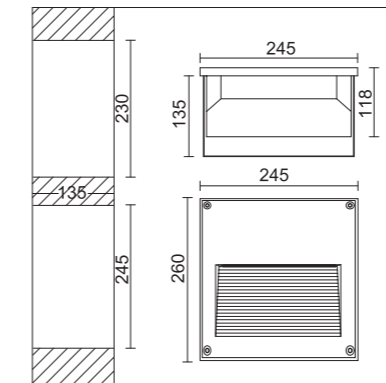
LED Wall Recessed Light

Technical Data : Die casting aluminum housing
Imported silicon rubber ring
High intensity tempered glass
In built LED driver
Stainless steel screws
Triac dimming and 0-10V dimming are available

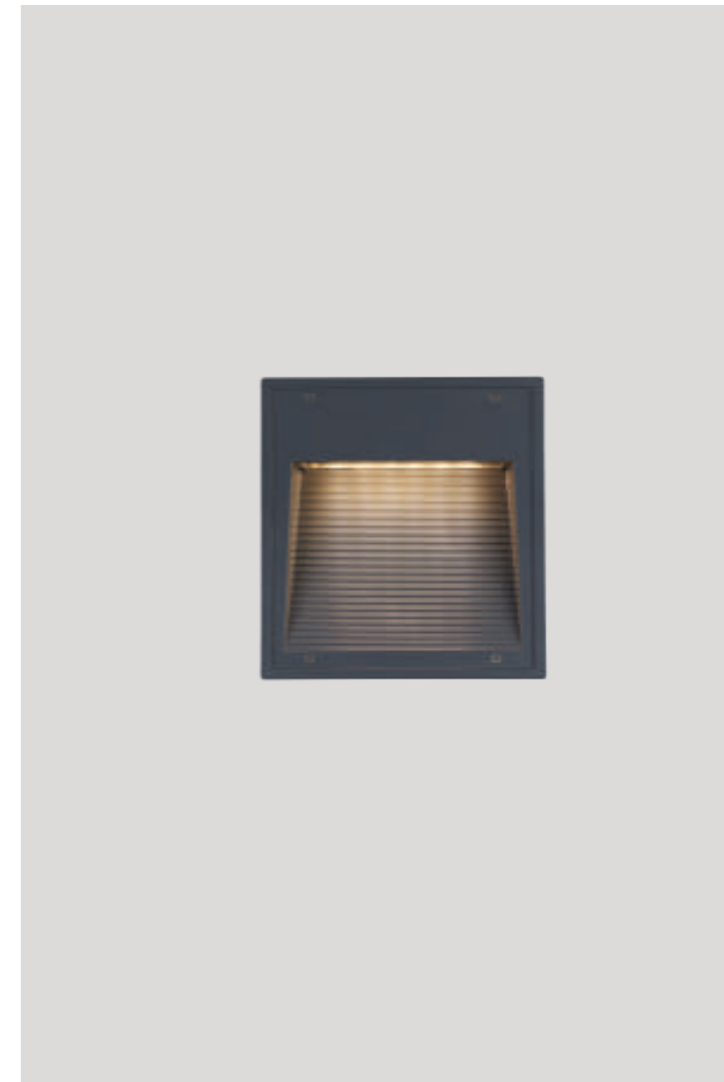
LED: High Power LED AVX2165: 1w x12
XX: 01=3000K, 08=4000K, 02=6000K
04=Red, 05=Green, 06=Blue, 07=Amber

Protection Rating : IP65

Dimension



Model No.	Lamp	Power(w)	CCT(k)	Voltage
AVX2165.01	LED	16	3000	100V~240V
AVX2165.02	LED	16	6000	100V~240V





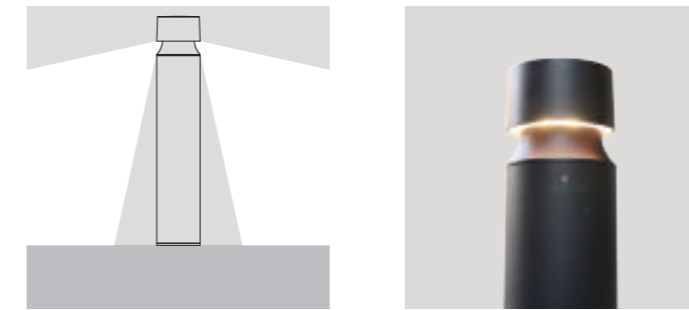
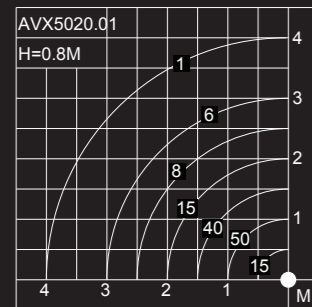
Garden Light Series IP65

LED Bollard Beacon

AVX5020.XX 12W

Luminaire made of aluminum, build in precise optics, 360° lighting output, uniform and anti-glare. Various height for different applications, professional design of heat dissipation, LED and aluminum body fixed tightly. Optimized structure. Longer lifetime, better lighting distribution, less and softer lighting depreciation.

Integral driver, line voltage input directly, applied widely in squares, parks, and walkways lighting.



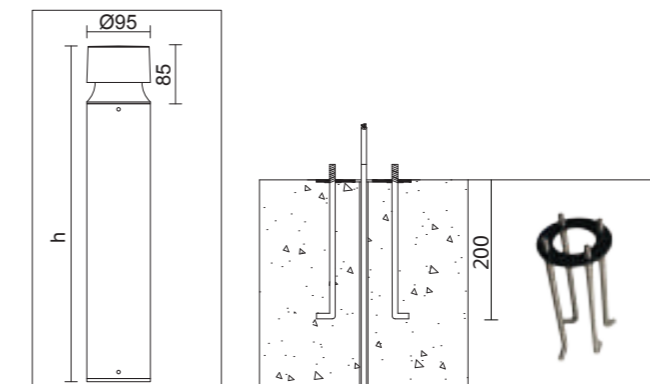
LED Bollard

Technical Data: Die casting aluminum housing
Extruded aluminum pole.
Precise optics
Imported silicon rubber ring
Integral LED driver
Stainless steel screws

LED : High Power LED
XX: 01=3000K, 08=4000K, 02=6000K

Protection Rating : IP65

Dimension



Model No.	Lamp	Power(w)	CCT(k)	Voltage	Height
AVX5020.01	LED	12	3000	100V~240V	800/500
AVX5020.02	LED	12	6000	100V~240V	800/500

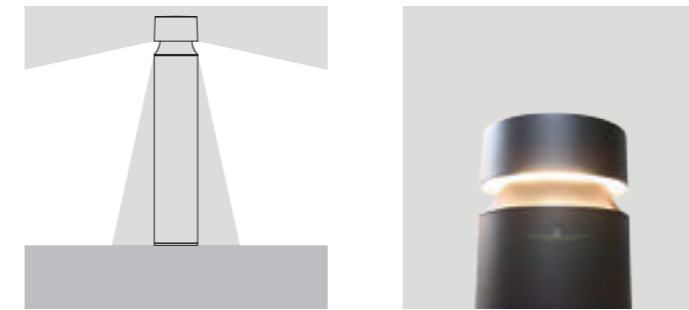
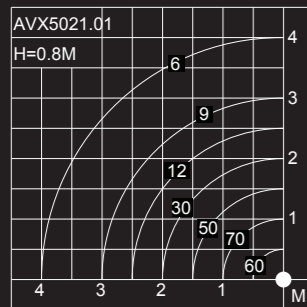


LED Bollard Beacon

AVX5021.XX 22W

Luminaire made of aluminum, build in precise optics, 360° lighting output, uniform and anti-glare. Various height for different applications, professional design of heat dissipation, LED and aluminum body fixed tightly. Optimized structure. Longer lifetime, better lighting distribution, less and softer lighting depreciation.

Integral driver, line voltage input directly, applied widely in squares, parks, and walkways lighting.



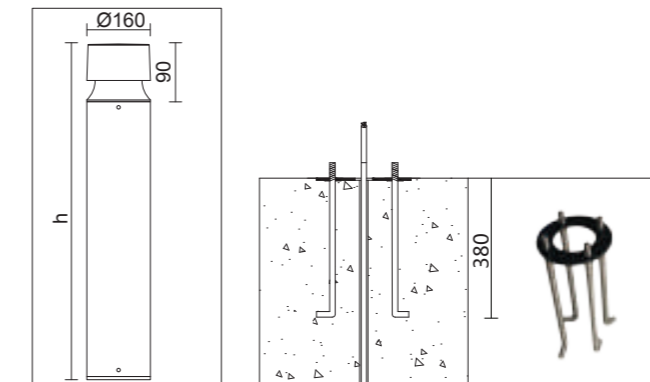
LED Bollard

Technical Data: Die casting aluminum housing
Extruded aluminum pole.
Precise optics
Imported silicon rubber ring
Integral LED driver
Stainless steel screws

LED : High Power LED
XX: 01=3000K, 08=4000K, 02=6000K

Protection Rating : IP65

Dimension



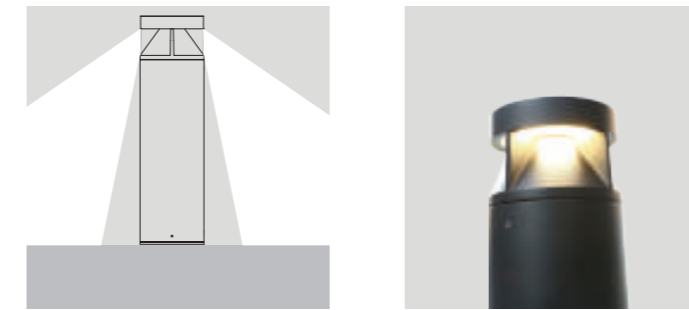
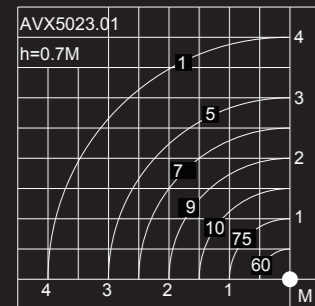
Model No.	Lamp	Power(w)	CCT(k)	Voltage	Height
AVX5021.01	LED	22	3000	100V~240V	800/500
AVX5021.02	LED	22	6000	100V~240V	800/500

LED Bollard Beacon

AVX5023.XX 12W

Luminaire made of aluminum, build in precise optics, 360° lighting output, uniform and anti-glare. Various height for different applications, professional design of heat dissipation, LED and aluminum body fixed tightly. Optimized structure. Longer lifetime, better lighting distribution, less and softer lighting depreciation.

Integral driver, line voltage input directly, applied widely in squares, parks, and walkways lighting.



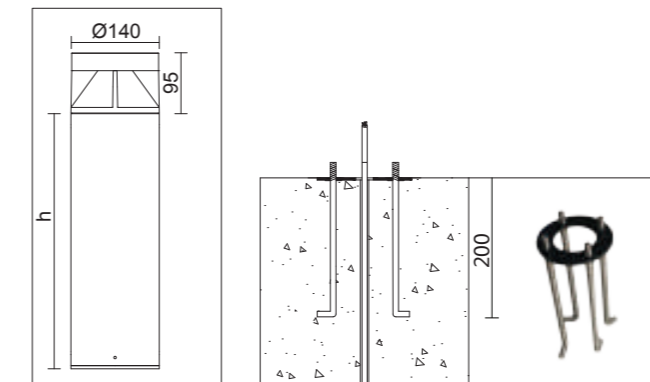
LED Bollard

Technical Data: Die casting aluminum housing
Extruded aluminum pole.
Precise optics
Imported silicon rubber ring
Integral LED driver
Stainless steel screws

LED : Middle Power Led
XX: 01=3000K, 08=4000K, 02=6000K

Protection Rating : IP65

Dimension



Model No.	Lamp	Power(w)	CCT(k)	Voltage	Height
AVX5023.01	LED	12	3000	100V~240V	705/405
AVX5023.02	LED	12	6000	100V~240V	705/405

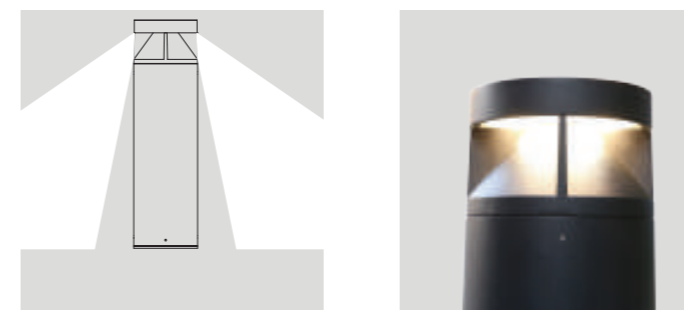
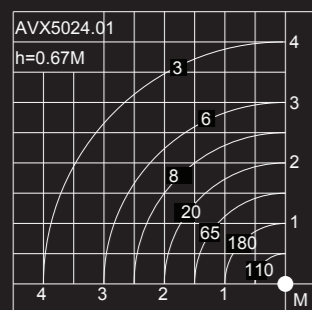


LED Bollard Beacon

AVX5024.XX 26W

Luminaire made of aluminum, build in precise optics, 360° lighting output, uniform and anti-glare. Various height for different applications, professional design of heat dissipation, LED and aluminum body fixed tightly. Optimized structure. Longer lifetime, better lighting distribution, less and softer lighting depreciation.

Integral driver, line voltage input directly, applied widely in squares, parks, and walkways lighting.



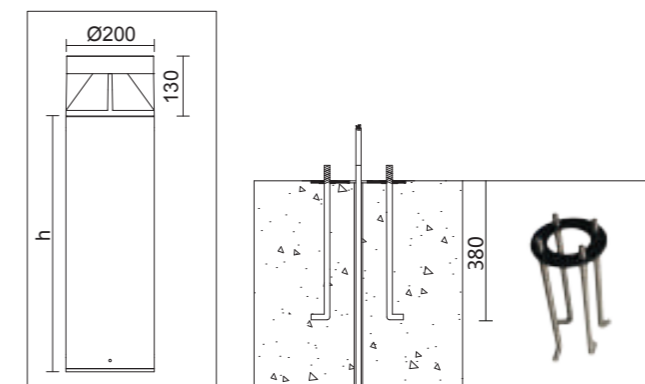
LED Bollard

Technical Data: Die casting aluminum housing
Extruded aluminum pole.
Precise optics
Imported silicon rubber ring
Integral LED driver
Stainless steel screws

LED : Middle Power Led
XX: 01=3000K, 08=4000K, 02=6000K

Protection Rating : IP65

Dimension



Model No.	Lamp	Power(w)	CCT(k)	Voltage	Height
AVX5024.01	LED	26	3000	100V~240V	675/375
AVX5024.02	LED	26	6000	100V~240V	675/375

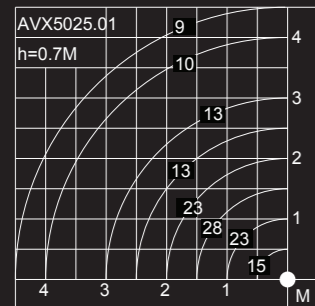


LED Bollard Beacon

AVX5025.XX 12W

Luminaire made of aluminum, build in precise optics, 360° lighting output, uniform and anti-glare. Various height for different applications, professional design of heat dissipation, LED and aluminum body fixed tightly. Optimized structure. Longer lifetime, better lighting distribution, less and softer lighting depreciation.

Integral driver, line voltage input directly, applied widely in squares, parks, and walkways lighting.



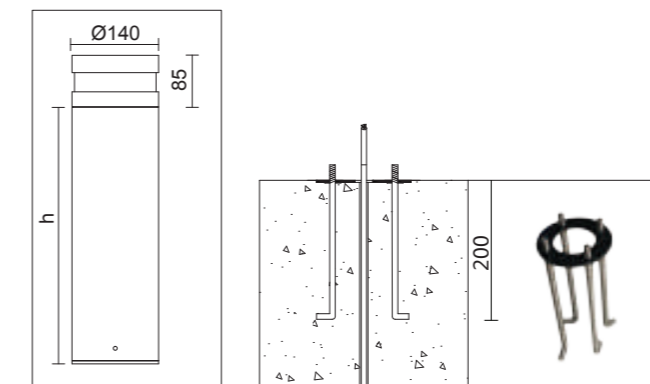
LED Bollard

Technical Data: Die casting aluminum housing
Extruded aluminum pole.
Precise optics
Imported silicon rubber ring
Integral LED driver
Stainless steel screws

LED : Middle Power Led
XX: 01=3000K, 08=4000K, 02=6000K

Protection Rating : IP65

Dimension



Model No.	Lamp	Power(w)	CCT(k)	Voltage	Height
AVX5025.01	LED	12	3000	100V~240V	705/405
AVX5025.02	LED	12	6000	100V~240V	705/405

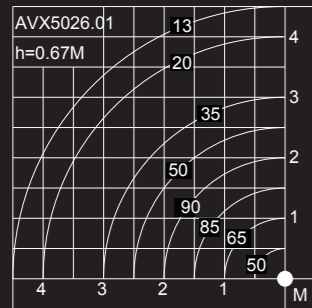


LED Bollard Beacon

AVX5026.XX 26W

Luminaire made of aluminum, build in precise optics, 360° lighting output, uniform and anti-glare. Various height for different applications, professional design of heat dissipation, LED and aluminum body fixed tightly. Optimized structure. Longer lifetime, better lighting distribution, less and softer lighting depreciation.

Integral driver, line voltage input directly, applied widely in squares, parks, and walkways lighting.



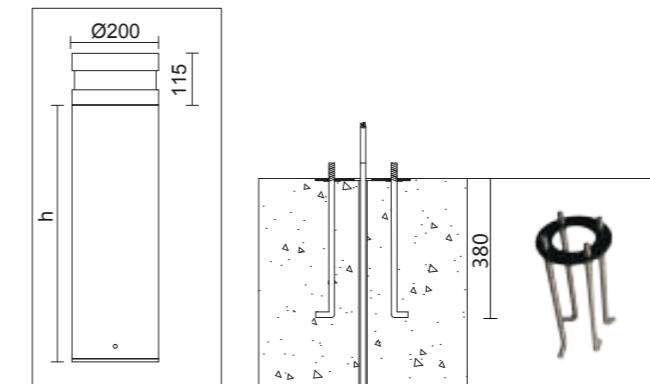
LED Bollard

Technical Data: Die casting aluminum housing
Extruded aluminum pole.
Precise optics
Imported silicon rubber ring
Integral LED driver
Stainless steel screws

LED : Middle Power Led
XX: 01=3000K, 08=4000K, 02=6000K

Protection Rating : IP65

Dimension



Model No.	Lamp	Power(w)	CCT(k)	Voltage	Height
AVX5026.01	LED	26	3000	100V~240V	675/375
AVX5026.02	LED	26	6000	100V~240V	675/375

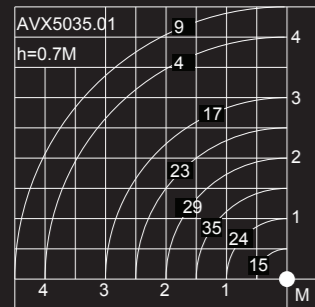


LED Bollard Beacon

AVX5035.XX 6W

Luminaire made of aluminum, build in precise optics, 180° lighting output, uniform and anti-glare. Various height for different applications, professional design of heat dissipation, LED and aluminum body fixed tightly. Optimized structure. Longer lifetime, better lighting distribution, less and softer lighting depreciation.

Integral driver, line voltage input directly, applied widely in squares, parks, and walkways lighting.



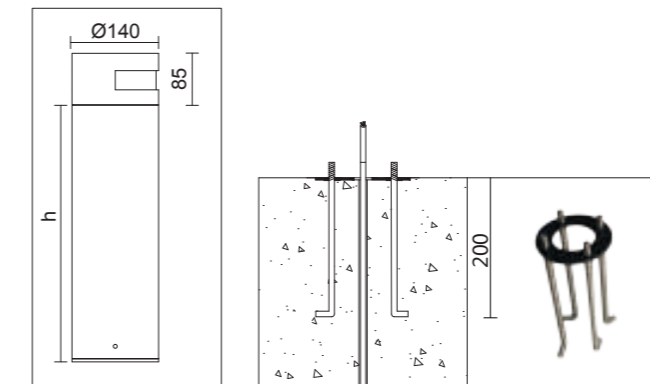
LED Bollard

Technical Data: Die casting aluminum housing
Extruded aluminum pole.
Precise optics
Imported silicon rubber ring
Integral LED driver
Stainless steel screws

LED : Middle Power Led
XX: 01=3000K, 08=4000K, 02=6000K

Protection Rating : IP65

Dimension



Model No.	Lamp	Power(w)	CCT(k)	Voltage	Height
AVX5035.01	LED	6	3000	100V~240V	705/405
AVX5035.02	LED	6	6000	100V~240V	705/405

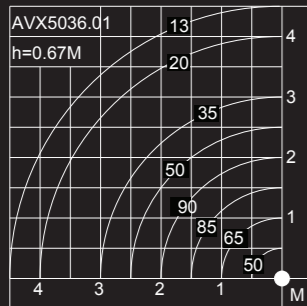


LED Bollard Beacon

AVX5036.XX 15W

Luminaire made of aluminum, built in precise optics, 180° lighting output, uniform and anti-glare. Various height for different applications, professional design of heat dissipation, LED and aluminum body fixed tightly. Optimized structure. Longer lifetime, better lighting distribution, less and softer lighting depreciation.

Integral driver, line voltage input directly, applied widely in squares, parks, and walkways lighting.



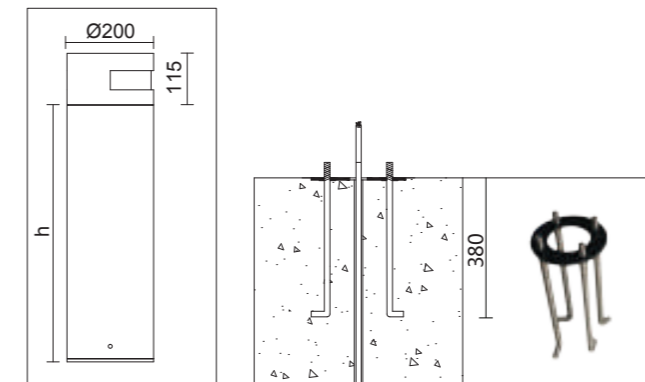
LED Bollard

Technical Data: Die casting aluminum housing
Extruded aluminum pole.
Precise optics
Imported silicon rubber ring
Integral LED driver
Stainless steel screws

LED : Middle Power Led
XX: 01=3000K, 08=4000K, 02=6000K

Protection Rating : IP65

Dimension



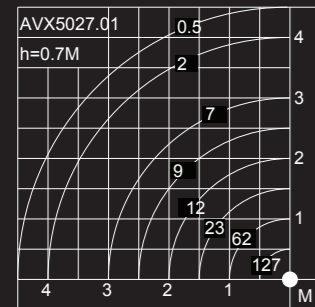
Model No.	Lamp	Power(w)	CCT(k)	Voltage	Height
AVX5036.01	LED	15	3000	100V~240V	675/375
AVX5036.02	LED	15	6000	100V~240V	675/375



LED Bollard Beacon

AVX5027.XX 12W

Luminaire made of aluminum, build in precise optics, 360° lighting output, uniform and anti-glare. Various height for different applications, professional design of heat dissipation, LED and aluminum body fixed tightly. Optimized structure. Longer lifetime, better lighting distribution, less and softer lighting depreciation.
Integral driver, line voltage input directly, applied widely in squares, parks, and walkways lighting.



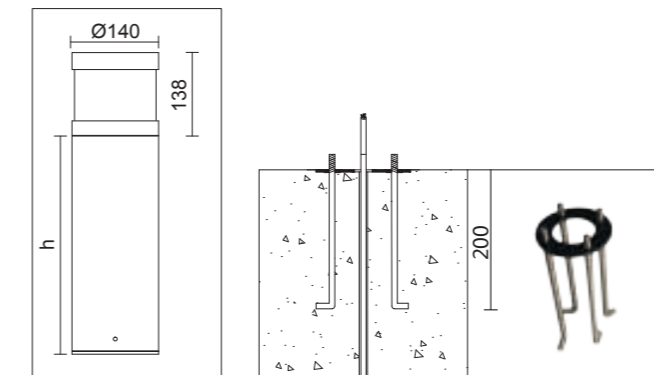
LED Bollard

Technical Data: Die casting aluminum housing
Extruded aluminum pole.
Precise optics
Imported silicon rubber ring
Integral LED driver
Stainless steel screws

LED : Middle Power Led
XX: 01=3000K, 08=4000K, 02=6000K

Protection Rating : IP65

Dimension



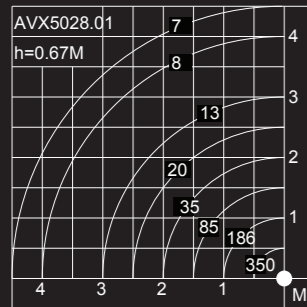
Model No.	Lamp	Power(w)	CCT(k)	Voltage	Height
AVX5027.01	LED	12	3000	100V~240V	705/405
AVX5027.02	LED	12	6000	100V~240V	705/405

LED Bollard Beacon

AVX5028.XX 26W

Luminaire made of aluminum, build in precise optics, 360° lighting output, uniform and anti-glare. Various height for different applications, professional design of heat dissipation, LED and aluminum body fixed tightly. Optimized structure. Longer lifetime, better lighting distribution, less and softer lighting depreciation.

Integral driver, line voltage input directly, applied widely in squares, parks, and walkways lighting.



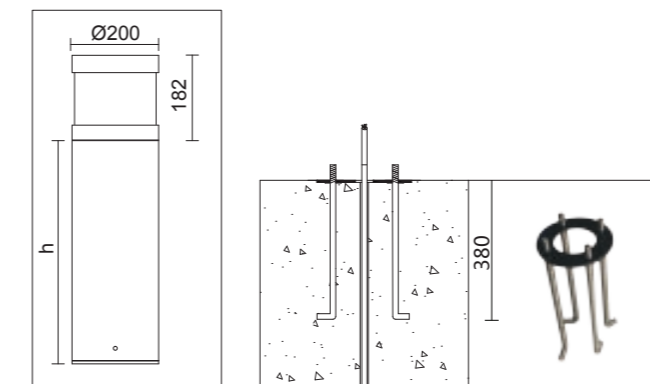
LED Bollard

Technical Data: Die casting aluminum housing
Extruded aluminum pole.
Precise optics
Imported silicon rubber ring
Integral LED driver
Stainless steel screws

LED : Middle Power Led
XX: 01=3000K, 08=4000K, 02=6000K

Protection Rating : IP65

Dimension



Model No.	Lamp	Power(w)	CCT(k)	Voltage	Height
AVX5028.01	LED	26	3000	100V~240V	675/375
AVX5028.02	LED	26	6000	100V~240V	675/375

LED Garden light Beacon

AVX5060.XX 15W

Luminaire made of stainless steel.

Made of high quality stainless steel forming the lamp body, SMD LED and light body heat dissipation structure tightly, LED the better heat conduction to the lamp body, has very good heat dissipation effect, professional heat dissipation analysis makes products LED the power size and the light body size reasonable matching, LED, live longer, more security. For product design of optical light distribution, the product 360° full light around.

Products designed for outdoor landscape architecture lighting design professional lamps and lanterns, apply to the building lighting, green lighting, landscape lighting outdoor lighting in the park.



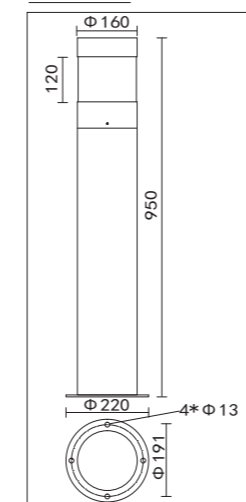
LED Garden light

Technical Data : Stainless steel molding housing
High transmitting reflector
360° lighting beam angle.
Imported silicon rubber ring
High purity PC cover
Constant current driver
SS screws

LED : SMD LED
XX: 01=3000K, 08=4000K, 02=5000K

Protection Rating : IP65

Dimension



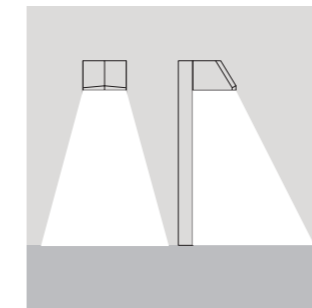
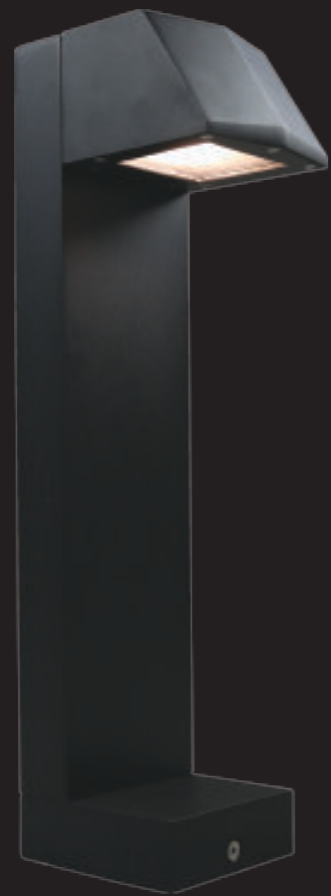
Model No.	Lamp	Luminous Flux(lm)	Power(w)	CCT(k)	Beam angle	Voltage
AVX5060.01	LED	1452	15	3000	360°	100V~240V
AVX5060.08	LED	1560	15	4000	360°	100V~240V
AVX5060.02	LED	1680	15	6000	360°	100V~240V



LED Garden light Beacon

AVX5013.XX 6W

A small version garden light designed with different size and wattage, as well as the lighting distribution for different applications. Die casting aluminum housing and aluminum pole with customized height on specified lighting basis. Optimization of inside heat dissipation makes Beacon longer lifetime, better lighting distribution, less lighting loss. Soft and comfortable. Beacon can be powered with line voltage directly and applied widely in square, park, sides of road or other places.



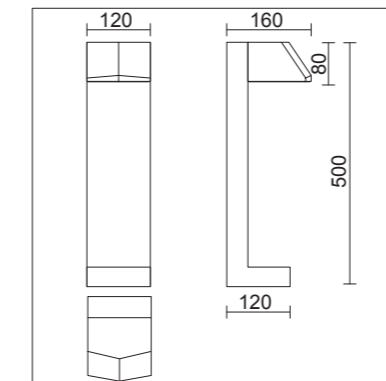
LED Garden light

Technical Data : Die casting aluminum housing
 Extruded aluminum pole
 Imported silicon rubber ring
 High intensity tempered glass
 In built LED driver
 Stainless steel screws
 Triac dimming and 0-10V dimming are available

LED : LED x10
 XX: 01=3000K, 08=4000K, 02=6000K

Protection Rating : IP65

Dimension

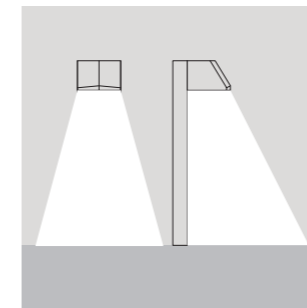
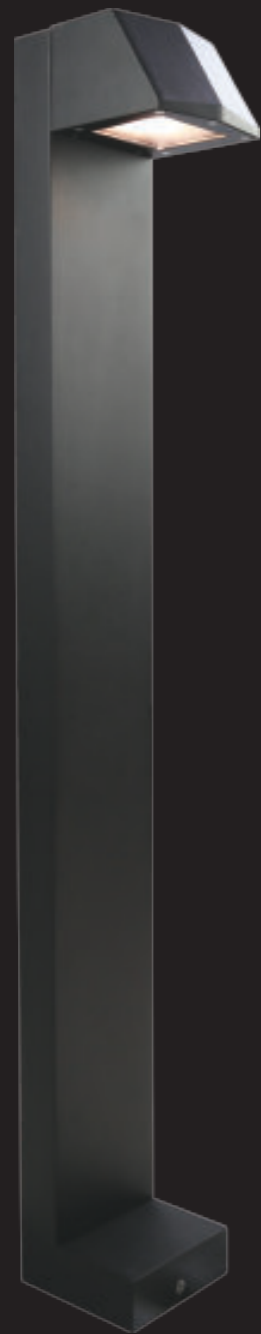


Model No.	Lamp	Power(w)	CCT(k)	Voltage
AVX5013.01	LED	6	3000	100V~240V
AVX5013.02	LED	6	6000	100V~240V

LED Garden light Beacon

AVX5014.XX 6W

A small version garden light designed with different size and wattage, as well as the lighting distribution for different applications. Die casting aluminum housing and aluminum pole with customized height on specified lighting basis. Optimization of inside heat dissipation makes Beacon longer lifetime, better lighting distribution, less lighting loss. Soft and comfortable. Beacon can be powered with line voltage directly and applied widely in square, park, sides of road or other places.



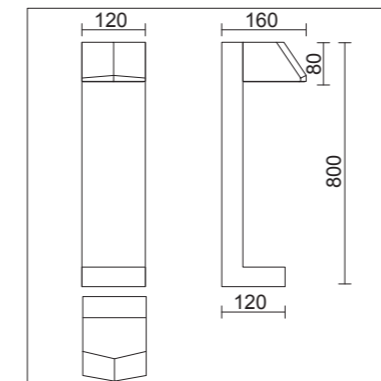
LED Garden light

Technical Data : Die casting aluminum housing
 Extruded aluminum pole
 Imported silicon rubber ring
 High intensity tempered glass
 In built LED driver
 Stainless steel screws
 Triac dimming and 0-10V dimming are available

LED : LED x10
 XX: 01=3000K, 08=4000K, 02=6000K

Protection Rating : IP65

Dimension

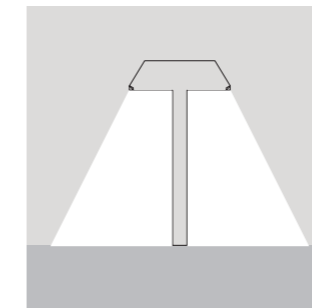


Model No.	Lamp	Power(w)	CCT(k)	Voltage
AVX5014.01	LED	6	3000	100V~240V
AVX5014.02	LED	6	6000	100V~240V

LED Garden light Beacon

AVX5015.XX 7W x2

A small version garden light designed with different size and wattage, as well as the lighting distribution for different applications. Die casting aluminum housing and aluminum pole with customized height on specified lighting basis. Optimization of inside heat dissipation makes Beacon longer lifetime, better lighting distribution, less lighting loss. Soft and comfortable. Beacon can be powered with line voltage directly and applied widely in square, park, sides of road or other places.



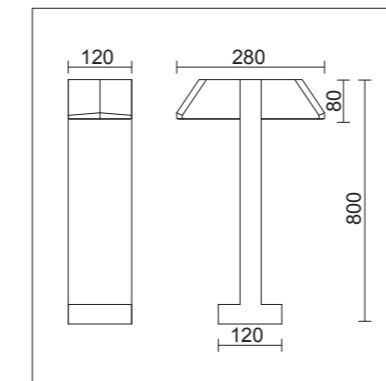
LED Garden light

Technical Data : Die casting aluminum housing
 Extruded aluminum pole
 Imported silicon rubber ring
 High intensity tempered glass
 In built LED driver
 Stainless steel screws
 Triac dimming and 0-10V dimming are available

LED : LED x10 x2
 XX: 01=3000K, 08=4000K, 02=6000K

Protection : IP65

Dimension

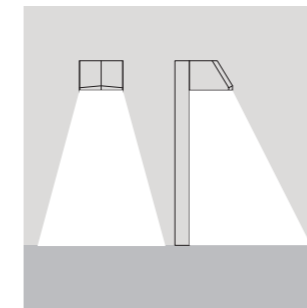


Model No.	Lamp	Power(w)	CCT(k)	Voltage
AVX5015.01	LED	14	3000	100V~240V
AVX5015.02	LED	14	6000	100V~240V

LED Garden light Beacon

AVX5016.XX 17W

A small version garden light designed with different size and wattage, as well as the lighting distribution for different applications. Die casting aluminum housing and aluminum pole with customized height on specified lighting basis. Optimization of inside heat dissipation makes Beacon longer lifetime, better lighting distribution, less lighting loss. Soft and comfortable. Beacon can be powered with line voltage directly and applied widely in square, park, sides of road or other places.



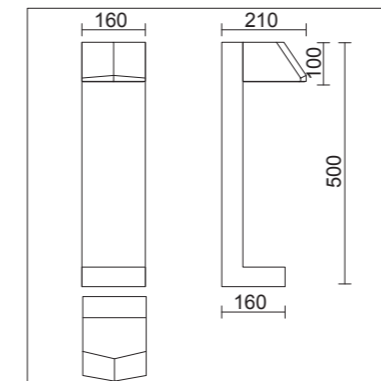
LED Garden light

Technical Data : Die casting aluminum housing
 Extruded aluminum pole
 Imported silicon rubber ring
 High intensity tempered glass
 In built LED driver
 Stainless steel screws
 Triac dimming and 0-10V dimming are available

LED : LED x26
 XX: 01=3000K, 08=4000K, 02=6000K

Protection Rating : IP65

Dimension



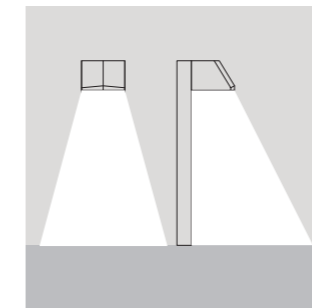
Model No.	Lamp	Power(w)	CCT(k)	Voltage
AVX5016.01	LED	17	3000	100V~240V
AVX5016.02	LED	17	6000	100V~240V



LED Garden light Beacon

AVX5017.XX 17W

A small version garden light designed with different size and wattage, as well as the lighting distribution for different applications. Die casting aluminum housing and aluminum pole with customized height on specified lighting basis. Optimization of inside heat dissipation makes Beacon longer lifetime, better lighting distribution, less lighting loss. Soft and comfortable. Beacon can be powered with line voltage directly and applied widely in square, park, sides of road or other places.



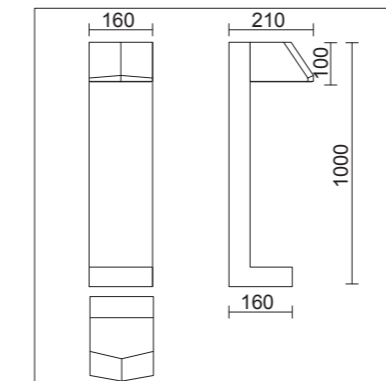
LED Garden light

Technical Data : Die casting aluminum housing
 Extruded aluminum pole
 Imported silicon rubber ring
 High intensity tempered glass
 In built LED driver
 Stainless steel screws
 Triac dimming and 0-10V dimming are available

LED : LED x26
 XX: 01=3000K, 08=4000K, 02=6000K

Protection Rating : IP65

Dimension



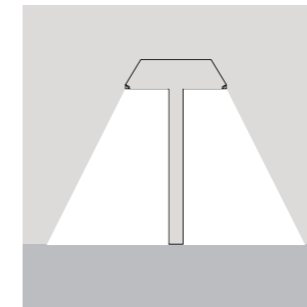
Model No.	Lamp	Power(w)	CCT(k)	Voltage
AVX5017.01	LED	17	3000	100V~240V
AVX5017.02	LED	17	6000	100V~240V



LED Garden light Beacon

AVX5018.XX 17W x2

A small version garden light designed with different size and wattage, as well as the lighting distribution for different applications. Die casting aluminum housing and aluminum pole with customized height on specified lighting basis. Optimization of inside heat dissipation makes Beacon longer lifetime, better lighting distribution, less lighting loss. Soft and comfortable. Beacon can be powered with line voltage directly and applied widely in square, park, sides of road or other places.



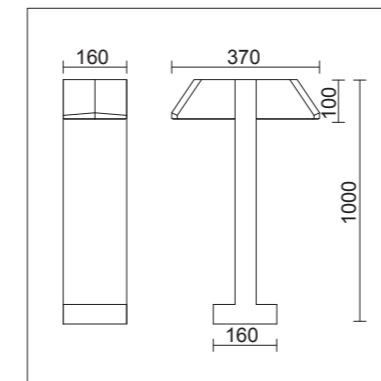
LED Garden light

Technical Data : Die casting aluminum housing
 Extruded aluminum pole
 Imported silicon rubber ring
 High intensity tempered glass
 In built LED driver
 Stainless steel screws
 Triac dimming and 0-10V dimming are available

LED : LED x26x2
 XX: 01=3000K, 08=4000K, 02=6000K

Protection Rating : IP65

Dimension

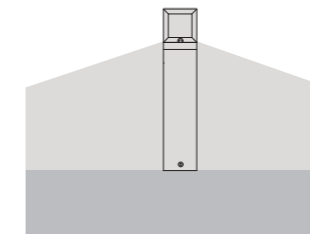


Model No.	Lamp	Power(w)	CCT(k)	Voltage
AVX5018.01	LED	34	3000	100V~240V
AVX5018.02	LED	34	6000	100V~240V

LED Garden light Beacon

AVX5019.XX 7W

These garden light and pathway luminaires with unshielded light are available in two heights to meet a variety of different lighting requirements. The luminaires have a square layout. A striking frame encompasses the thick-walled luminaire glass without impairing the light emission. Integral driver, line voltage input directly, applied widely in squares, parks, and walkways lighting.



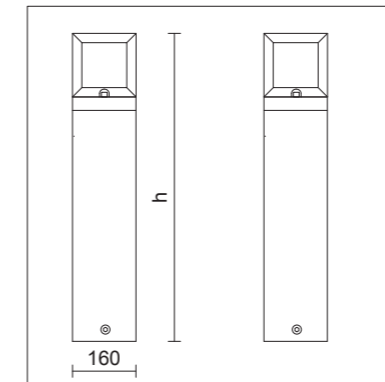
LED Garden light

Technical Data : Die casting aluminum housing
 Extruded aluminum pole
 Imported silicon rubber ring
 High intensity tempered glass
 In built LED driver
 Stainless steel screws
 Triac dimming and 0-10V dimming are available

LED : COB LED 7W
 XX: 01=3000K, 08=4000K, 02=5000K

Protection Rating : IP65

Dimension



Model No.	Lamp	Power(w)	CCT(k)	Voltage	h
AVX5019.01	LED	7	3000	100V~240V	800/500
AVX5019.02	LED	7	5000	100V~240V	800/500



LED Garden light Beacon

AVX5001.XX 5W

A small version garden light designed with different size and wattage, as well as the lighting distribution for different applications. Die casting aluminum housing and aluminum pole with customized height on specified lighting basis. Optimization of inside heat dissipation makes Beacon longer lifetime, better lighting distribution, less lighting loss. Soft and comfortable. Beacon can be powered with line voltage directly and applied widely in square, park, sides of road or other places.



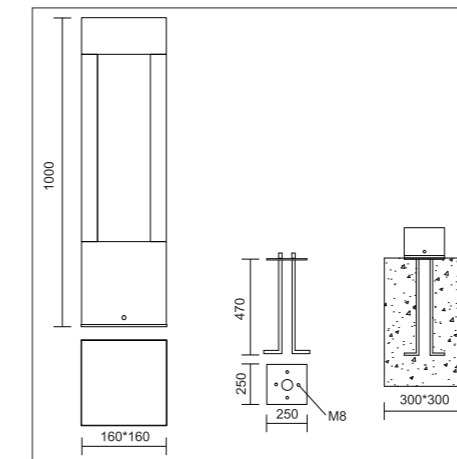
LED Garden light

Technical Data : Die casting aluminum housing
 Extruded aluminum pole
 Imported silicon rubber ring
 High intensity tempered glass
 In built LED driver
 Stainless steel screws
 Triac dimming and 0-10V dimming are available

LED : COB LED
 XX: 01=3000K, 08=4000K, 02=5000K

Protection Rating : IP65

Dimension



Model No.	Lamp	Power(w)	CCT(k)	Voltage
AVX5001.01	LED	5	3000	100V~240V
AVX5001.02	LED	5	5000	100V~240V



LED Garden light Beacon

AVX5005.XX 15W

A medium version garden light with square pole, designed with different size and wattage, as well as the lighting distribution for different applications.

Die casting aluminum housing and aluminum pole with customized height on specified lighting basis. Optimization of inside heat dissipation makes Beacon longer lifetime, better lighting distribution, less lighting loss. Soft and comfortable.

Beacon can be powered with line voltage directly and applied widely in square, park, sides of road or other places.



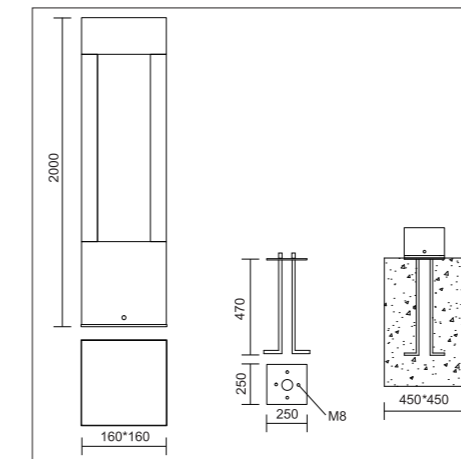
LED Garden light

Technical Data : Die casting aluminum housing
 Extruded aluminum pole
 Imported silicon rubber ring
 High intensity tempered glass
 In built LED driver
 Stainless steel screws
 Triac dimming and 0-10V dimming are available

LED : COB LED
 XX: 01=3000K, 08=4000K, 02=5000K

Protection Rating : IP65

Dimension



Model No.	Lamp	Power(w)	CCT(k)	Voltage
AVX5005.01	LED	15	3000	100V~240V
AVX5005.02	LED	15	5000	100V~240V

LED Garden light Beacon

AVX5009.XX 15W

A medium version garden light with square pole, designed with different size and wattage, as well as the lighting distribution for different applications.

Die casting aluminum housing and aluminum pole with customized height on specified lighting basis. Optimization of inside heat dissipation makes Beacon longer lifetime, better lighting distribution, less lighting loss. Soft and comfortable.

Beacon can be powered with line voltage directly and applied widely in square, park, sides of road or other places.



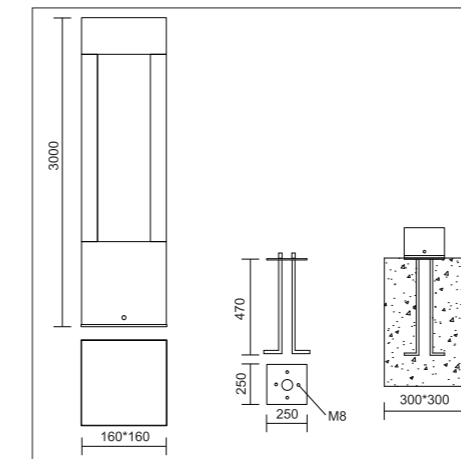
LED Garden light

Technical Data : Die casting aluminum housing
 Extruded aluminum pole
 Imported silicon rubber ring
 High intensity tempered glass
 In built LED driver
 Stainless steel screws
 Triac dimming and 0-10V dimming are available

LED : COB LED
 XX: 01=3000K, 08=4000K, 02=5000K

Protection Rating : IP65

Dimension

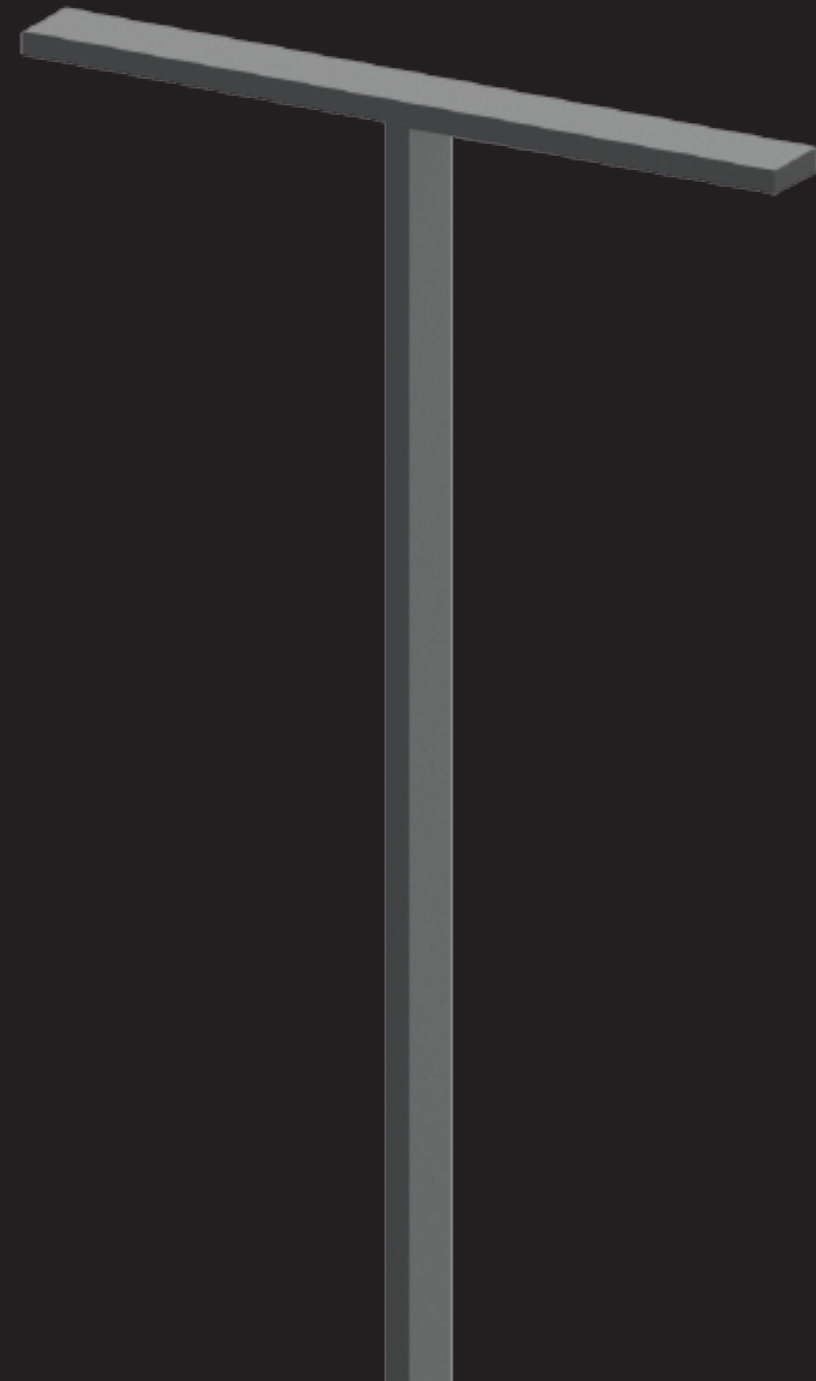


Model No.	Lamp	Power(w)	CCT(k)	Voltage
AVX5009.01	LED	15	3000	100V~240V
AVX5009.02	LED	15	5000	100V~240V

LED Garden light Beacon

AVX5055.XX 30W, AVX5056.XX 30W x2

Light building elements are luminous design elements for public areas. They are particularly suitable for dividing and structuring outdoor spaces. They can be used to guide or lead people and vehicles. Their attention-drawing power is considerably greater than that of pole-top luminaires. Light building elements can be used to serve the architectonic structure or to highlight it spectacularly.



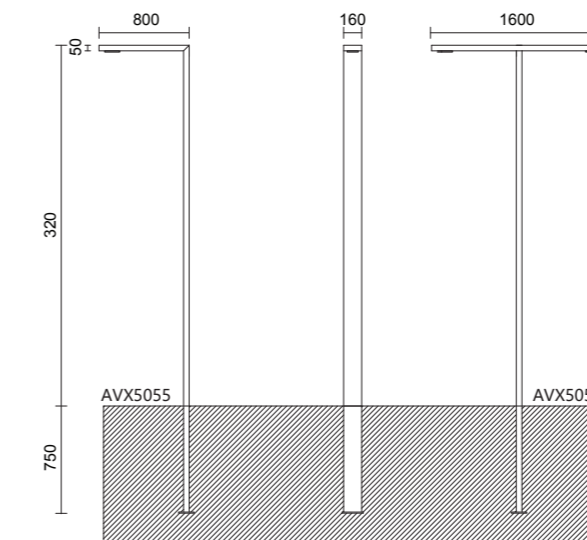
LED Garden light

Technical Data : Die casting aluminum housing
 Extruded aluminum pole
 Imported silicon rubber ring
 High intensity tempered glass
 In built LED driver
 Stainless steel screws
 Triac dimming and 0-10V dimming are available

LED: LED AVX5055.XX 30W, AVX5056.XX 30W x2
 XX: 01=3000K, 08=4000K, 02=5000K

Protection Rating : IP65

Dimension



Model No.	Lamp	Power(w)	CCT(k)	Voltage
AVX5055.01	LED	30	3000	100V~240V
AVX5055.02	LED	30	5000	100V~240V
AVX5056.01	LED	60	3000	100V~240V
AVX5056.02	LED	60	5000	100V~240V

LED Garden light Beacon

AVX5058.XX 40W

Light building elements with wide beam light distribution for a high degree of illuminance on the ground surface. These are luminous design elements for public areas. They can be used to guide or lead people and vehicles. Their attention-drawing power is considerably greater than that of led garden light . Light building elements can be used to serve the architectonic structure or even to highlight it spectacularly.



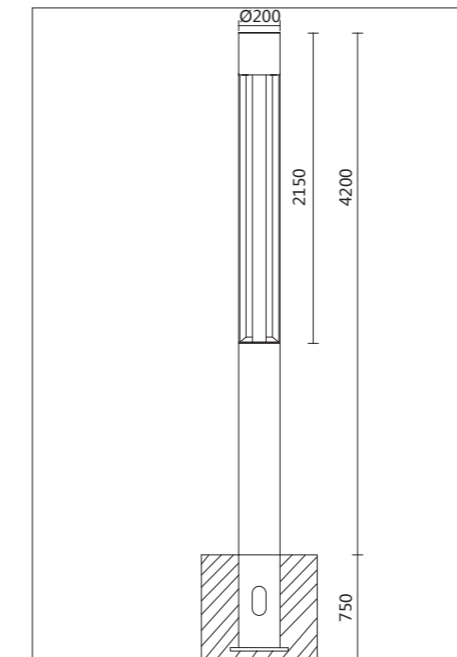
LED Garden light

Technical Data : Die casting aluminum housing
Extruded aluminum pole
Imported silicon rubber ring
High intensity tempered glass
In built LED driver
Stainless steel screws
Triac dimming and 0-10V dimming are available

LED : COB LED
XX: 01=3000K, 08=4000K, 02=5000K

Protection Rating : IP65

Dimension



Model No.	Lamp	Power(w)	CCT(k)	Voltage
AVX5058.01	LED	40	3000	100V~240V
AVX5058.02	LED	40	5000	100V~240V

LED High Pole Garden Light Beacon

AVX5038.XX 43W, AVX5040.XX 86W

One version of high pole garden light, various and different style pole make it outstanding and attractive. Two kinds of power for different application.

Customized LED with aluminum nitride package and completed with professional structure of heat dissipation make lighting output zero loss in 6000 hours. Bird-cage heat sink manages all heat dissipate out and keeps LED operate stably.

Applied widely in square, park, sides of road or other places.



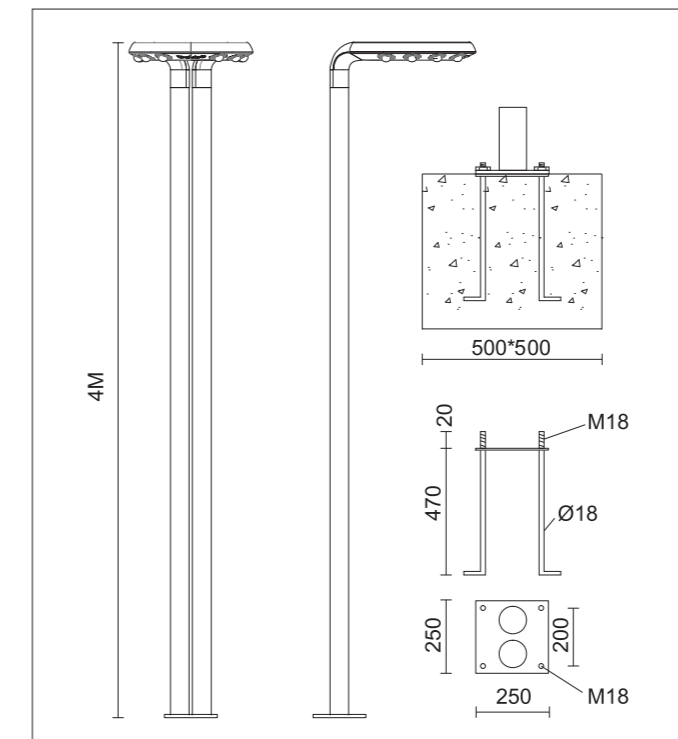
LED High pole garden light

Technical Data : Die casting aluminum housing
 Precise customized optical lens
 High transmitting PC cover
 In built LED driver
 Stainless steel screws
 Triac dimming and 0-10V dimming are available

LED: High Power LED AVX5038.XX 5w x8; AVX5040.XX 10w x8
 XX: 01=3000K, 08=4000K

Protection Rating : IP65

Dimension



Model No.	Lamp	Luminous Flux (lm)	Power(w)	CCT(k)	Voltage
AVX5038.01	LED	3200	43	3000	100V~240V
AVX5038.08	LED	4000	43	4000	100V~240V
AVX5040.01	LED	6400	86	3000	100V~240V
AVX5040.08	LED	8000	86	4000	100V~240V

LED High Pole Garden Light Beacon

AVX5042.XX 86W, AVX5043.XX 172W

One version of high pole garden light, various and different style pole make it outstanding and attractive. Two kinds of power for different application.
 Customized LED with aluminum nitride package and completed with professional structure of heat dissipation make lighting output zero loss in 6000 hours. Bird-cage heat sink manages all heat dissipate out and keeps LED operate stably.
 Applied widely in square, park, sides of road or other places.



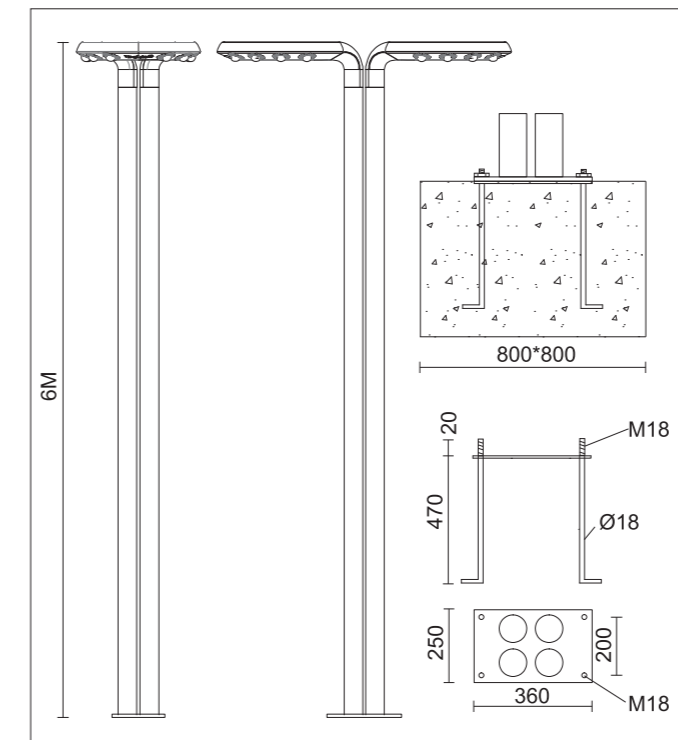
LED High pole garden light

Technical Data : Die casting aluminum housing
 Precise customized optical lens
 High transmitting PC cover
 In built LED driver
 Stainless steel screws
 Triac dimming and 0-10V dimming are available

LED: High Pwoer LED AVX5042 5w x8x2; AVX5043 10w x8 x2
 XX: 01=3000K, 08=4000K

Protection Rating : IP65

Dimension



Model No.	Lamp	Luminous Flux (lm)	Power(w)	CCT(k)	Voltage
AVX5042.01	LED	6400	86	3000	100V~240V
AVX5042.08	LED	8000	86	4000	100V~240V
AVX5043.01	LED	12800	172	3000	100V~240V
AVX5043.08	LED	16000	172	4000	100V~240V

LED High Pole Garden Light Beacon

AVX5030.XX 22W, AVX5032.XX 56W

One version of high pole garden light, various and different style pole make it outstanding and attractive. Two kinds of power for different application.
 Customized LED with aluminum nitride package and completed with professional structure of heat dissipation make lighting output zero loss in 6000 hours. Bird-cage heat sink manages all heat dissipate out and keeps LED operate stably.
 Applied widely in square, park, sides of road or other places.



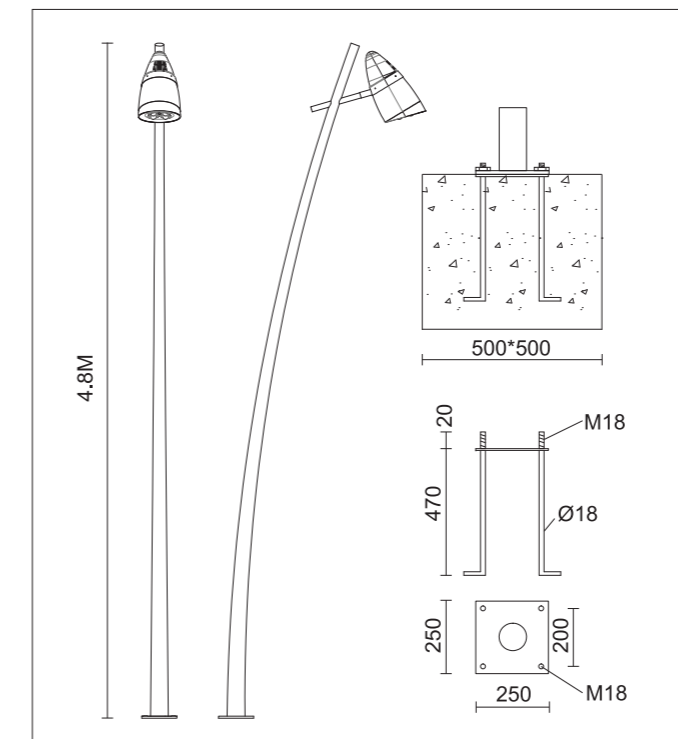
LED High pole garden light

Technical Data : Die casting aluminum housing
 Precise customized optical lens
 High transmitting PC cover
 In built LED driver
 Stainless steel screws
 Triac dimming and 0-10V dimming are available

LED: High Pwoer LED AVX5030.XX 5w x4; AVX5032.XX 10w x4
 XX: 01=3000K, 08=4000K

Protection Rating : IP65

Dimension

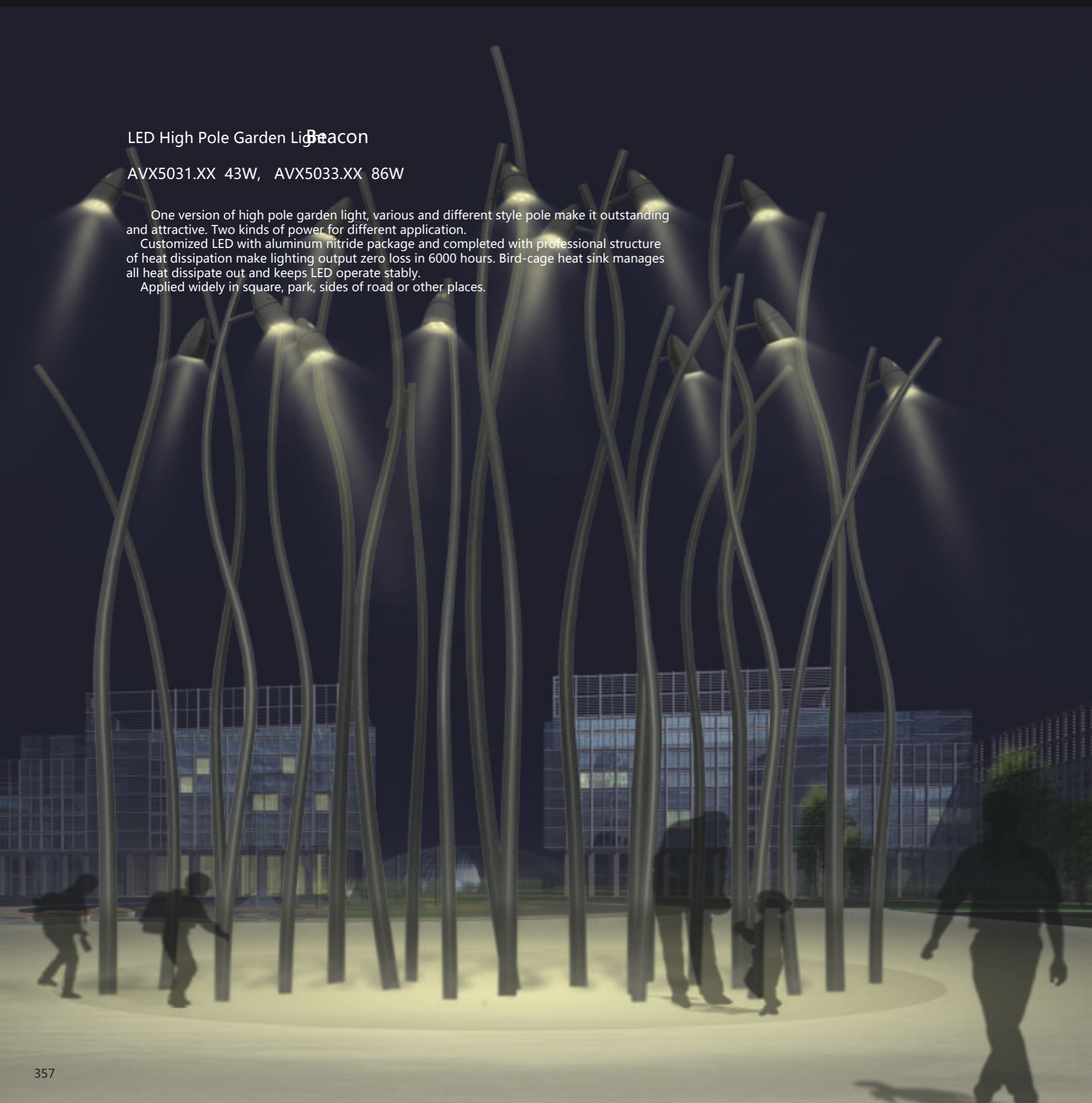


Model No.	Lamp	Luminous Flux (lm)	Power(w)	CCT(k)	Voltage
AVX5030.01	LED	1600	22	3000	100V~240V
AVX5030.08	LED	2000	22	4000	100V~240V
AVX5032.01	LED	3200	56	3000	100V~240V
AVX5032.08	LED	4000	56	4000	100V~240V

LED High Pole Garden Light Beacon

AVX5031.XX 43W, AVX5033.XX 86W

One version of high pole garden light, various and different style pole make it outstanding and attractive. Two kinds of power for different application. Customized LED with aluminum nitride package and completed with professional structure of heat dissipation make lighting output zero loss in 6000 hours. Bird-cage heat sink manages all heat dissipate out and keeps LED operate stably. Applied widely in square, park, sides of road or other places.



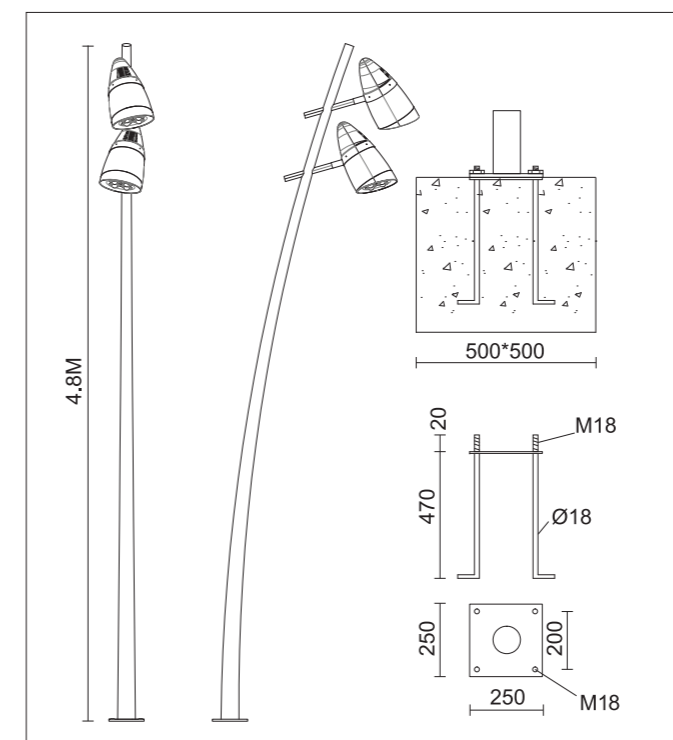
LED High pole garden light

Technical Data : Die casting aluminum housing
 Precise customized optical lens
 High transmitting PC cover
 In built LED driver
 Stainless steel screws
 Triac dimming and 0-10V dimming are available

LED: High Power LED AVX5031.XX 5w x4x2; AVX5033.XX 10w x4x2
 XX: 01=3000K, 08=4000K

Protection Rating : IP65

Dimension



Model No.	Lamp	Luminous Flux (lm)	Power(w)	CCT(k)	Voltage
AVX5031.01	LED	3200	43	3000	100V~240V
AVX5031.08	LED	4000	43	4000	100V~240V
AVX5033.01	LED	6400	86	3000	100V~240V
AVX5033.08	LED	8000	86	4000	100V~240V

LED High Pole Garden Light Beacon

AVX5045.XX 65W, AVX5046.XX 128W

One version of high pole garden light, various and different style pole make it outstanding and attractive. Two kinds of power for different application.
 Customized LED with aluminum nitride package and completed with professional structure of heat dissipation make lighting output zero loss in 6000 hours. Bird-cage heat sink manages all heat dissipate out and keeps LED operate stably.
 Applied widely in square, park, sides of road or other places.



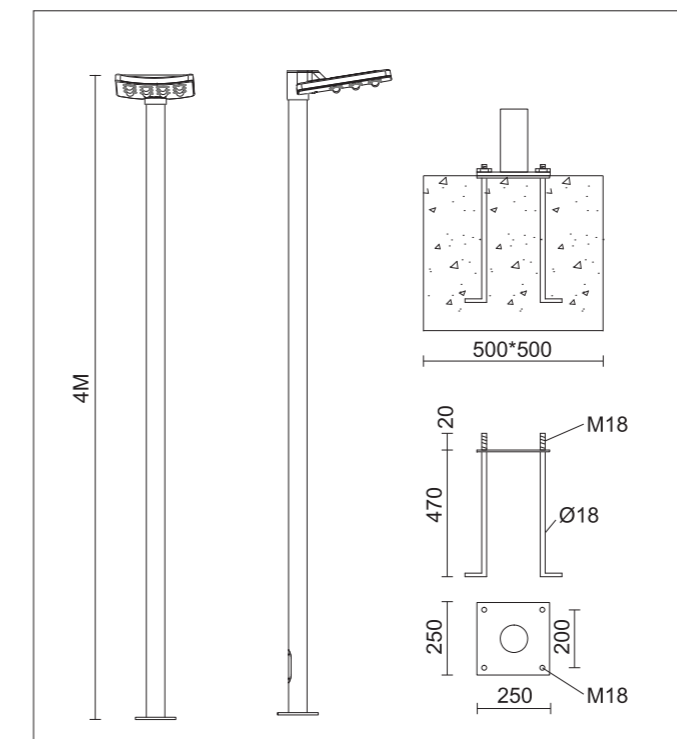
LED High pole garden light

Technical Data : Die casting aluminum housing
 Precise customized optical lens
 High transmitting PC cover
 In built LED driver
 Stainless steel screws
 Triac dimming and 0-10V dimming are available

LED: High Pwoer LED AVX5045.XX 5w x12; AVX5046.XX 10w x12
 XX: 01=3000K, 08=4000K

Protection Rating : IP65

Dimension



Model No.	Lamp	Luminous Flux(lm)	Power(w)	CCT(k)	Voltage
AVX5045.01	LED	4800	65	3000	100V~240V
AVX5045.08	LED	5200	65	4000	100V~240V
AVX5046.01	LED	9600	128	3000	100V~240V
AVX5046.08	LED	10200	128	4000	100V~240V

LED High Pole Garden Light Beacon

AVX5049.XX 22W, AVX5050.XX 56W

One version of high pole garden light, various and different style pole make it outstanding and attractive. Two kinds of power for different application.
 Customized LED with aluminum nitride package and completed with professional structure of heat dissipation make lighting output zero loss in 6000 hours. Bird-cage heat sink manages all heat dissipate out and keeps LED operate stably.
 Applied widely in square, park, sides of road or other places.



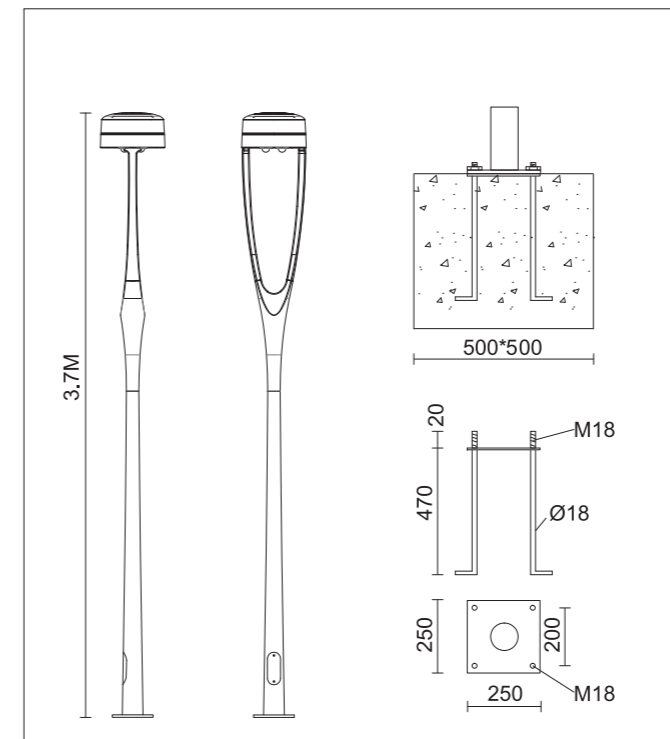
LED High pole garden light

Technical Data : Die casting aluminum housing
 Precise customized optical lens
 High transmitting PC cover
 In built LED driver
 Stainless steel screws
 Triac dimming and 0-10V dimming are available

LED: High Power LED AVX5049.XX 5w x4; AVX5050.XX 10w x4
 XX: 01=3000K, 08=4000K

Protection Rating : IP65

Dimension



Model No.	Lamp	Luminous Flux(lm)	Power(w)	CCT(k)	Voltage
AVX5049.01	LED	1600	22	3000	100V~240V
AVX5049.08	LED	2000	22	4000	100V~240V
AVX5050.01	LED	3200	56	3000	100V~240V
AVX5050.08	LED	4000	56	4000	100V~240V

LED High Pole Garden Light Beacon

AVX5053.XX 18W

One version of high pole garden light, various and different style pole make it outstanding and attractive. Two kinds of power for different application.
 Customized LED with aluminum nitride package and completed with professional structure of heat dissipation make lighting output zero loss in 6000 hours. Bird-cage heat sink manages all heat dissipate out and keeps LED operate stably.
 Applied widely in square, park, sides of road or other places.



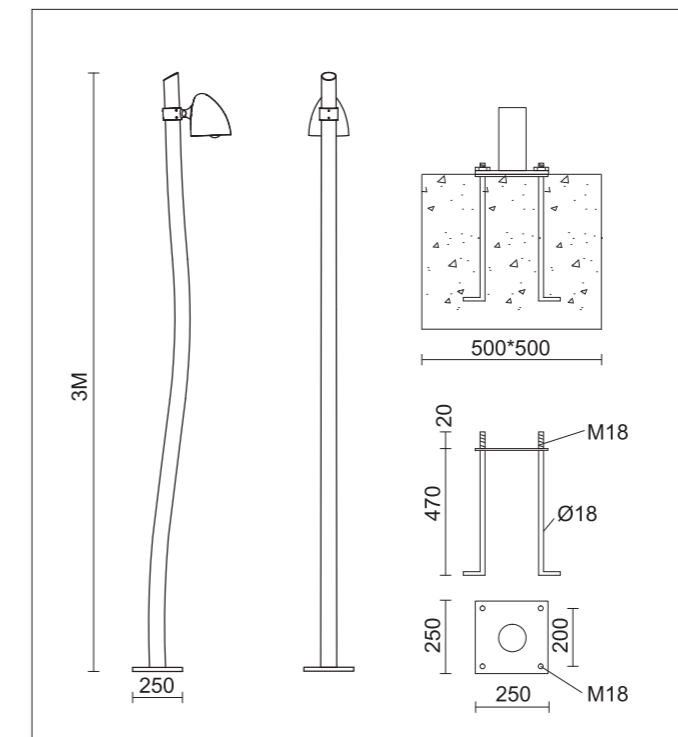
LED High pole garden light

Technical Data : Die casting aluminum housing
 Precise customized optical lens
 High transmitting PC cover
 In built LED driver
 Stainless steel screws
 Triac dimming and 0-10V dimming are available

LED: High Pwoer LED AVX5053.XX 15w x1
 XX: 01=3000K, 08=4000K

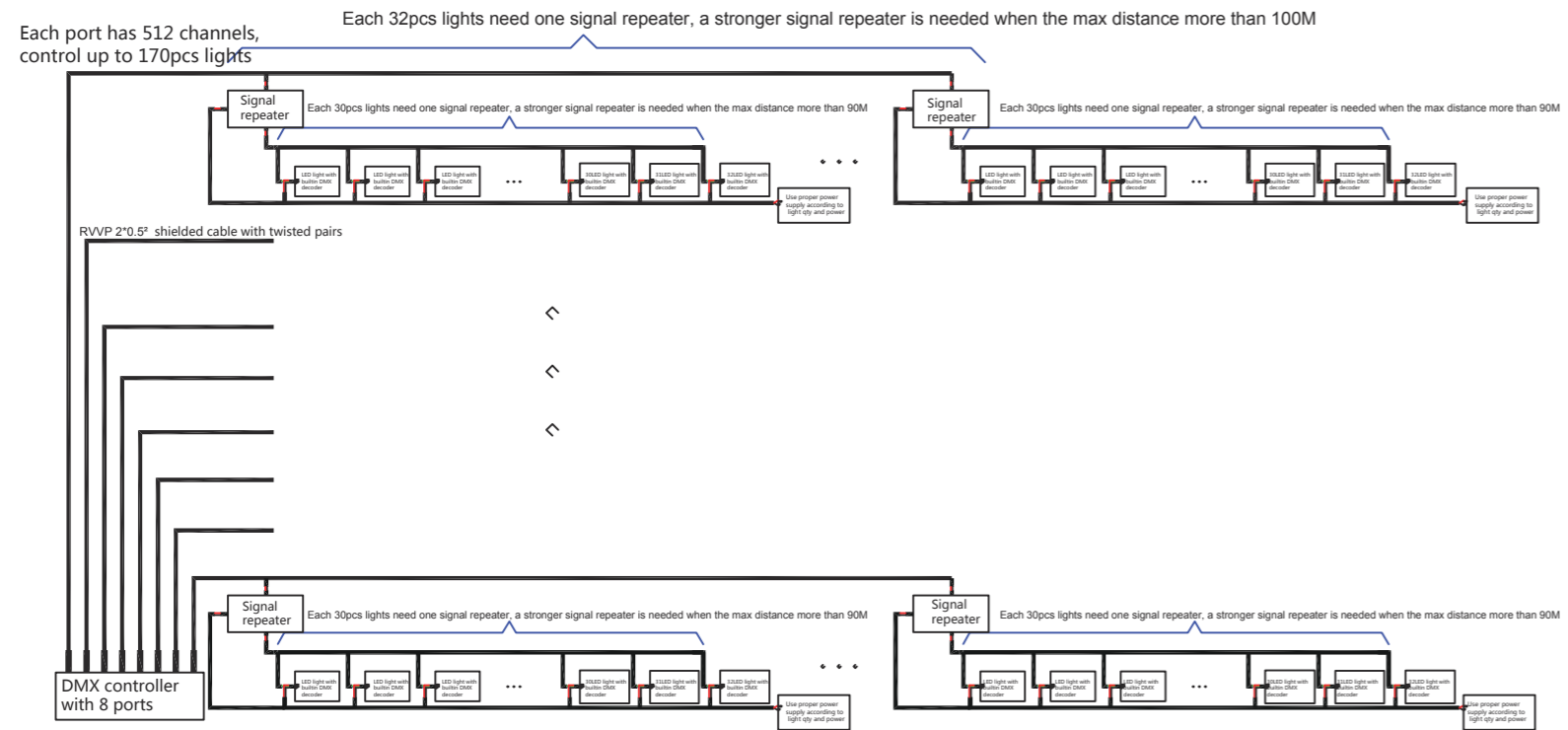
Protection Rating : IP65

Dimension

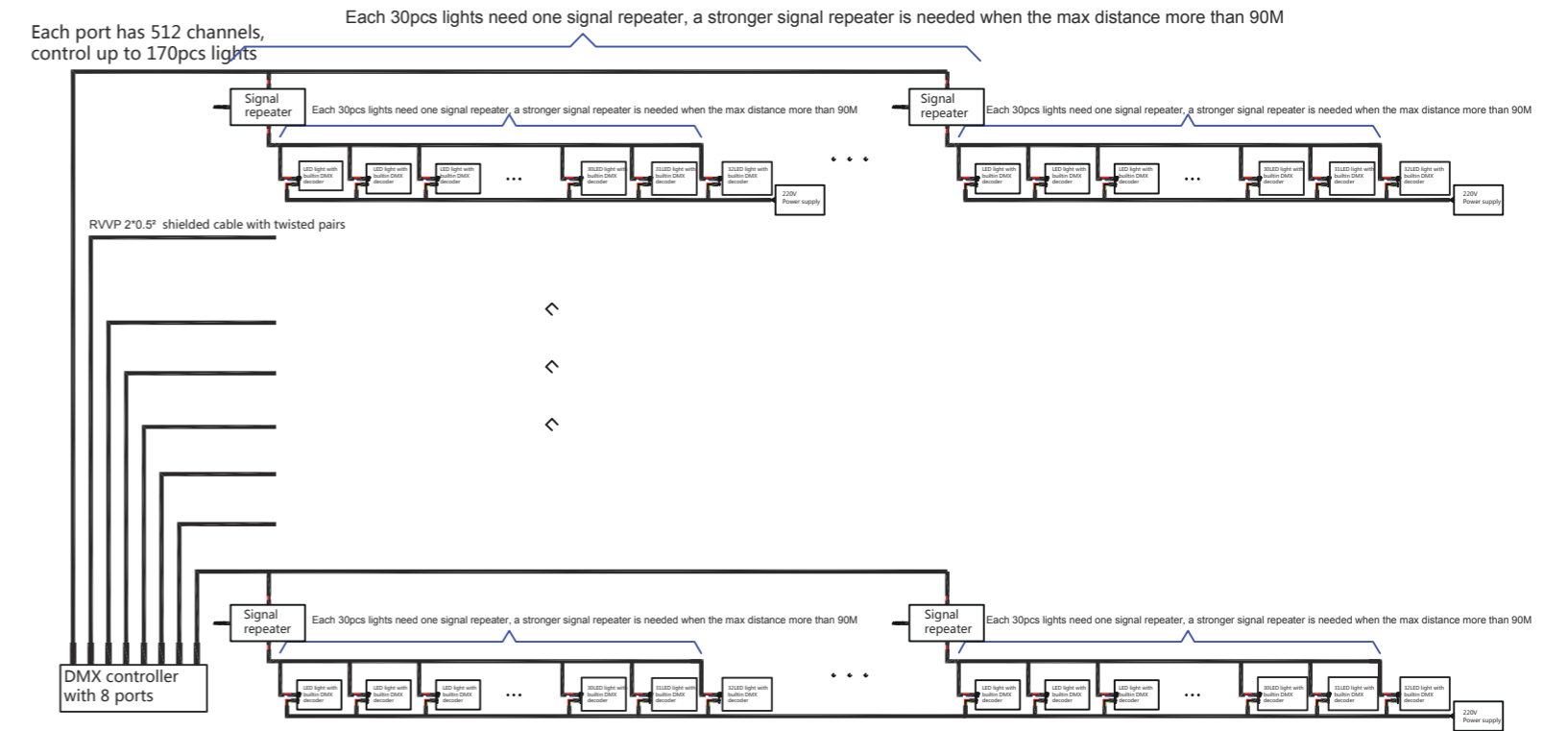


Model No.	Lamp	Luminous Flux(lm)	Power(w)	CCT(k)	Voltage
AVX5053.01	LED	1350	18	3000	100V~240V
AVX5053.08	LED	1500	18	4000	100V~240V

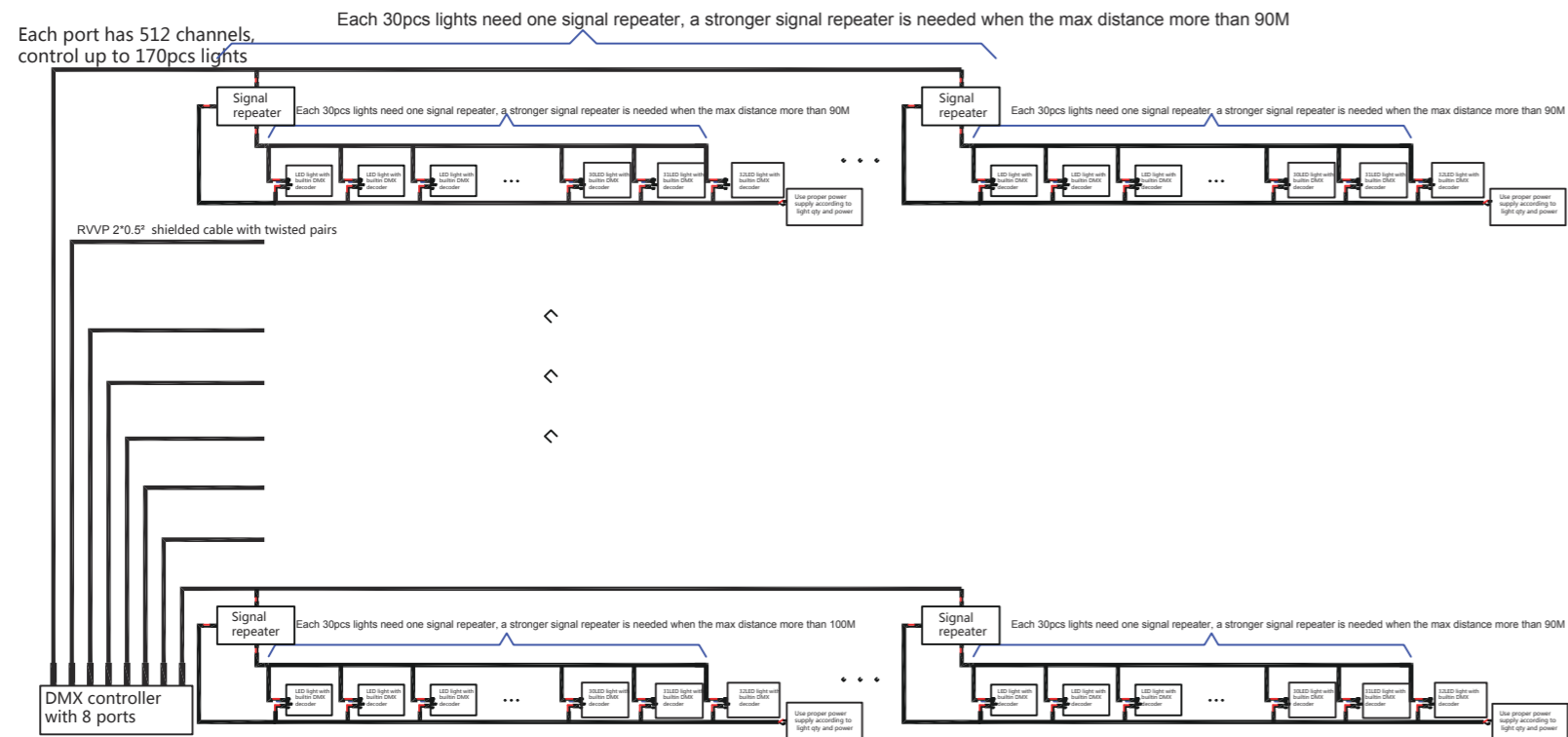
Control system diagram for 24V.DC light with single cable gland --- Built in DMX512 decoder



Control system diagram for 220V light with double cable glands --- Built in DMX512 decoder

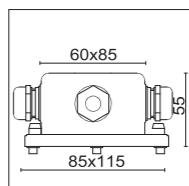


Control system diagram for 24V.DC light with double cable glands --- Built in DMX512 decoder

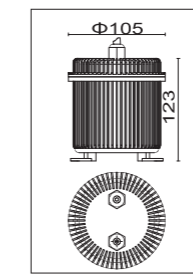
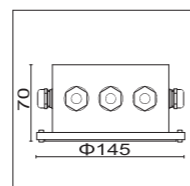




AVX101
Waterproof Stainless steel box
IP68
Imported silicon rubber ring
M16 cable gland max



AVX103
Waterproof Stainless steel box
IP68
Imported silicon rubber ring
Mounted with 10pcs M20 cable glands max

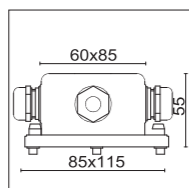


ETH13
● Waterproof transformer
● 12v/50AV
● IP68.....5m

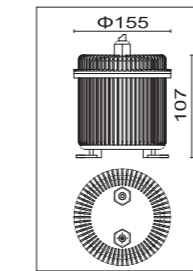
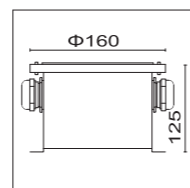
Specification VA	Number	Voltage(Pri/sec) V	Net Weight Kg	Lamp(max) W	Primary fuse AT
50	ETH13.00	230/11.5	1.7	50	0.25
100	ETH13.01	230/11.5	1.9	100	1.50
150	ETH13.02	230/11.5	2.5	150	0.70



AVX109
PP
IP68
Imported silicon rubber ring
M16 cable gland max



AVX104
Waterproof Stainless steel box
IP68
Imported silicon rubber ring
Mounted with 8pcs M20 cable glands max
12V/50W and 12V/100W transformer is capable to be fit in

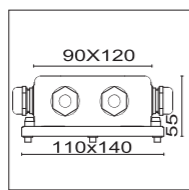


ETH14
● Waterproof transformer
● 12v/300AV
● IP68.....5m

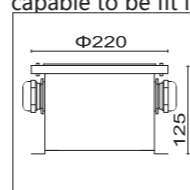
Specification VA	Number	Voltage(Pri/sec) V	Net Weight Kg	Lamp(max) W	Primary fuse AT
200	ETH14.00	230/11.5	3.0	200	0.9
300	ETH14.01	230/11.5	3.5	300	1.4
400	ETH14.02	230/11.5	4.5	400	1.9
200	ETH14.03	230/23.2	3.0	200	0.9
300	ETH14.04	230/23.2	3.5	300	1.4
400	ETH14.05	230/23.2	4.5	400	1.9



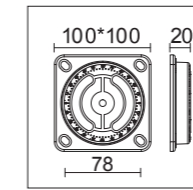
AVX102
Waterproof Stainless steel box
IP68
Imported silicon rubber ring
Mounted with 6pcs M20 cable glands max



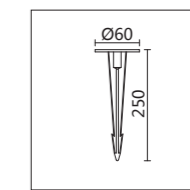
AVX105
Waterproof Stainless steel box
IP68
Imported silicon rubber ring
Mounted with 1pc M20 and 9pcs M16 cable glands max
12V/150W and 12V/300W transformer is capable to be fit in



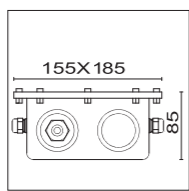
AVX701
Square mounting base
Die casting aluminum
Horizontal rotate



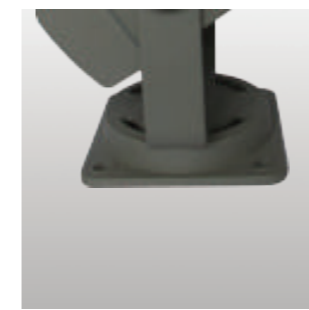
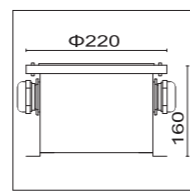
AVX602
Plastic spike
AVX603
Aluminum spike



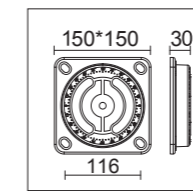
AVX108
Waterproof Stainless steel box
IP68
Imported silicon rubber ring
Mounted with 6pcs M20 cable glands max



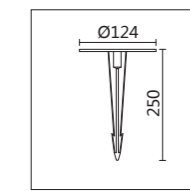
AVX106
Waterproof Stainless steel box
IP68
Imported silicon rubber ring
Mounted with 1pcs M20 cable glands max, and 9pcs M16 cable glands max



AVX702
Square mounting base
Die casting aluminum
Horizontal rotate

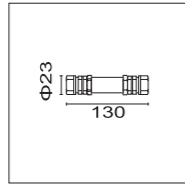


AVX604
Aluminum spike





AVX107
Plastic
M20 waterproof connector
IP68



Male plug
Plastic



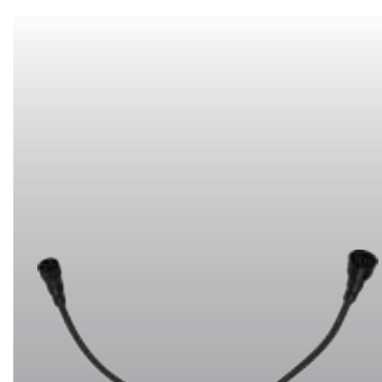
AVX114
Male and Female Plug
Plastic
IP68



Female plug
Plastic



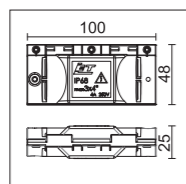
AVX115
T Connector
Plastic
IP68



Male and Female Plug
Plastic



AVX111
Connection Box
Plastic



AVX113
Connection Box
Die casting aluminum

